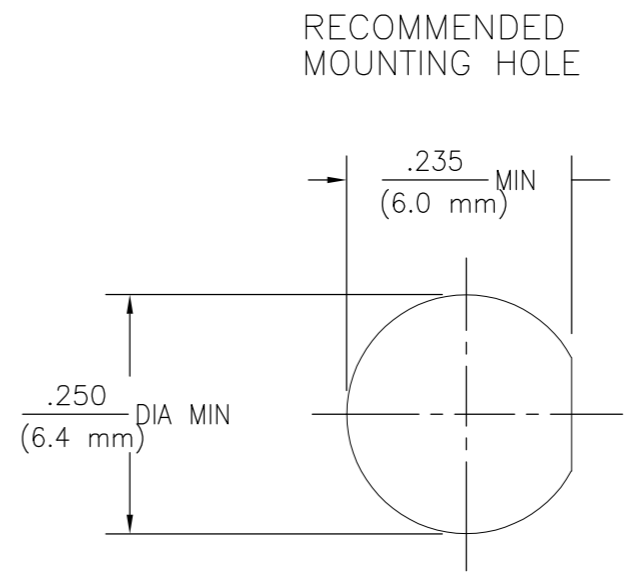
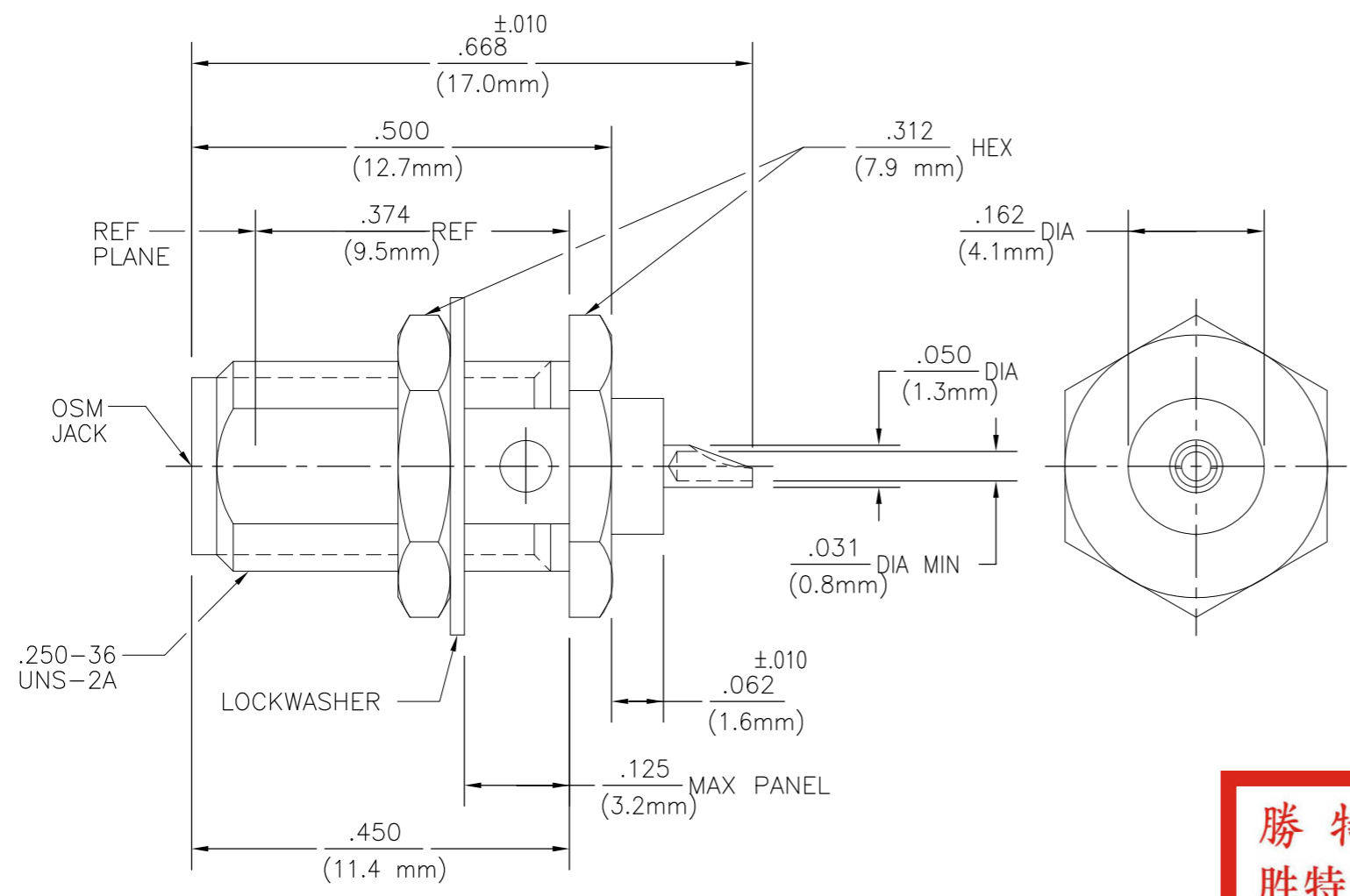


THIS DRAWING IS UNPUBLISHED. RELEASED FOR PUBLICATION  
 © COPYRIGHT BY TYCO ELECTRONICS CORPORATION. ALL INTERNATIONAL RIGHTS RESERVED.

LOC	DIST	REVISIONS					
		P	LTR	DESCRIPTION	DATE	DWN	APVD
HC	00		A	ECN 93-0104	08-03-93	AD	BB
			B	REVISED PER ECO-08-030676	26-02-09	AEG	JKO



- ① BRASS
- ② STAINLESS STEEL
- ③ BERYLLIUM COPPER
- ④ PTFE
- ⑤ GOLD PLATE

**勝特力材料 886-3-5753170**  
**勝特力电子(上海) 86-21-34970699**  
**勝特力电子(深圳) 86-755-83298787**  
[Http://www.100y.com.tw](http://www.100y.com.tw)

ELECTRICAL	MECHANICAL	ENVIRONMENTAL
Nominal Impedance (Ohms) <u>50</u>	Interface Dimensions MIL-STD-348A, Fig. 310.2	TEMPERATURE RATING <u>-65°C TO 125°C</u>
Frequency Range (GHz) DC to <u>18.0</u>	Recommended Mating Torque <u>7 to 10</u>	Vibration MIL-STD-202, Method 204, Condition D
Volt Rating (VRMS MAX) @ Sea Level <u>335</u>	Mating Characteristics:	Shock MIL-STD-202, Method 213, Condition I
VSWR <u>N/A</u>	Insertion (MAX Lbs) <u>3.0</u>	Thermal Shock MIL-STD-202, Method 107, Condition B, EXCEPT HIGH TEMP +115°C
Insertion Loss (dB MAX) <u>N/A</u>	Withdrawal (MIN Oz) <u>1.0</u>	Moisture Resistance MIL-STD-202, Method 106, Except Vibration Shall Be Omitted
RF Leakage (dB MIN) <u>N/A</u>	Force to Engage and Disengage (In-Lbs MAX) <u>2.0</u>	Corrosion - MIL-STD-202, Method 101, Condition B, 5% salt spray
Dielectric Withstanding Voltage (VRMS MIN) @ Sea Level <u>1000</u>	Center Contact Captivation Axial (Lbs) <u>6.0</u>	
Contact Resistance (Milliohms MAX) Center Contact <u>2.0</u>	Radial (In-Oz) <u>4.0</u>	
Outer Contact <u>2.0</u>	Cable Retention Axial Force (Lbs) <u>N/A</u>	
Cable to Housing <u>N/A</u>	Torque (In-Oz) <u>N/A</u>	
RF High Potential @ Sea Level (VRMS MIN @ 5 MHz) <u>670</u>	Weight (Grams) <u>TBD</u>	
I.R.(Megohms MIN) <u>10,000</u>		

①⑤	①⑤	②⑤	④	③⑤	1053072-3
②⑤	②⑤	②⑤	④	③⑤	1053072-1
HOUSING	MOUNTING NUT	LOCKWASHER	DIELECTRIC	CONTACT	TE PN

THIS DRAWING IS A CONTROLLED DOCUMENT.		DWN B.W.C. 6/6/67	Tyco Electronics Tyco Electronics Corporation Harrisburg, PA 17105-3608	
DIMENSIONS: INCHES		CHK P.R.B. 5/9/68	NAME OSM BULKHEAD FEEDTHRU JACK RECEPTACLE SOLDER POT TERMINAL	
TOLERANCES UNLESS OTHERWISE SPECIFIED:		APVD P.E.G. 6/5/68	PRODUCT SPEC	
0 PLC ± -		APPLICATION SPEC		
1 PLC ± -		WEIGHT -		
2 PLC ± -		SIZE A3		
3 PLC ± .005		CAGE CODE 00779		
4 PLC ± -		DRAWING NO C-1053072		
ANGLES ± 1'		RESTRICTED TO -		
MATERIAL -		CUSTOMER DRAWING		
FINISH -		SCALE 5:1		
		SHEET 1 OF 1		
		REV B		