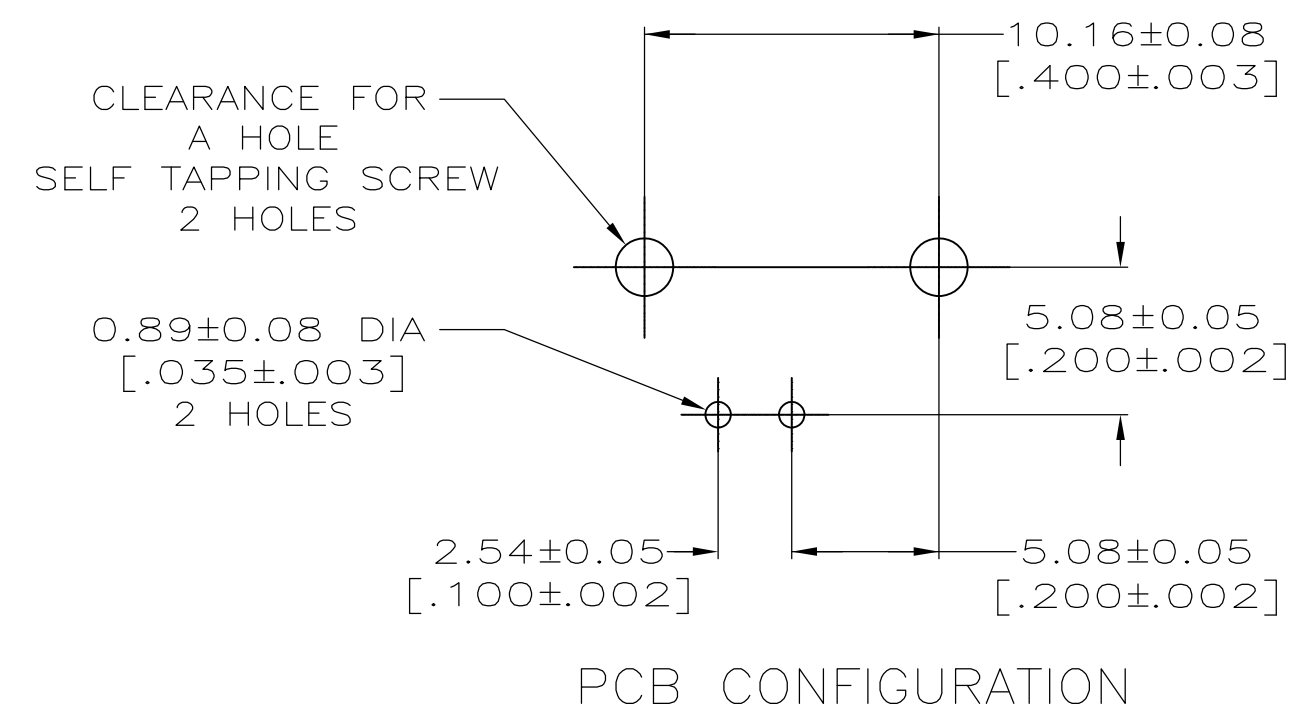
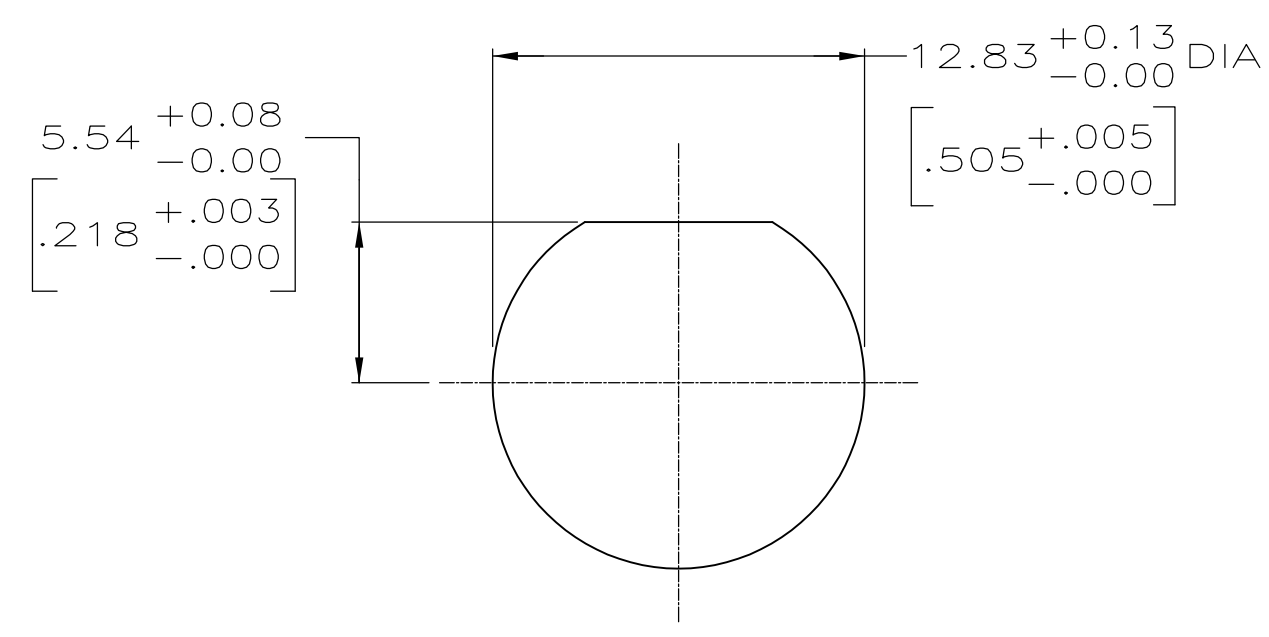
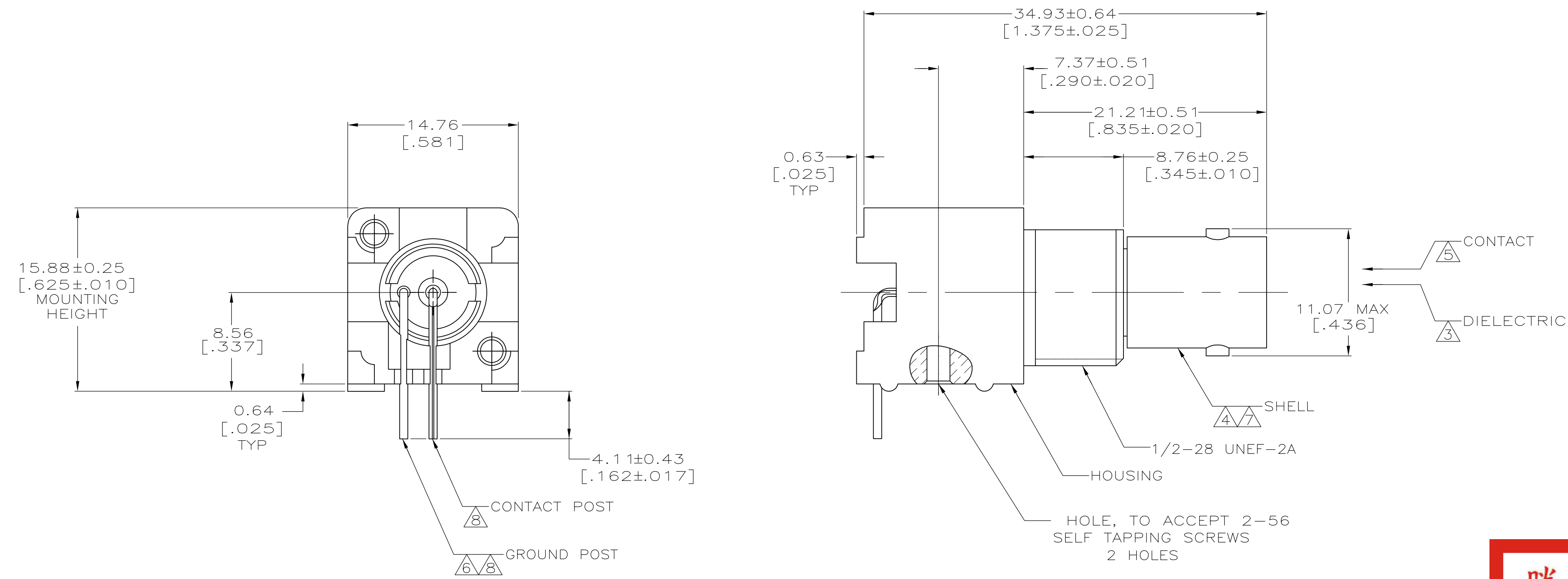


LOC	DIST	REVISIONS			
P	LR	DESCRIPTION	DATE	DRN	APPD
AJ	16	B1	REVISED PER ECO-11-005030	11MAR11	RK HMR

- ① POLYESTER PBT PER MIL-M-24519, TYPE GPT-15F, UL94V-O RATED, COLOR:NATURAL
 - ② POLYESTER PBT PER MIL-M-24519, TYPE GPT-15F, UL94V-O RATED, COLOR:BLACK
 - ③ POLYMETHYLPENTENE, GENERAL PURPOSE.
 - ④ ZINC PER QQ-Z-363.
 - ⑤ PHOSPHOR BRONZE PER QQ-B-750.
 - ⑥ BRASS PER ASTM-B-453.
 - ⑦ NICKEL PLATE PER QQ-N-290, 3.81 μm [.000150] MINIMUM THICK.
 - ⑧ TIN PLATE PER ASTM-B-545, 3.81 μm [.000150] MINIMUM THICK.
 - ⑨ GOLD PLATE PER MIL-G-45204, 0.76 μm [.000030] MINIMUM THICK.
10. SEE INSTRUCTION SHEET 408-2769.



勝特力材料 886-3-5753170
勝特力电子(上海) 86-21-34970699
勝特力电子(深圳) 86-755-83298787
[Http://www.100y.com.tw](http://www.100y.com.tw)

CONTACT PLATING	HOUSING MATERIAL	PART NUMBER
⑨	①	5226990-6
⑨	①	5226990-3
⑧	①	5226990-1

THIS DRAWING IS A CONTROLLED DOCUMENT.		DRN: L. VARELA - DOCKS 20APR2005	CHK: J. HAVENER 20APR2005	APVD: S. BURKHOLDER 20APR2005	NAME: JACK, PANEL, RIGHT ANGLE, 50 OHM, PCB, SERIES BNC
DIMENSIONS: mm [INCHES]	TOLERANCES UNLESS OTHERWISE SPECIFIED:	PRODUCT SPEC: 108-12078		APPLICATION SPEC:	SIZE: A1
0 PLC ± -	1 PLC ± -	2 PLC ± 0.20 [008]	3 PLC ± -	4 PLC ± -	CAGE CODE: 00779
MATERIAL: 1 THRU 6	FINISH: 7 THRU 9	WEIGHT: -	CUSTOMER DRAWING	SCALE: 4:1	SHEET 1 OF 1 REV B1