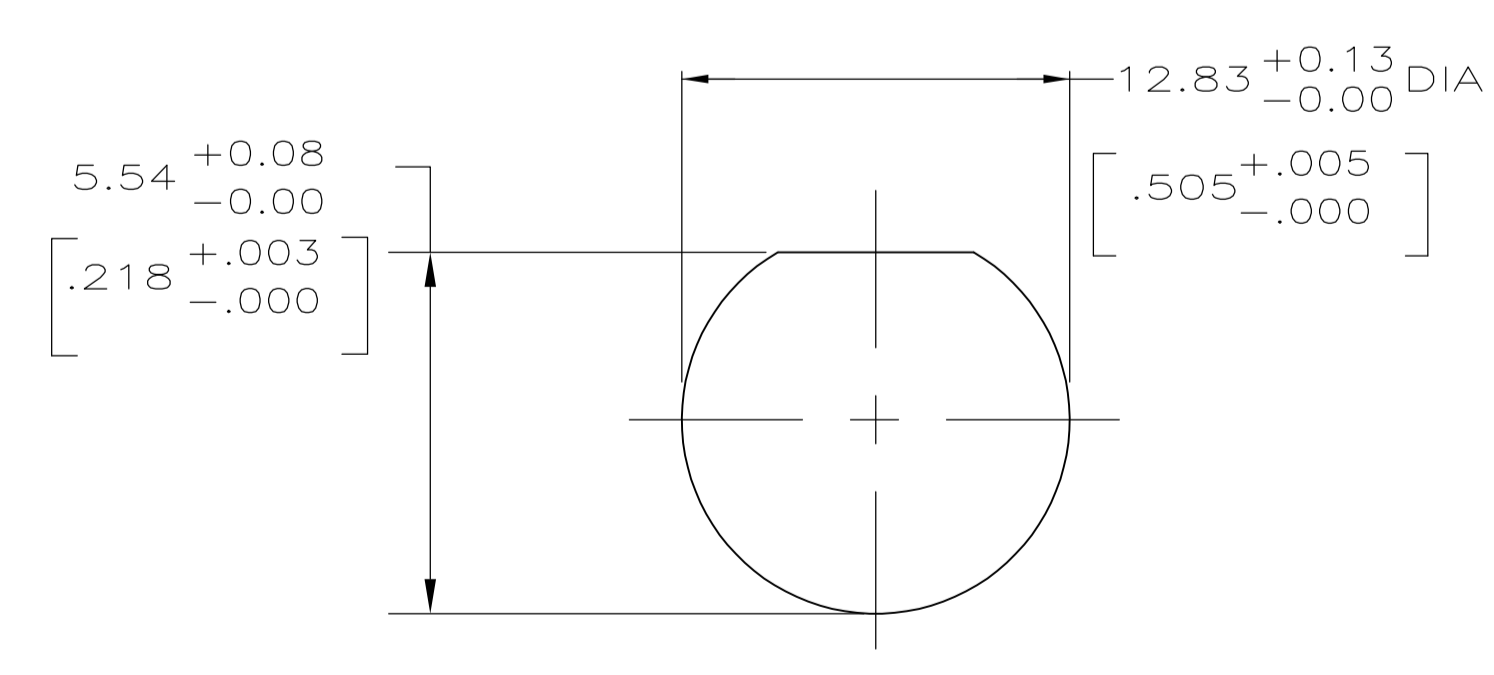
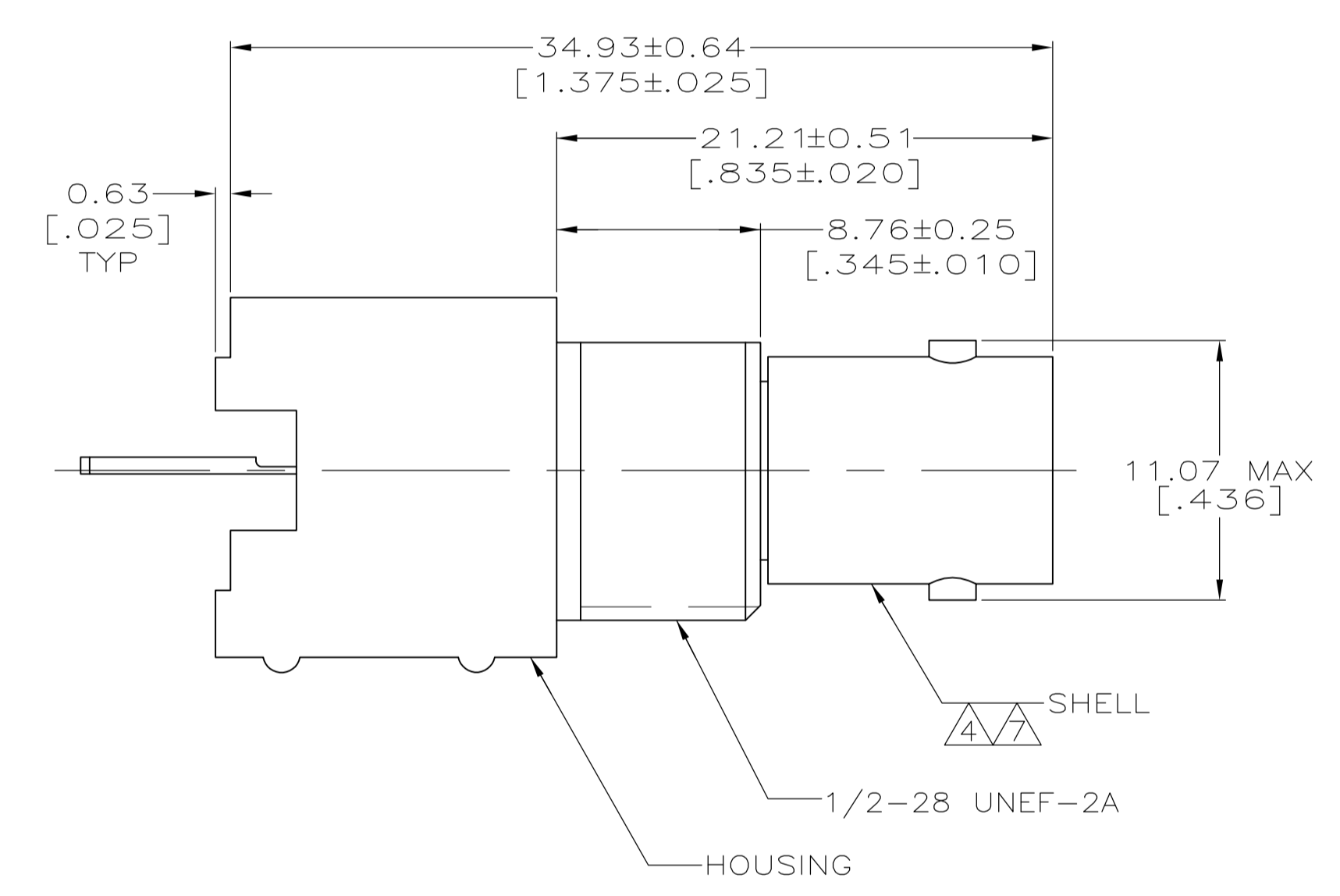
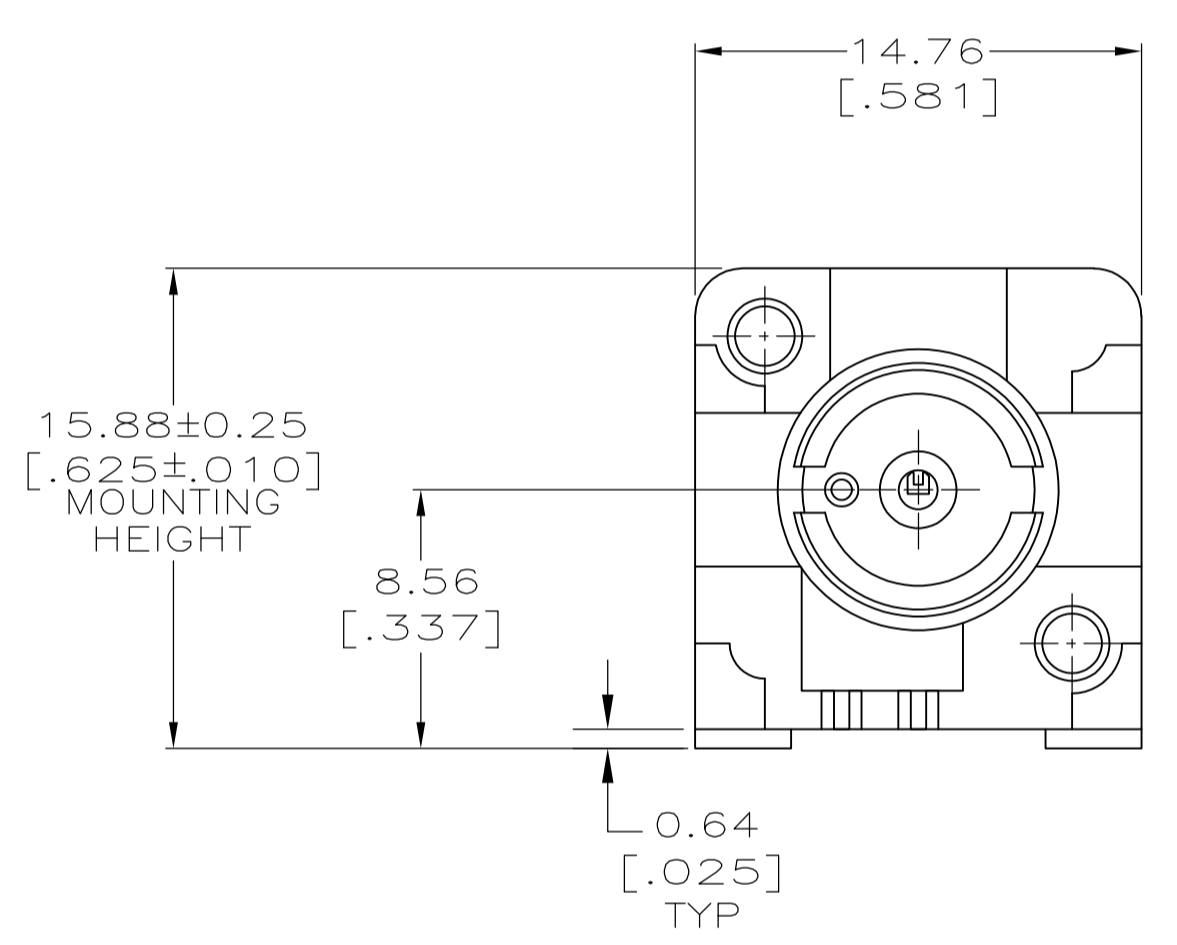
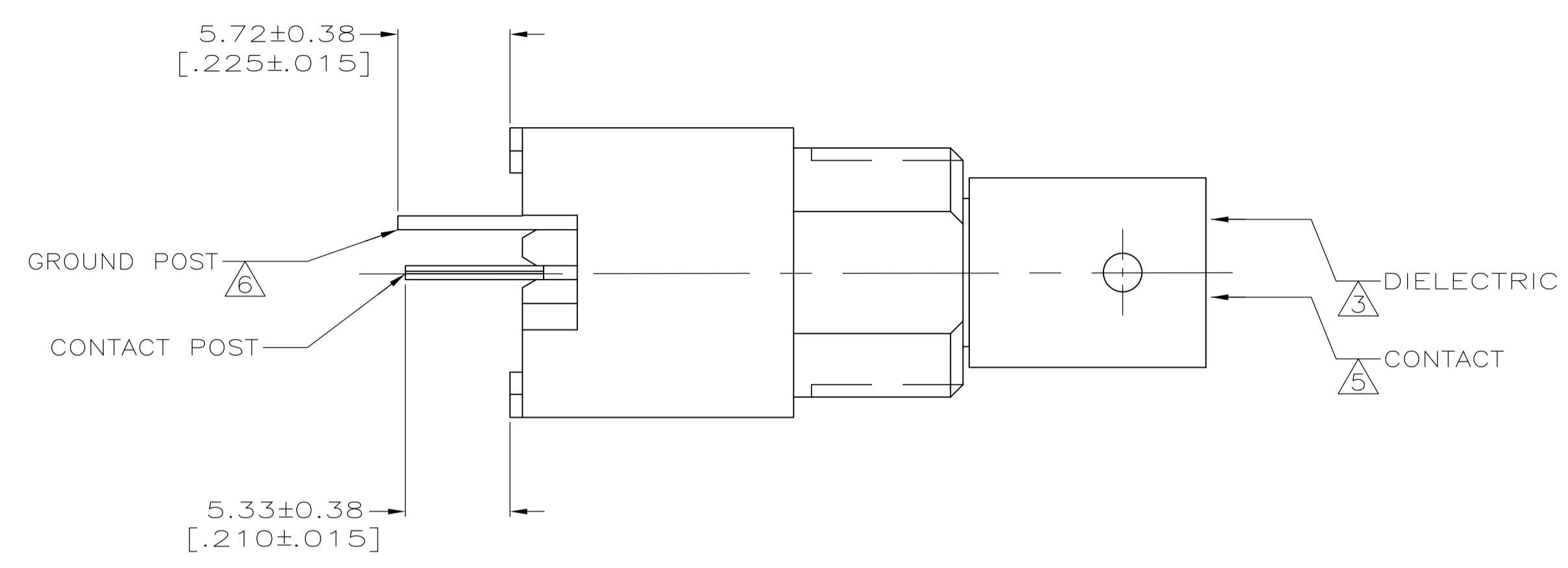
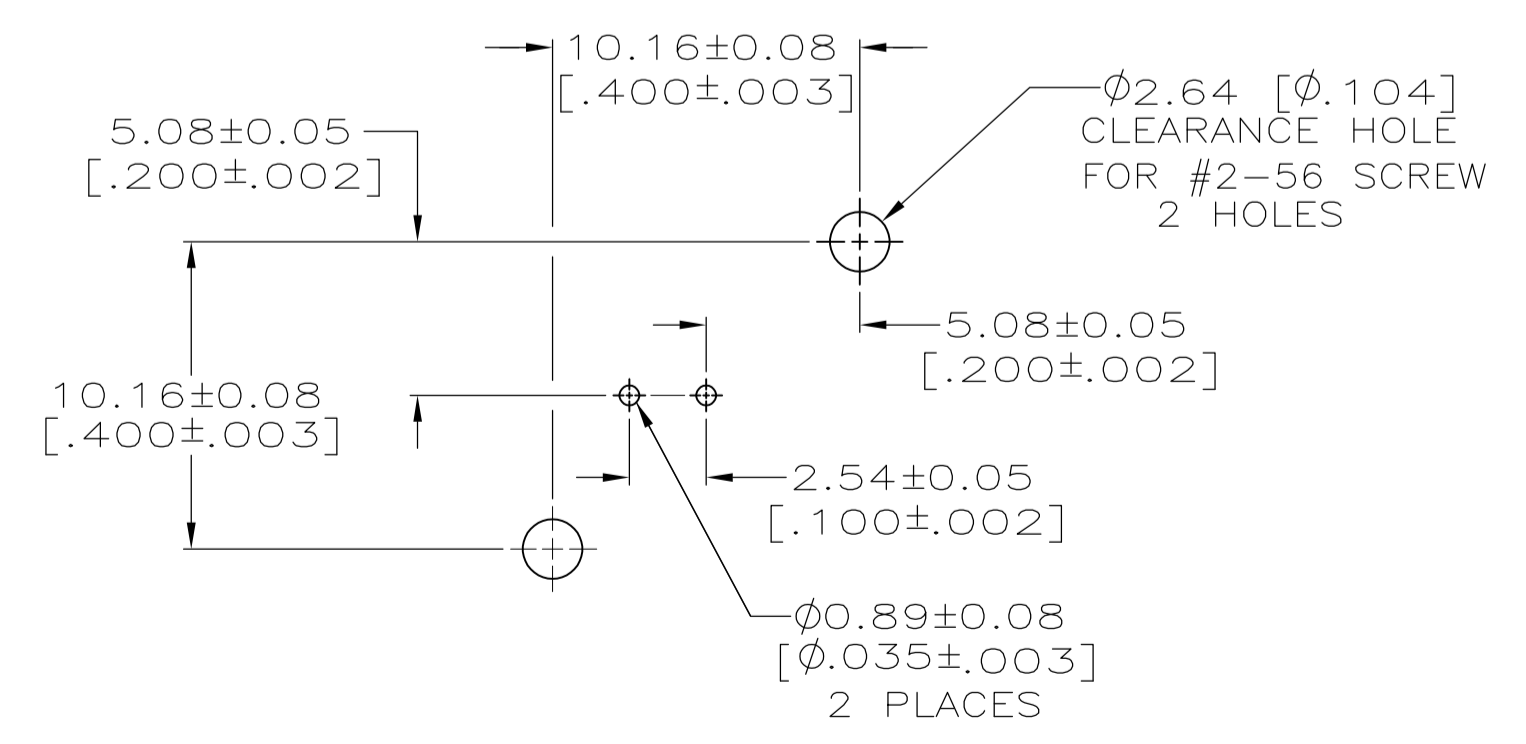


LOC	DIST	REVISIONS			
P	LTR	DESCRIPTION	DATE	DWN	APVD
AJ	16	B1	REVISED PER ECO-11-005030	11MAR11	RK HMR

- 1. POLYESTER PBT PER MIL-M-24519, TYPE GPT-15F, UL94V-0 RATED, COLOR:NATURAL
- 2. POLYESTER PBT PER MIL-M-24519, TYPE GPT-15F, UL94V-0 RATED, COLOR:BLACK
- 3. POLYMETHYLPENTENE, GENERAL PURPOSE.
- 4. ZINC PER QQ-Z-363.
- 5. PHOSPHOR BRONZE PER QQ-B-750.
- 6. BRASS PER ASTM-B-453.
- 7. NICKEL PLATE PER QQ-N-290, 3.81 μ m [.000150] MINIMUM THICK.
- 8. TIN PLATE PER ASTM-B-545, 3.81 μ m [.000150] MINIMUM THICK.
- 9. GOLD PLATE PER MIL-G-45204, 0.76 μ m [.000030] MINIMUM THICK.
- 10. SEE INSTRUCTION SHEET 408-2769.



RECOMMENDED PANEL CUTOUT



PCB CONFIGURATION

勝特力材料 886-3-5753170
勝特力电子(上海) 86-21-34970699
勝特力电子(深圳) 86-755-83298787
[Http://www.100y.com.tw](http://www.100y.com.tw)

5226993-6	5226993-3	5226993-2	5226993-1
GROUND POST PLATING	CONTACT POST PLATING	CONTACT PLATING	HOUSING MATERIAL
PART NUMBER			

THIS DRAWING IS A CONTROLLED DOCUMENT.		DIN J. ALCORTA - 25APR2005		TE Connectivity	
DIMENSIONS: mm (INCHES)		DOCK 5 25APR2005			
TOLERANCES UNLESS OTHERWISE SPECIFIED:		APVD J. HAVENER 25APR2005		NAME	
0 PLC ± -		PRODUCT SPEC		JACK, VERTICAL, 50 OHM, PCB, SERIES BNC	
1 PLC ± -		APPLICATION SPEC		108-12078	
2 PLC ± 0.20 [.008]		SIZE		CAGE CODE	
3 PLC ± -		DRAWING NO		RESTRICTED TO	
4 PLC ± -		A1 00779		5226993	
ANGLES ± -		WEIGHT		SCALE	
MATERIAL		CUSTOMER DRAWING		SHEET 1 OF 1	
FINISH		SCALE 2:1		REV B1	