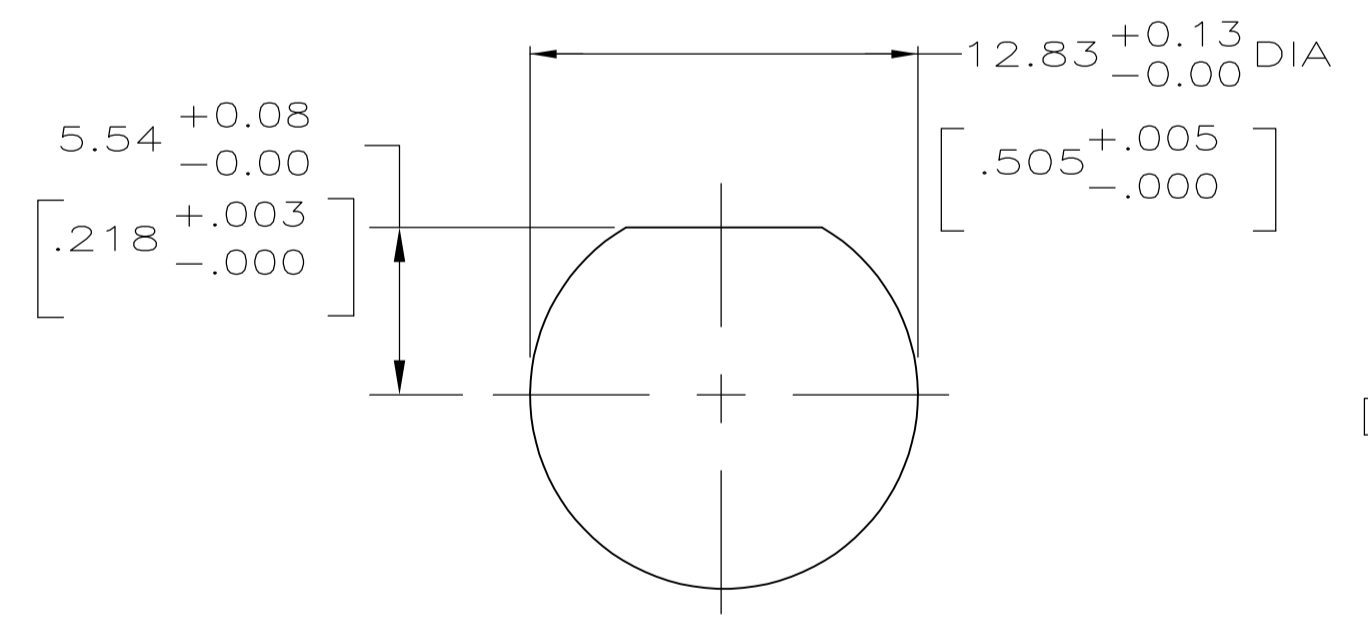
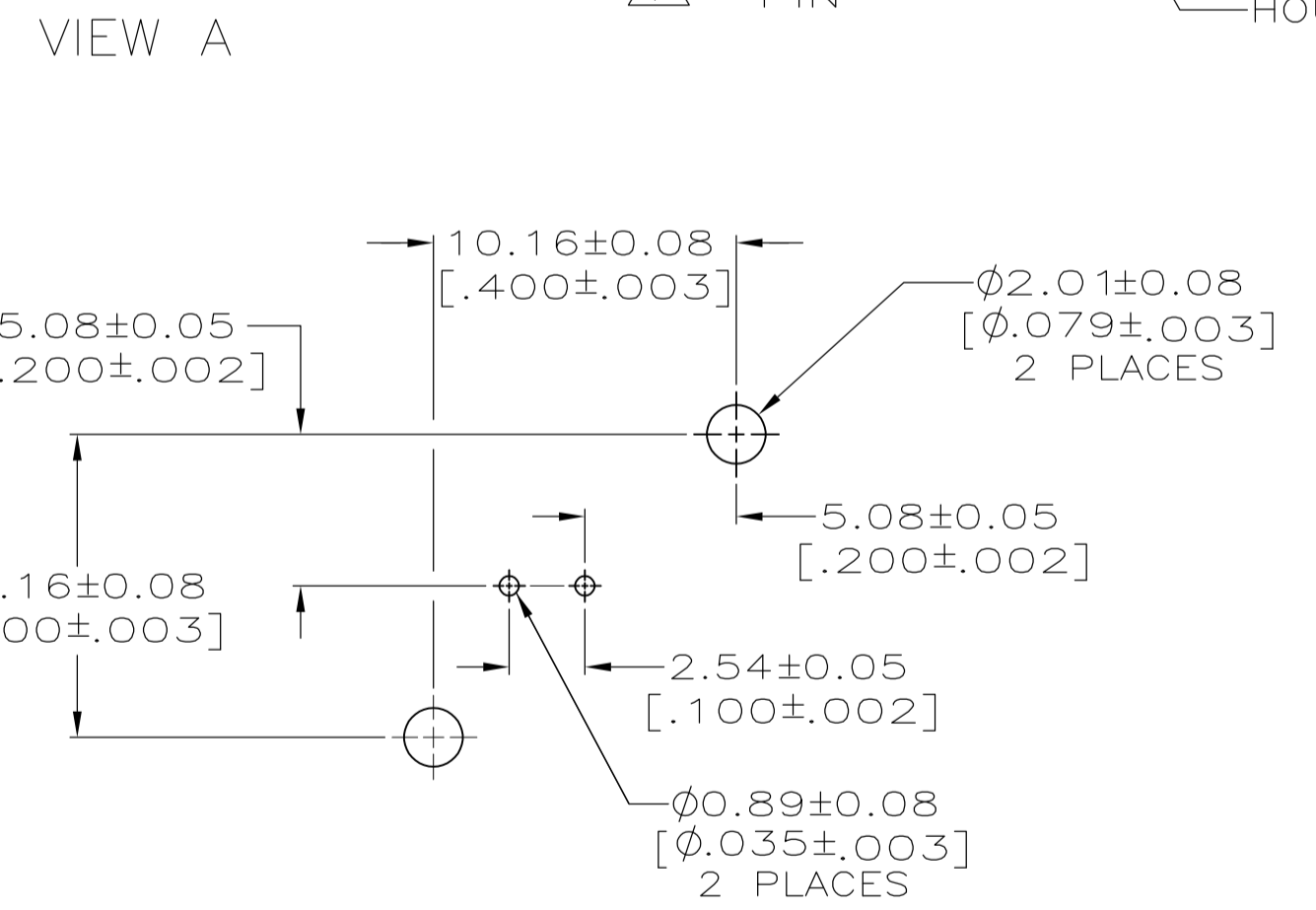
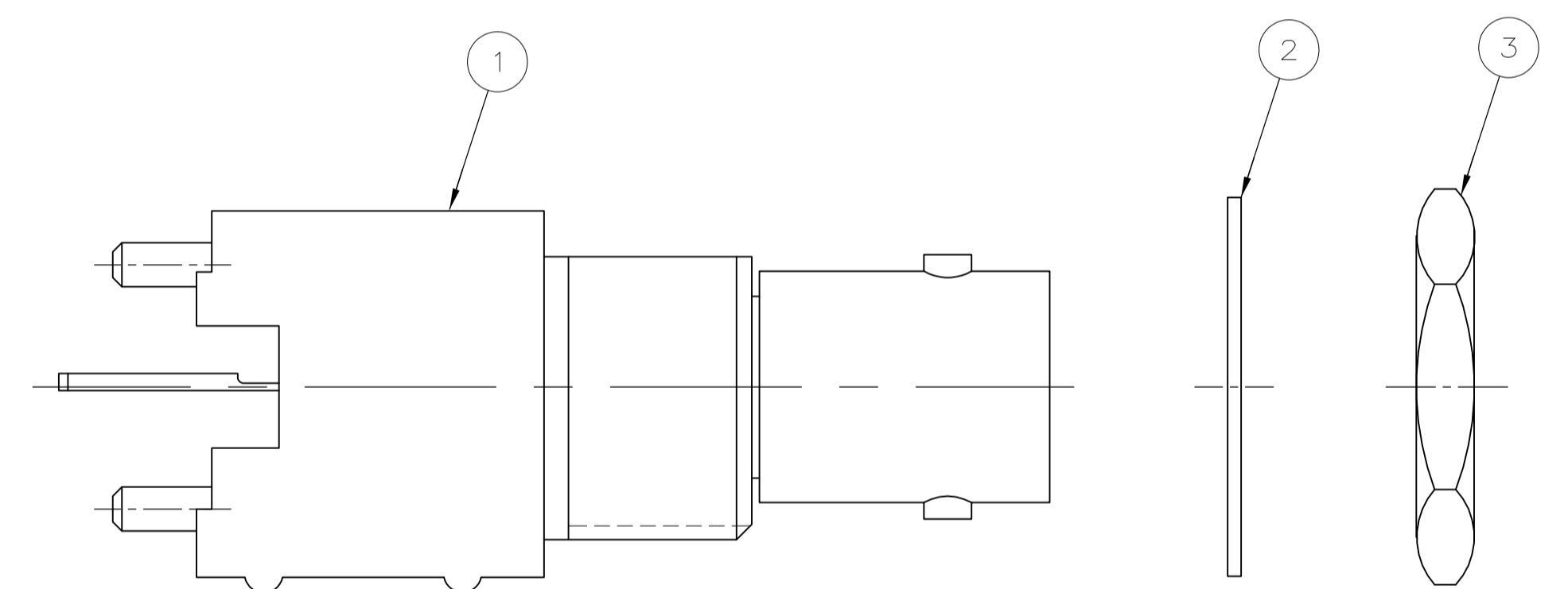
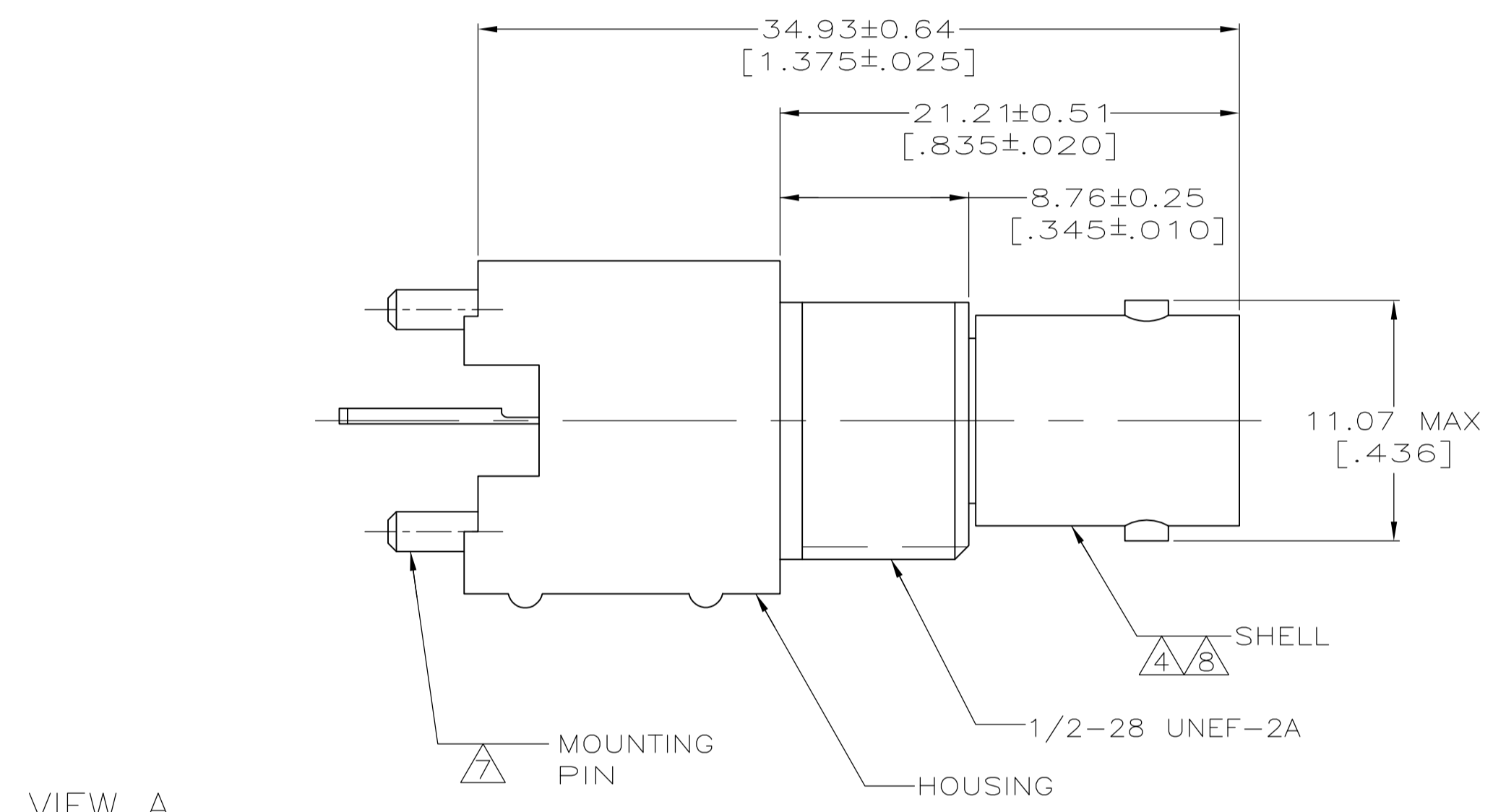
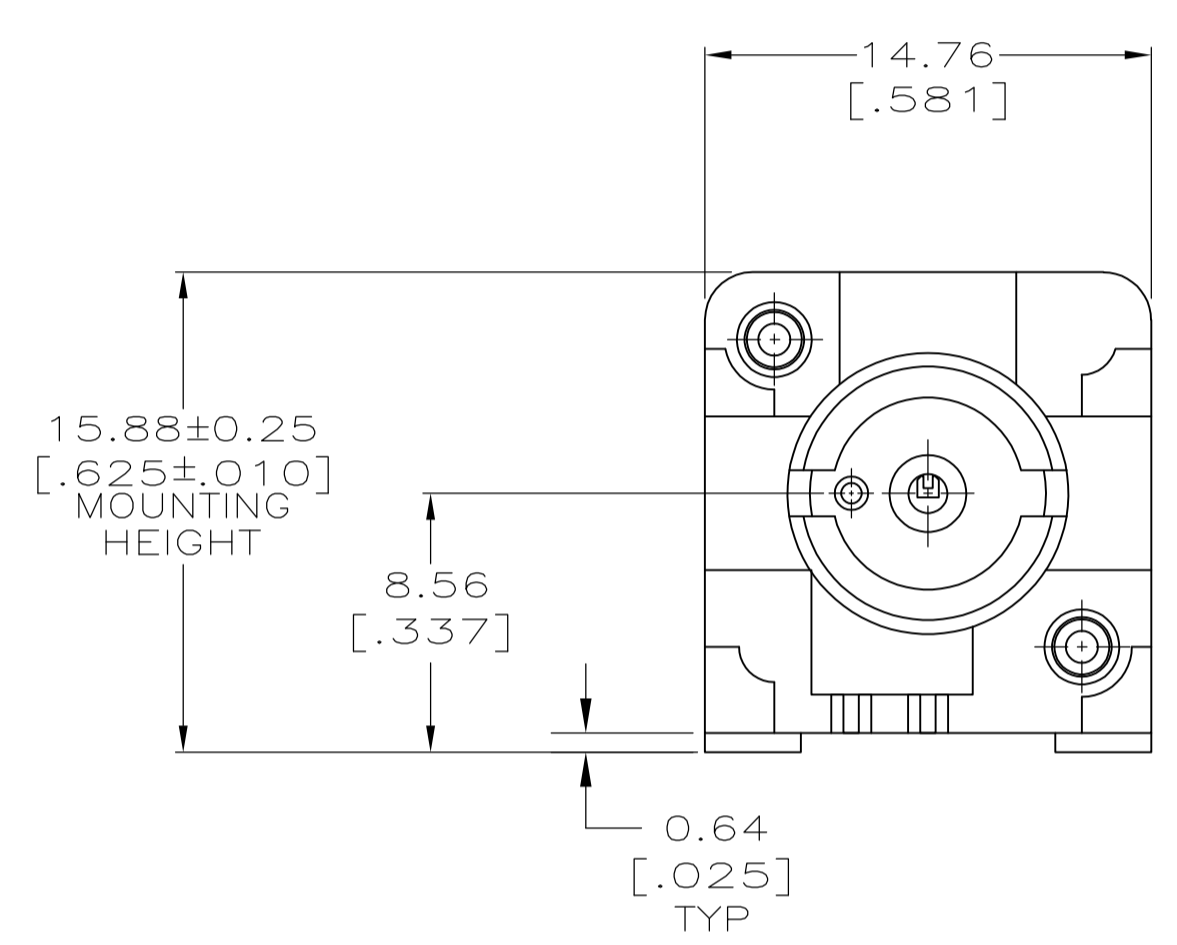


- ① POLYESTER PBT PER MIL-M-24519, TYPE GPT-15F, UL94V-O RATED, COLOR: NATURAL
- ② POLYESTER PBT PER MIL-M-24519, TYPE GPT-15F, UL94V-O RATED, COLOR: BLACK
- ③ POLYMETHYLPENTENE, GENERAL PURPOSE.
- ④ ZINC PER QQ-Z-363.
- ⑤ PHOSPHOR BRONZE PER QQ-B-750.
- ⑥ BRASS PER ASTM-B-453.
- ⑦ BRASS PER ASTM-B-16.
- ⑧ NICKEL PLATE PER QQ-N-290, 3.81 μm [.000150] MINIMUM THICK.
- ⑨ TIN PLATE PER ASTM-B-545, 3.81 μm [.000150] MINIMUM THICK.
- ⑩ GOLD PLATE PER MIL-C-45204, 0.76 μm [.000030] MINIMUM THICK.
- 11. SEE INSTRUCTION SHEET 408-2769.



**勝特力材料 886-3-5753170**  
**勝特力电子(上海) 86-21-34970699**  
**勝特力电子(深圳) 86-755-83298787**  
[Http://www.100y.com.tw](http://www.100y.com.tw)

3.48 [.137]	⑥	⑥	⑥	⑥	⑥	B	1-329631-2	1-329632-2	5227222-6	5227222-9
3.48 [.137]	⑥	⑥	⑥	⑥	⑥	A	-	-	-	5227222-6
3.48 [.137]	⑥	⑥	⑥	⑥	⑥	A	-	-	-	5227222-3
3.48 [.137]	⑥	⑥	⑥	⑥	⑥	A	-	-	-	5227222-2
3.48 [.137]	⑥	⑥	⑥	⑥	⑥	A	-	-	-	5227222-1
C	MOUNTING PIN PLATING	GROUND POST PLATING	CONTACT POST PLATING	CONTACT PLATING	HOUSING MATERIAL	VIEW	③ JAM NUT QTY=1	② LOCKWASHER QTY=1	① ASSEMBLY QTY=1	PART NUMBER

THIS DRAWING IS A CONTROLLED DOCUMENT.

DIMENSIONS: mm (INCHES)	TOLERANCES UNLESS OTHERWISE SPECIFIED:	DIN J. ALCORTA - 26APR2005	DOCK5 - 26APR2005
0 PLC ± -	1 PLC ± -	APVD J. HAVENER	NAME
2 PLC ± 0.20 [.008]	3 PLC ± -	J. LIPPERT	PRODUCT SPEC
4 PLC ± -	ANGLES ± -	108-12078	APPLICATION SPEC
MATERIAL	FINISH	SIZE	CAGE CODE
		A1	00779
		WEIGHT	DRAWING NO
			5227222
		CUSTOMER DRAWING	SCALE
			4:1
		SHEET	1 OF 1
		REV	B1

**STE** TE Connectivity  
 JACK, VERTICAL, 50 OHM, PCB, SERIES BNC