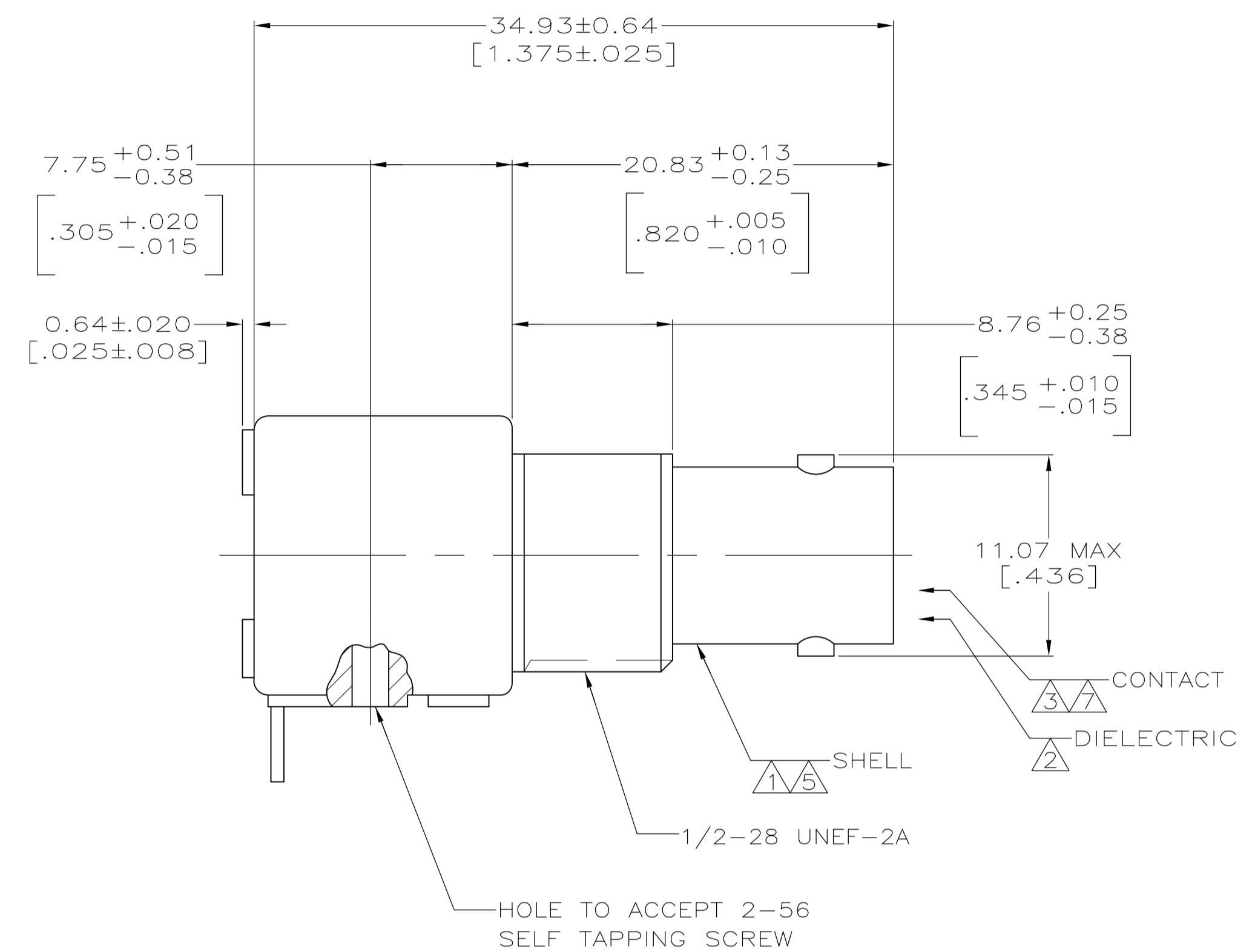
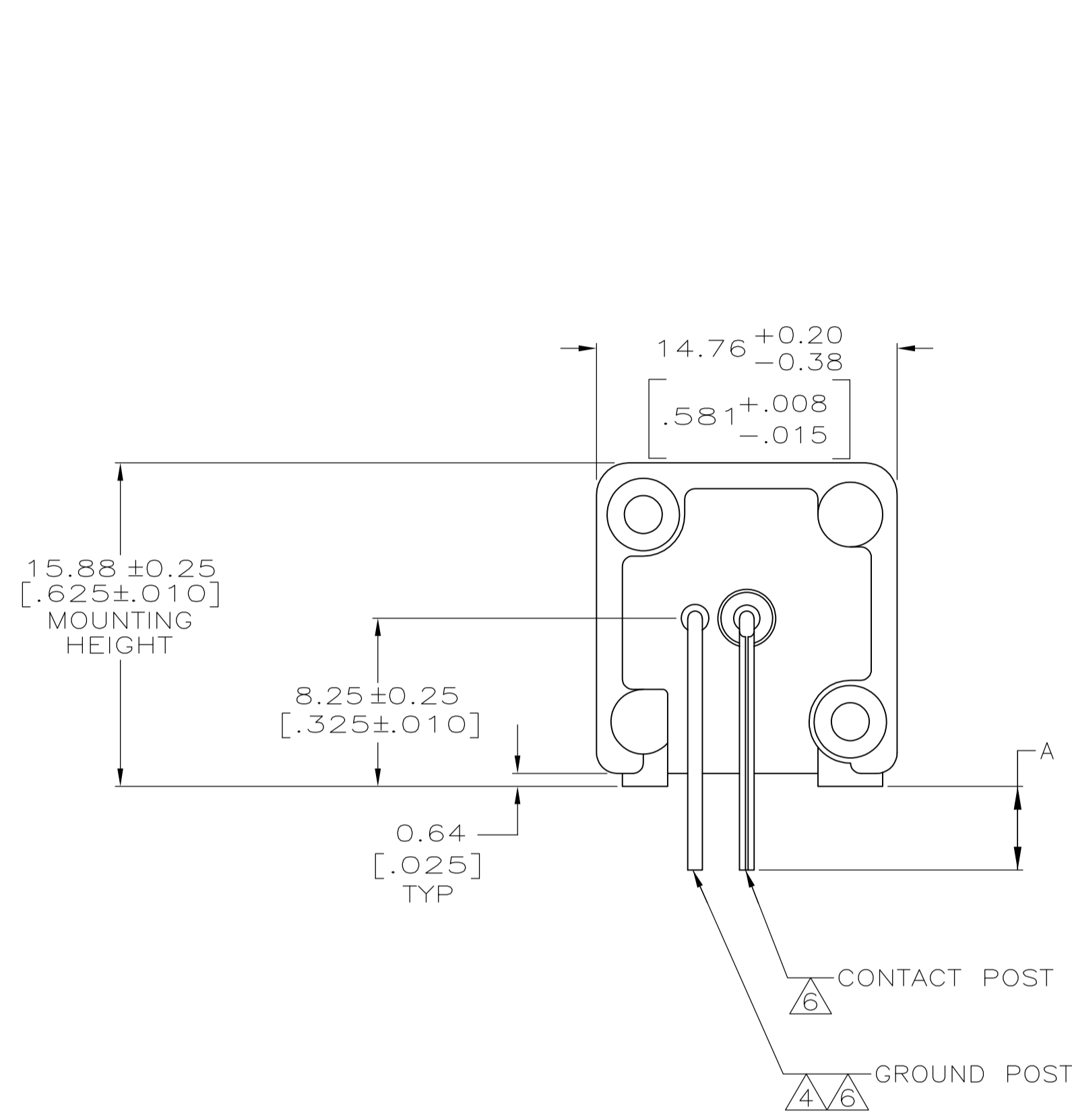
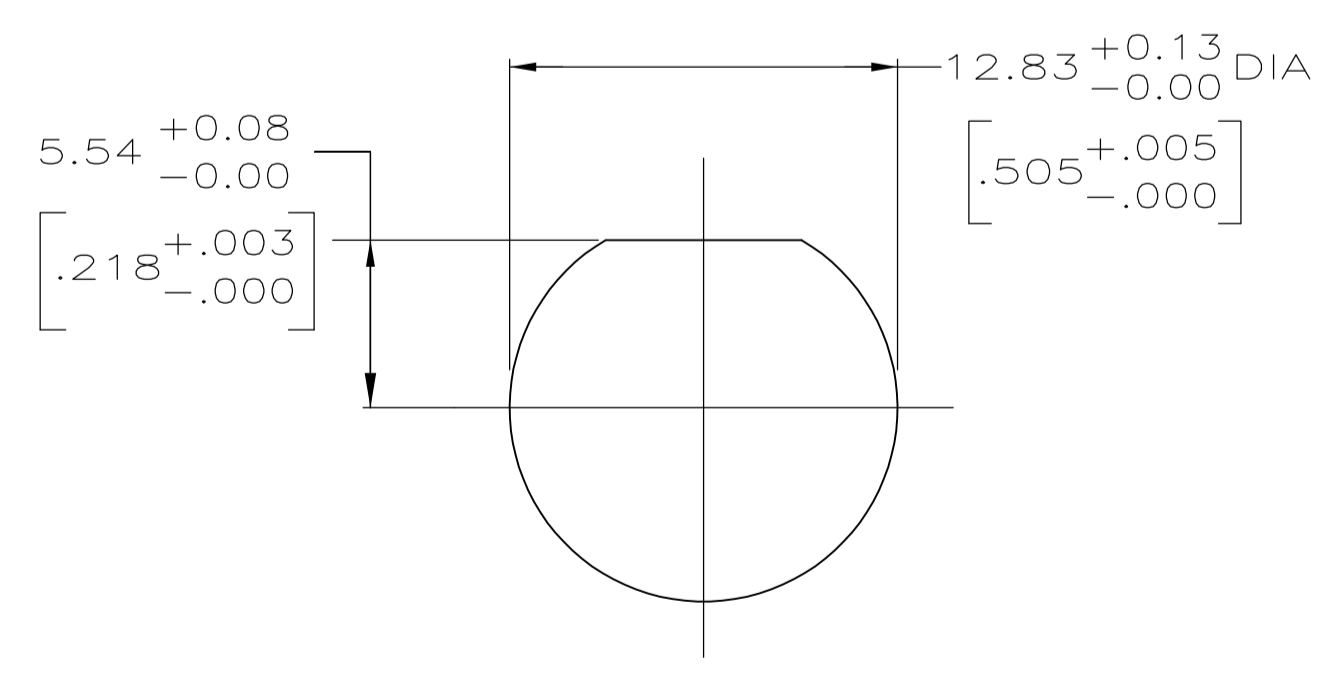


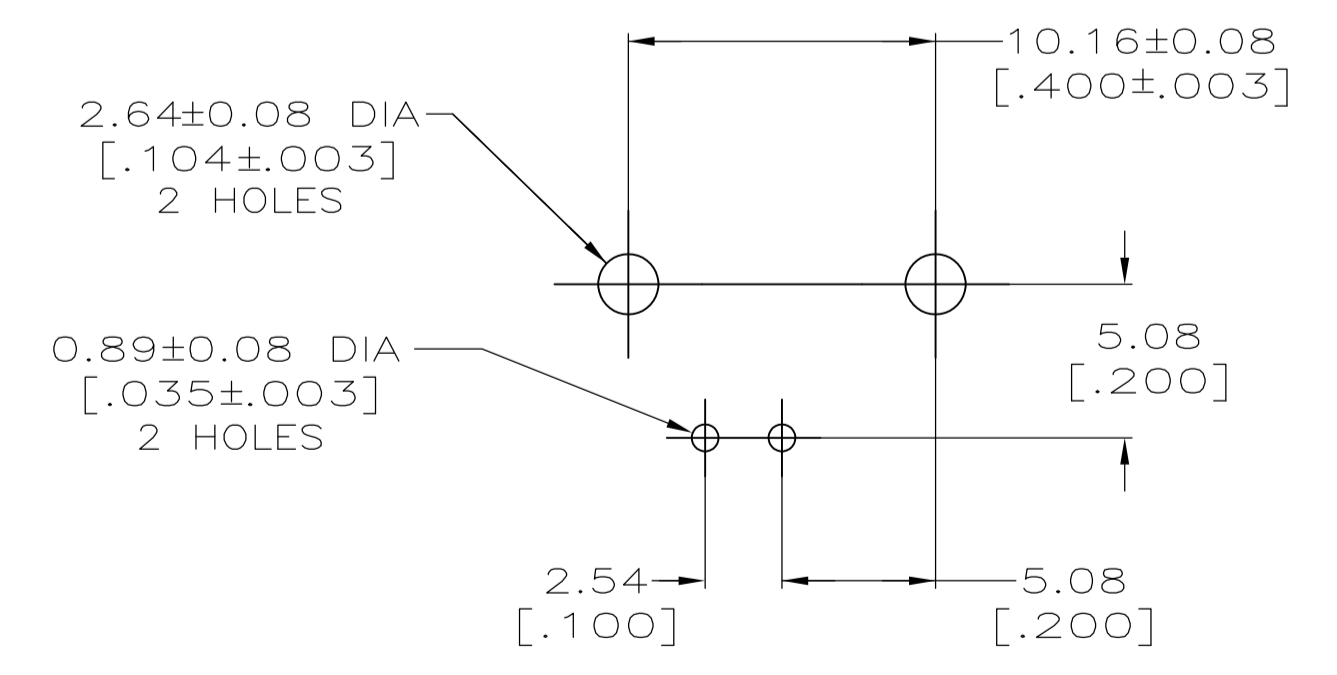
LOC	DIST	REVISIONS				
		REV	DESCRIPTION	DATE	BY	APPV
AJ	16	A	REVISED PER EC OS14-0150-05	30AUG05	BM	JL
		A1	REVISED PER ECO-10-000444	31OCT09	KK	AEG



- 1 ZINC PER QQ-Z-363.
- 2 POLYMETHYLPENTENE, GENERAL PURPOSE.
- 3 PHOSPHOR BRONZE PER QQ-B-750.
- 4 BRASS PER ASTM-B-453.
- 5 NICKEL PLATE PER QQ-N-290, 3.81µm [.000150] MINIMUM THICK.
- 6 TIN PLATE PER ASTM-B-545, 3.81µm [.000150] MINIMUM THICK.
- 7 GOLD PLATE PER ASTM-B-488, 0.76µm [.000030] MINIMUM THICK.
- 8. SEE INSTRUCTION SHEET 408-2769.
- 9 OBSOLETE PARTS: OBSOLETE CIS STREAMLINING PER D.RENAUD/D.SINISI



RECOMMENDED PANEL CUTOUT



PCB CONFIGURATION

勝特力材料 886-3-5753170
勝特力电子(上海) 86-21-34970699
勝特力电子(深圳) 86-755-83298787
[Http://www.100y.com.tw](http://www.100y.com.tw)

OBSOLETE	2.79 ±0.25 [.110 ±.010]	5227676-2
	4.11 ±0.43 [.162 ±.017]	5227676-1
A		PART NUMBER

THIS DRAWING IS A CONTROLLED DOCUMENT.		DIN L VARELA - DOCK 20APR2005 CHK J HAVENER 20APR2005 APVD J LIPPERT 20APR2005		Tyco Electronics Corporation Harrisburg, Pa 17105-3608	
DIMENSIONS: mm [INCHES] TOLERANCES UNLESS OTHERWISE SPECIFIED: 0 PLC ± - 1 PLC ± - 2 PLC ± 0.05 [.002] 3 PLC ± - 4 PLC ± - ANGLES ± -		NAME: JACK, RIGHT ANGLE, PCB 50 OHM, SERIES BNC PRODUCT SPEC: 108-12078 APPLICATION SPEC:		SIZE: A1 CAGE CODE: 00779 DRAWING NO: 5227676 RESTRICTED TO:	
MATERIAL: FINISH:		WEIGHT: SCALE: 4:1		SHEET 1 OF 1 REV A1	