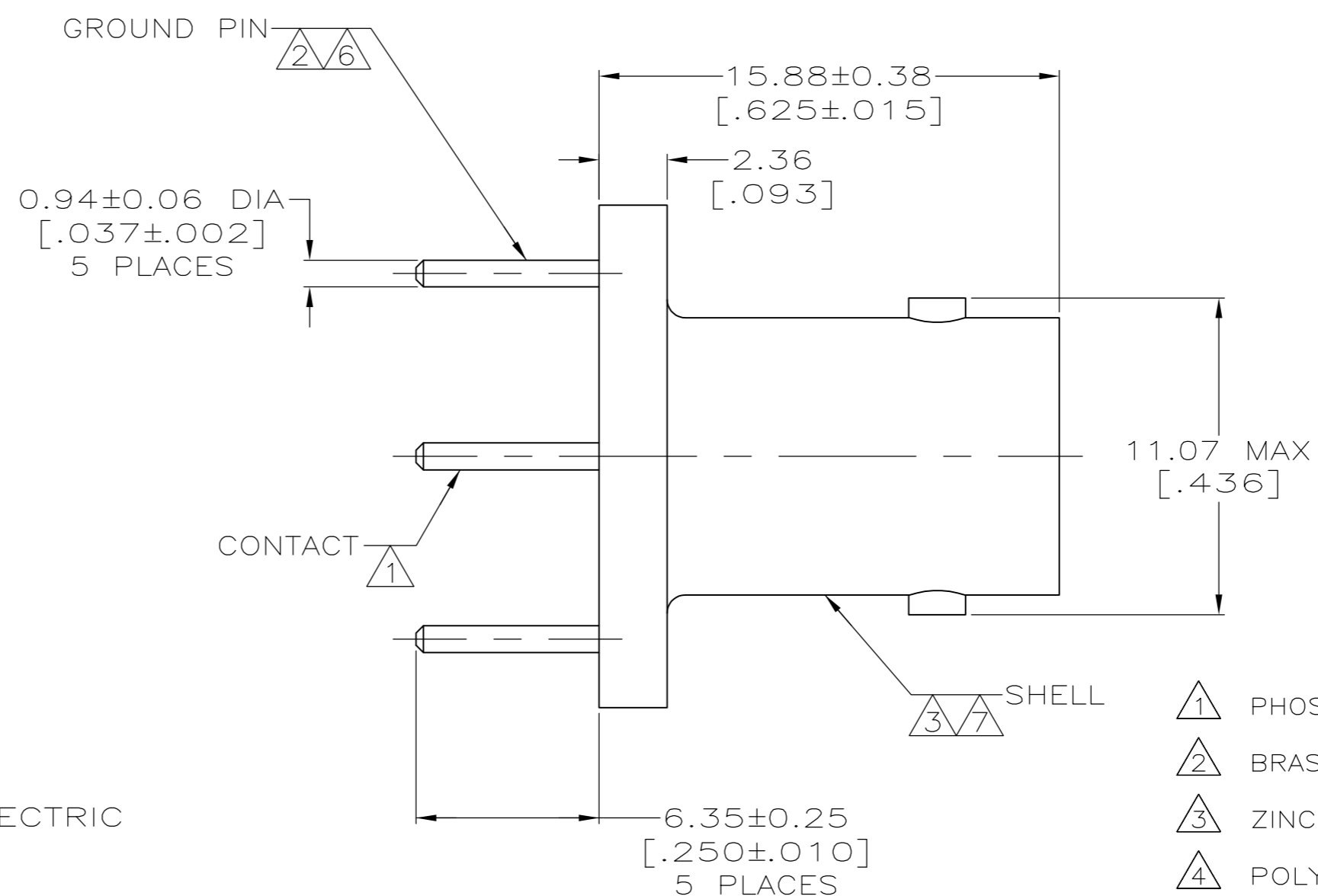
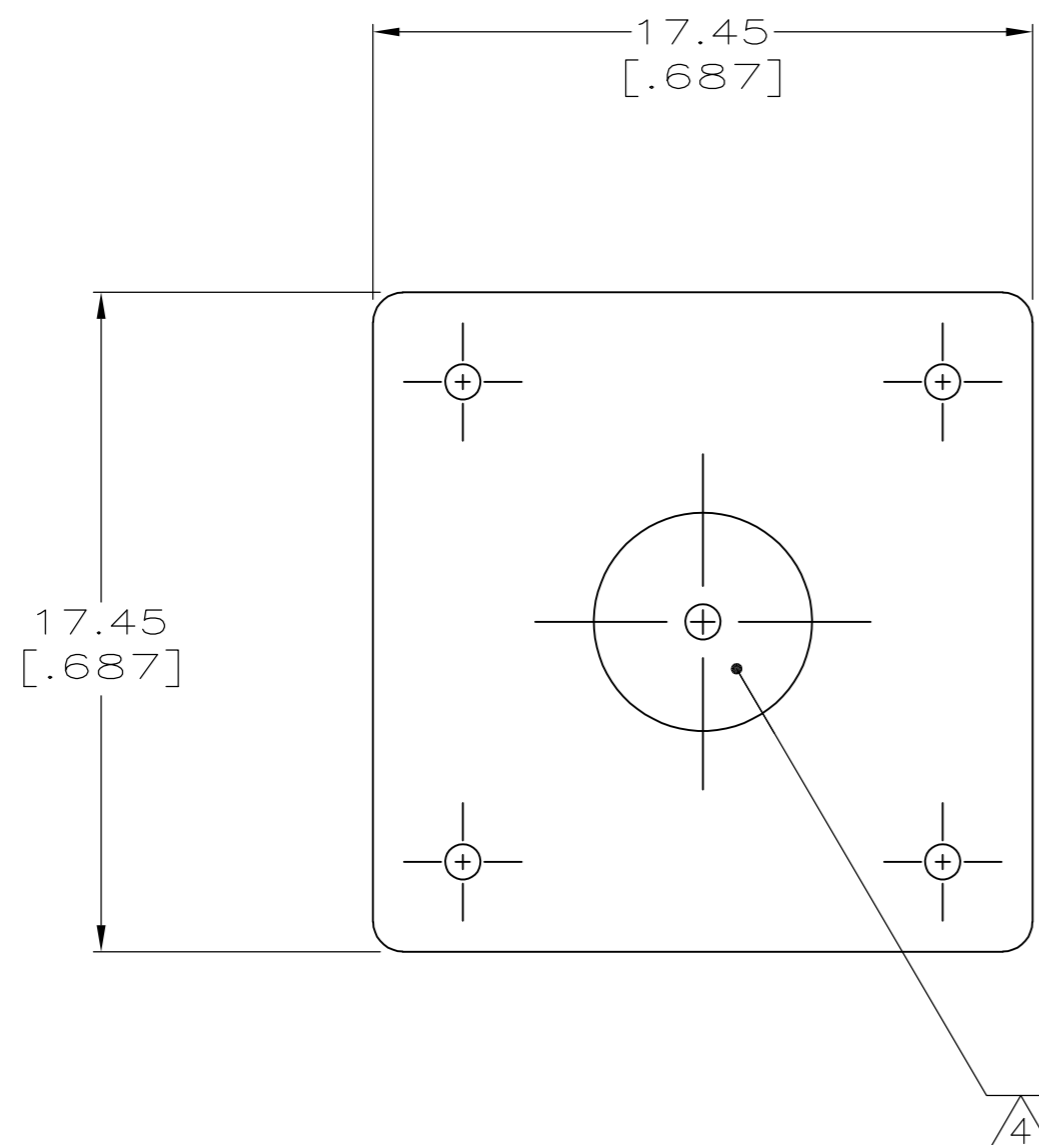
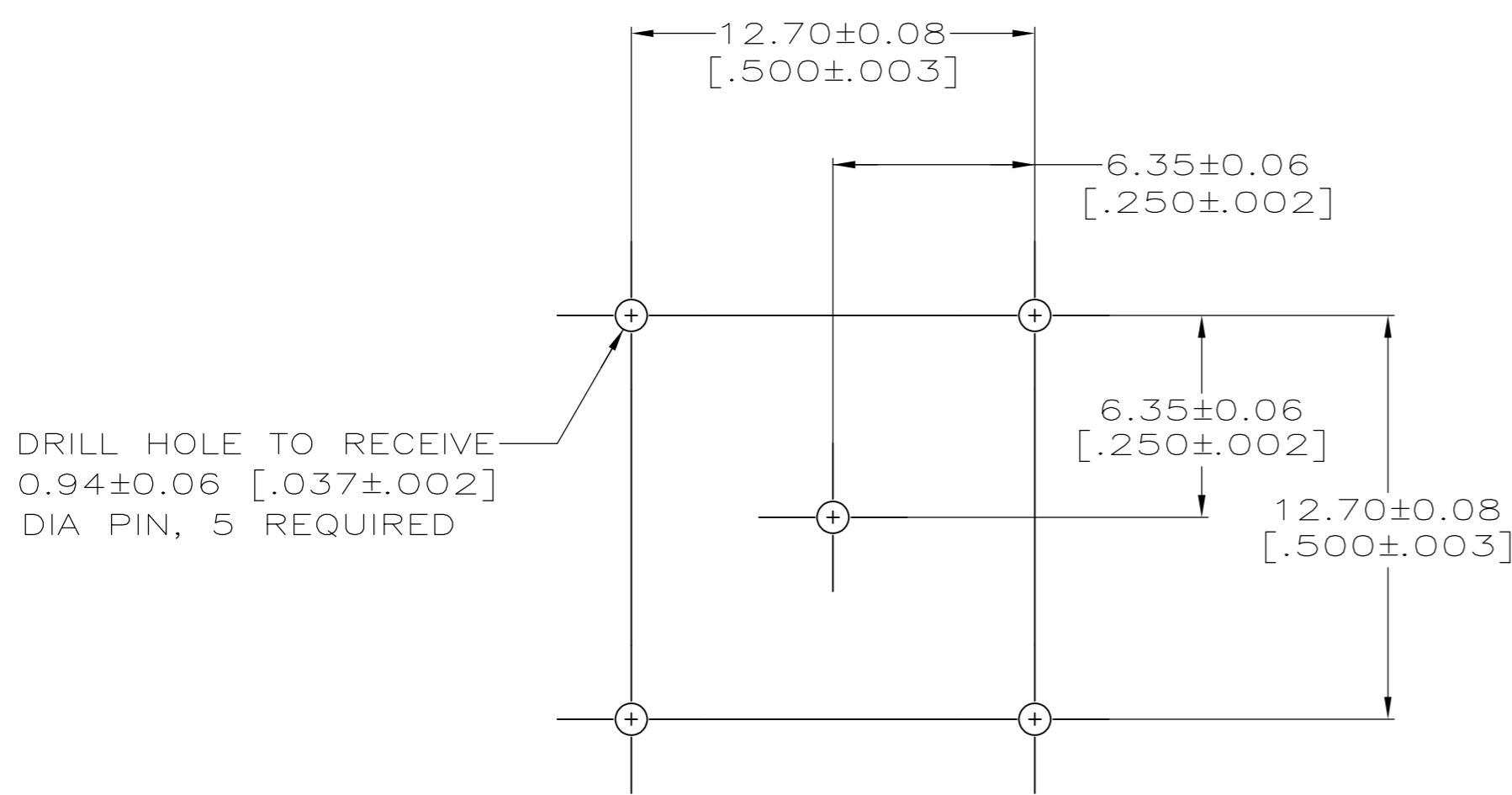


THIS DRAWING IS UNPUBLISHED. RELEASED FOR PUBLICATION
 © COPYRIGHT - By - ALL RIGHTS RESERVED.

LOC	DIST	REVISIONS			
P	LTR	DESCRIPTION	DATE	DWN	APVD
AJ	17				
		A1 REVISED PER ECO-11-005030	11MAR11	RK	HMR



- ① PHOSPHOR BRONZE PER QQ-B-750.
- ② BRASS PER QQ-B-626.
- ③ ZINC PER QQ-Z-363.
- ④ POLYESTER, PBT, PER MIL-M-24519.
- ⑤ SILVER PLATE PER QQ-S-365
2.54µm [0.000100] MINIMUM THICK.
- ⑥ TIN PLATE PER ASTM-B-545
2.54µm [0.000100] MINIMUM THICK.
- ⑦ NICKEL PLATE PER QQ-N-290
3.81µm [0.000150] MINIMUM THICK.
- ⑧ GOLD PLATE PER ASTM-B-488,
0.76µm [0.000030] MINIMUM THICK.
- 9. SEE INSTRUCTION SHEET 408-9889.



SUGGESTED PCB CONFIGURATION

勝特力材料 886-3-5753170
勝特力电子(上海) 86-21-34970699
勝特力电子(深圳) 86-755-83298787
[Http://www.100y.com.tw](http://www.100y.com.tw)

⑥	5227699-3
⑧	5227699-2
⑤	5227699-1
CONTACT FINISH	PART NUMBER

THIS DRAWING IS A CONTROLLED DOCUMENT.		DWN	21APR2005	TE Connectivity
DIMENSIONS: mm [INCHES]		CHK	21APR2005	
TOLERANCES UNLESS OTHERWISE SPECIFIED:		APVD	21APR2005	NAME
0 PLC ± -		1 PLC ± -	2 PLC ± 0.20 [.008]	
MATERIAL		FINISH	WEIGHT	SIZE
①②③④		⑤⑥⑦⑧⑨⑩	-	A2
CUSTOMER DRAWING		SCALE 5:1		SHEET 1 of 1