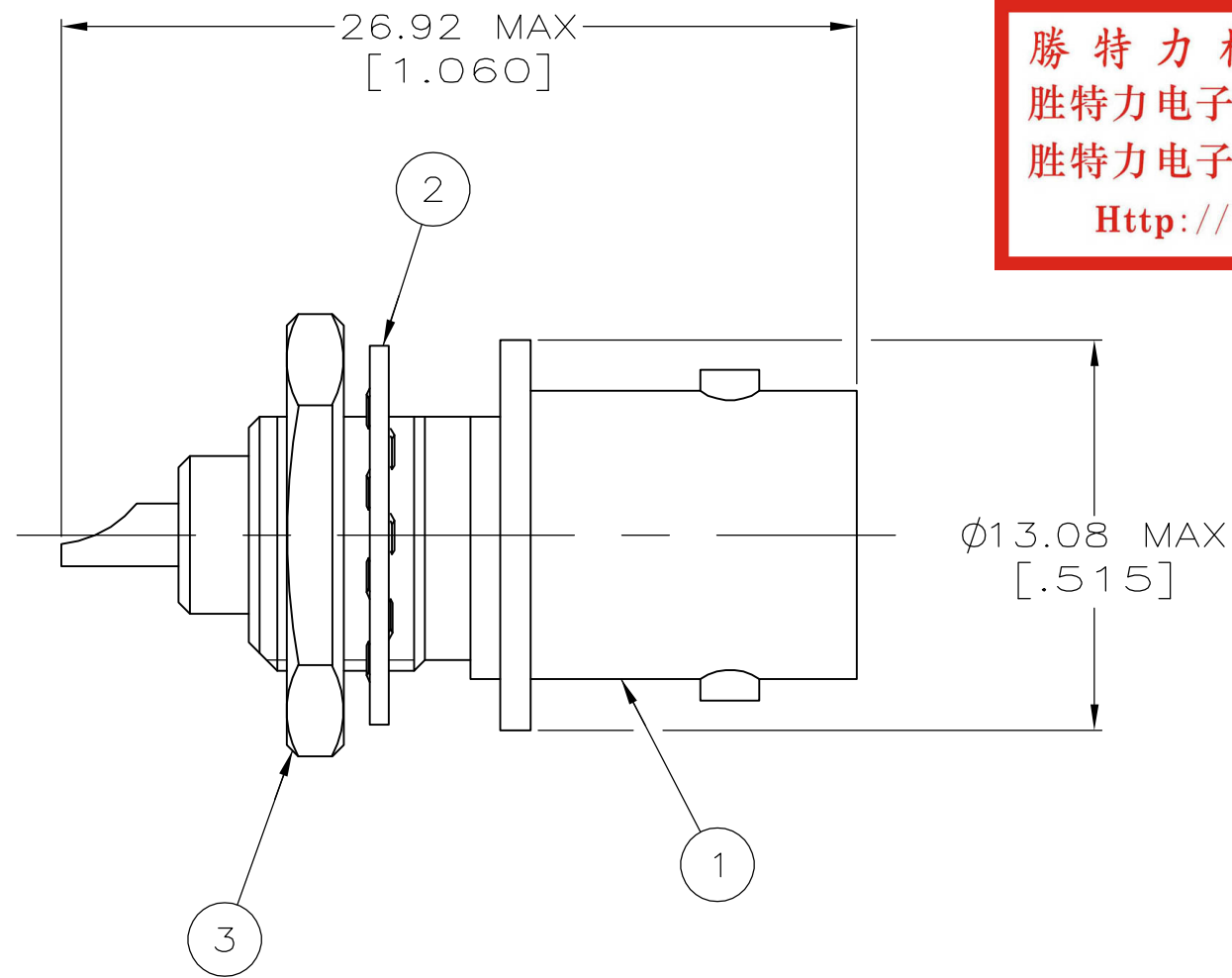


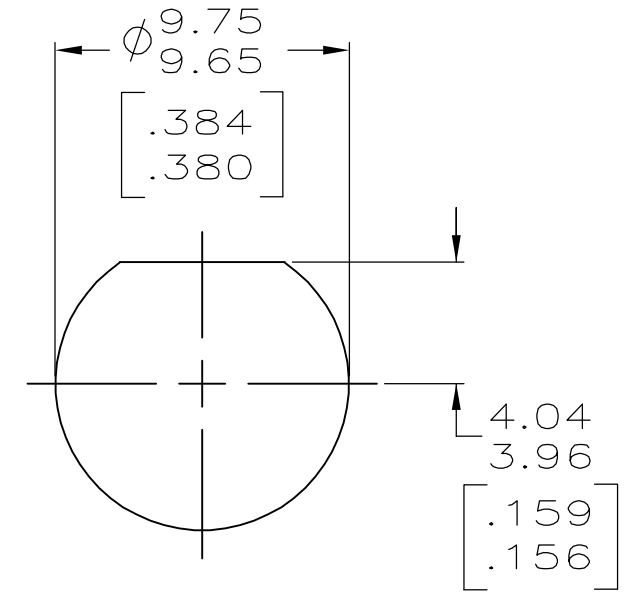
THIS DRAWING IS UNPUBLISHED. RELEASED FOR PUBLICATION
 © COPYRIGHT BY TYCO ELECTRONICS CORPORATION. ALL RIGHTS RESERVED.

LOC	DIST	REVISIONS			
P	LTR	DESCRIPTION	DATE	DWN	APVD
AJ	16	A	REVISED PER EC OS14-0150-05	30AUG05	BM JL

1. 3.175 [.125] MAX PANEL THICKNESS.



勝特力材料 886-3-5753170
 勝特力电子(上海) 86-21-34970699
 勝特力电子(深圳) 86-755-83298787
[Http://www.100y.com.tw](http://www.100y.com.tw)



RECOMMENDED PANEL CUTOUT

1-330249-1	1-329492-1	227756-3	5227754-3
1-330249-1	1-329492-1	227756-2	5227754-2
1-330249-1	1-329492-1	227756-1	5227754-1
③ JAM NUT QTY=1	② LOCKWASHER QTY=1	① JACK ASSY QTY=1	PART NUMBER

THIS DRAWING IS A CONTROLLED DOCUMENT.		DWN L. VARELA - DOCK5 21APR2005	Tyco Electronics Corporation Harrisburg, Pa 17105-3608	
DIMENSIONS: mm [INCHES]	TOLERANCES UNLESS OTHERWISE SPECIFIED:	CHK J. HAVENER 21APR2005	NAME SOLDER JACK, 50 OHM SERIES BNC	
	0 PLC ± - 1 PLC ± - 2 PLC ± - 3 PLC ± - 4 PLC ± - ANGLES ± -	APVD J. LIPPERT 21APR2005	PRODUCT SPEC 108-12079	
MATERIAL	FINISH	APPLICATION SPEC	SIZE	CAGE CODE
-	-	-	A3	00779
CUSTOMER DRAWING		WEIGHT	DRAWING NO	RESTRICTED TO
		-	C=5227754	-
		SCALE	SHEET	REV
		4:1	1 OF 1	A