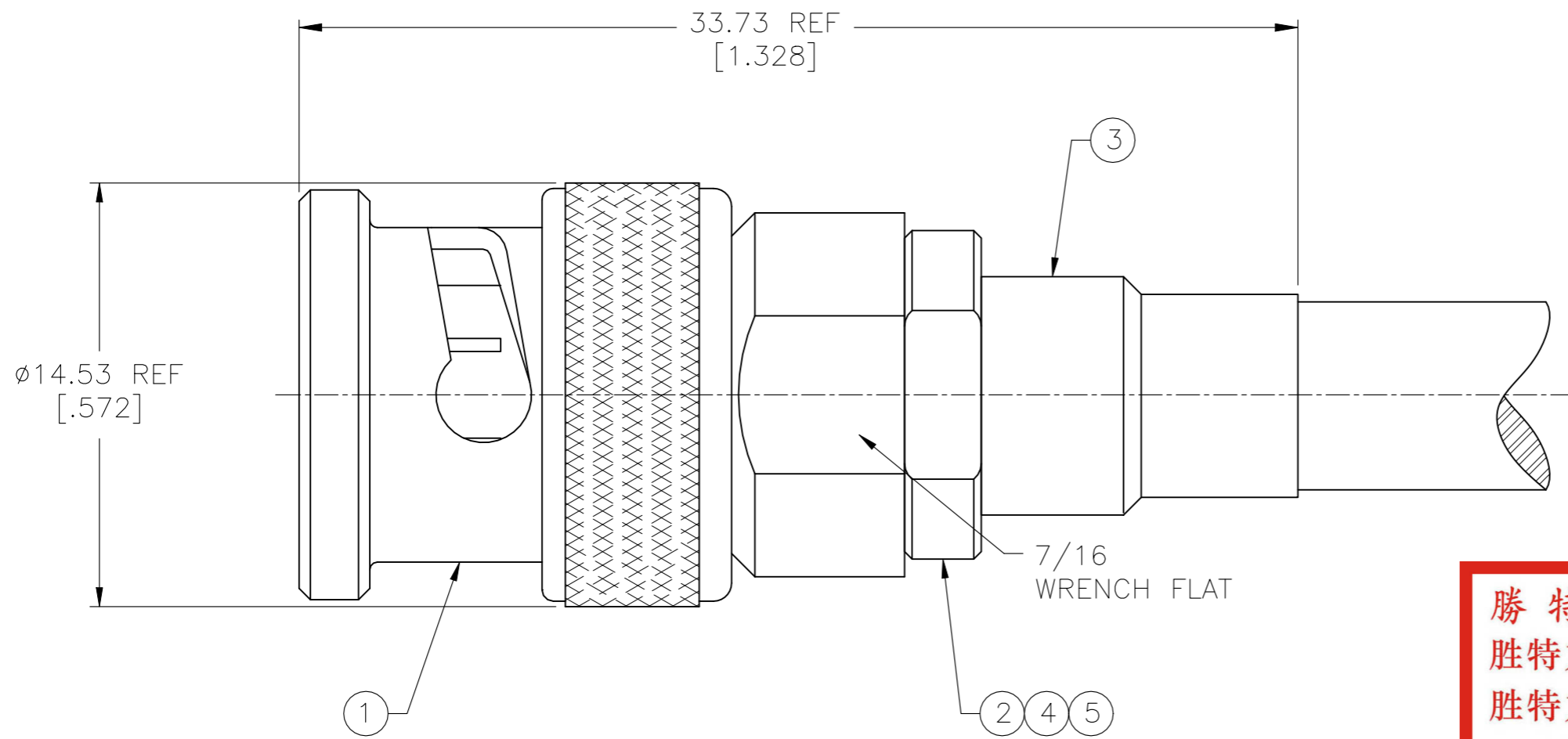


REVISIONS					
P	LTR	DESCRIPTION	DATE	DWN	APVD
	A2	REVISED PER ECN-21-122181	26OCT2021	RZ	WK



1. USE PRO-CRIMPER 354940-1 WITH DIE SET 91909-1.
 2. SEE INSTRUCTION SHEET 408-2055.
 3. PARTS PACKAGED UNASSEMBLED.
- △ 4 OBSOLETE PARTS: OBSOLETE CIS STREAMLINING PER D.RENAUD/D.SINISI

勝特力材料 886-3-5753170
勝特力电子(上海) 86-21-34970699
勝特力电子(深圳) 86-755-83298787
[Http://www.100y.com.tw](http://www.100y.com.tw)

△ 4	OBSOLETE	ROLM 49D2401 TWINAX	332214	332222-1	9-332224-0	1-332221-5	5-330949-0	5332225-6
		RG 108/U & 108A/U	332214	332222-1	9-332224-0	1-332221-4	5-330949-0	5332225-5
△ 4	OBSOLETE	TROMPETER TWC-124-2	332214	332222	9-332224-1	1-332221-3	2-330949-2	5332225-3
		RG 108/U & 108A/U	332214	332222	9-332224-1	332221	2-330949-2	5332225
		FOR USE WITH CABLE	⑤ SEAL QTY=1	④ DIELECTRIC QTY=1	③ FERRULE QTY=1	② CRIMP END QTY=1	① PLUG ASSY QTY=1	PART NO.

THIS DRAWING IS A CONTROLLED DOCUMENT.		DWN L. VARELA - DOCK5 21APR2005	STE TE Connectivity			
		CHK J. HAVENER 21APR2005				
DIMENSIONS: mm [INCHES] 		APVD J. LIPPERT 21APR2005	NAME			
TOLERANCES UNLESS OTHERWISE SPECIFIED: 0 PLC ± - 1 PLC ± - 2 PLC ± - 3 PLC ± - 4 PLC ± - ANGLES ± 1°		PRODUCT SPEC	PLUG, TWIN BNC			
MATERIAL		APPLICATION SPEC	SIZE	CAGE CODE	DRAWING NO	RESTRICTED TO
		WEIGHT 0.000000	A3	00779	C-5332225	-
CUSTOMER DRAWING			SCALE 5:1	SHEET 1 OF 1	REV A2	