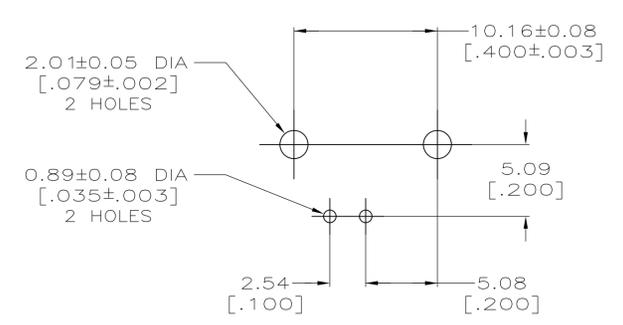
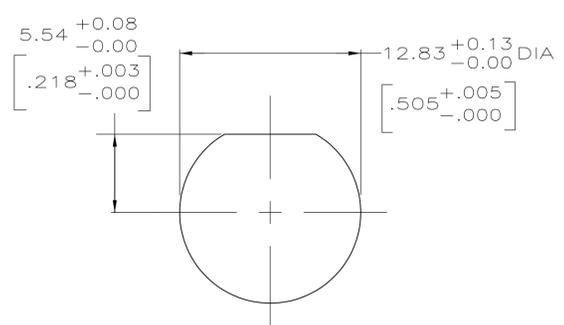
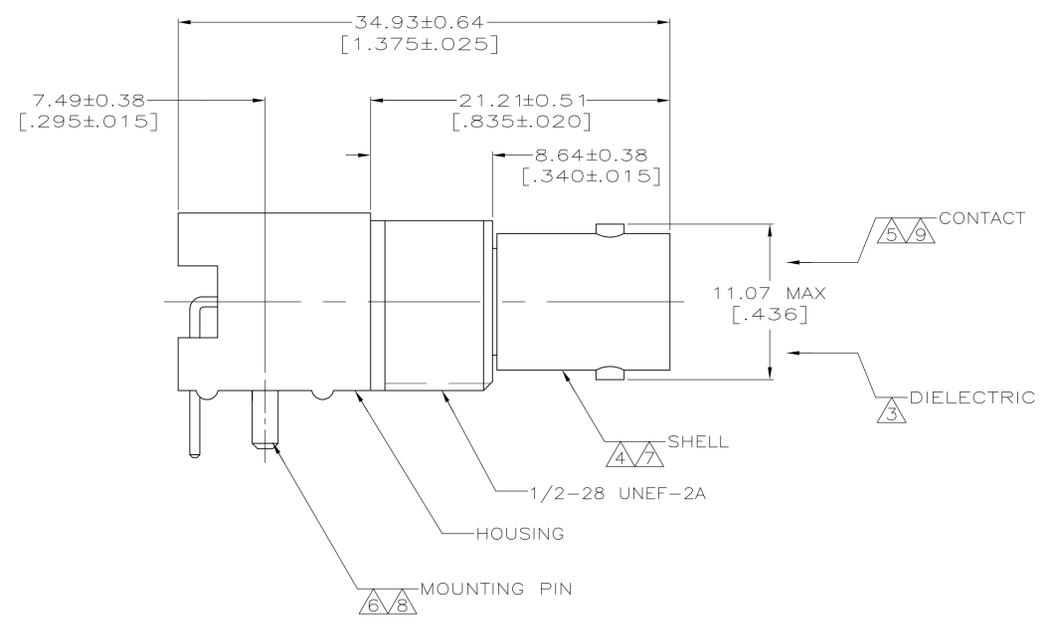
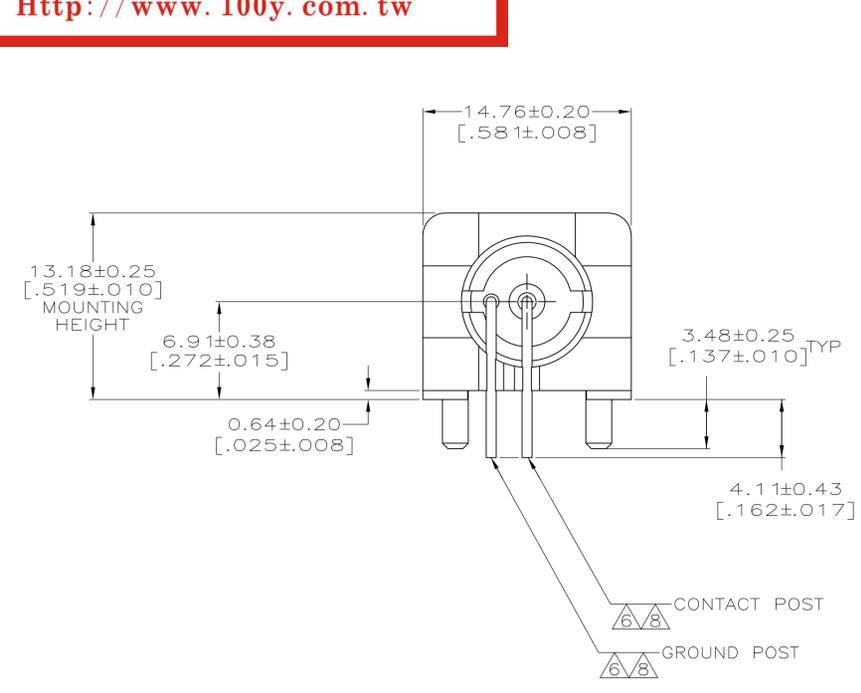


LOC	DIST	REVISIONS			
REV	DATE	DESCRIPTION	DATE	BY	APPV
AJ	16	B1	REVISED PER ECO-11-005030	11MAR11	RK HMR

**勝特力材料 886-3-5753170**  
**勝特力电子(上海) 86-21-34970699**  
**勝特力电子(深圳) 86-755-83298787**  
**Http://www.100y.com.tw**

- ① POLYESTER PBT PER MIL-M-24519, TYPE GPT-15F, UL94V-0 RATED, COLOR:NATURAL
- ② POLYESTER PBT PER MIL-M-24519, TYPE GPT-15F, UL94V-0 RATED, COLOR:BLACK
- ③ POLYMETHYLPENTENE, GENERAL PURPOSE.
- ④ ZINC PER QQ-Z-363.
- ⑤ BERYLLIUM COPPER PER QQ-C-530.
- ⑥ BRASS PER ASTM-B-453.
- ⑦ NICKEL PLATE PER QQ-N-290  
3.81 μm [.000150] MINIMUM THICK.
- ⑧ TIN PLATE PER ASTM-B-545  
3.81 μm [.000150] MINIMUM THICK.
- ⑨ GOLD PLATE PER ASTM-B-488  
0.76 μm [.000030] MINIMUM THICK.
- 10. SEE INSTRUCTION SHEET 408-2769.



RECOMMENDED PANEL CUTOUT

PCB CONFIGURATION

①	5413194-2
②	5413194-1
HOUSING MATERIAL	PART NO

THIS DRAWING IS A CONTROLLED DOCUMENT.		DIN L VARELA - DOCKS 21APR2005		TE Connectivity	
DIMENSIONS: mm [INCHES]		CHK J HAVENER 21APR2005			
TOLERANCES UNLESS OTHERWISE SPECIFIED:		APVD J LIPPERT 21APR2005		NAME	
0 PLC ± -		PRODUCT SPEC		JACK, RIGHT ANGLE, PCB, 75 OHM, BNC	
1 PLC ± -		APPLICATION SPEC		SIZE CAGE CODE DRAWING NO	
2 PLC ± 0.06 [.002]		WEIGHT		A1 00779 C=5413194	
3 PLC ± -		CUSTOMER DRAWING		SCALE 4:1 SHEET 1 OF 1 REV B1	
4 PLC ± -		RESTRICTED TO			
ANGLES ± -					
MATERIAL SEE NOTES 1-6		FINISH SEE NOTES 7-9			