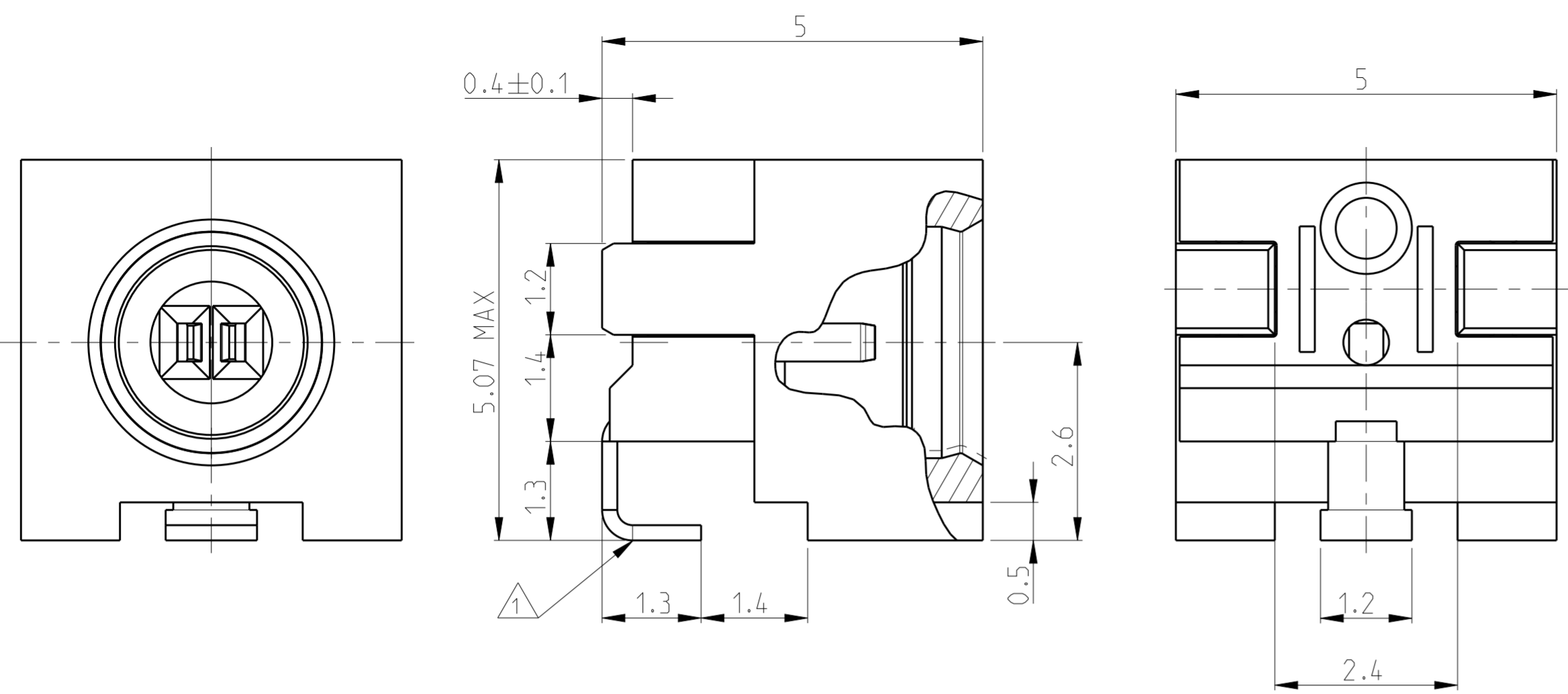
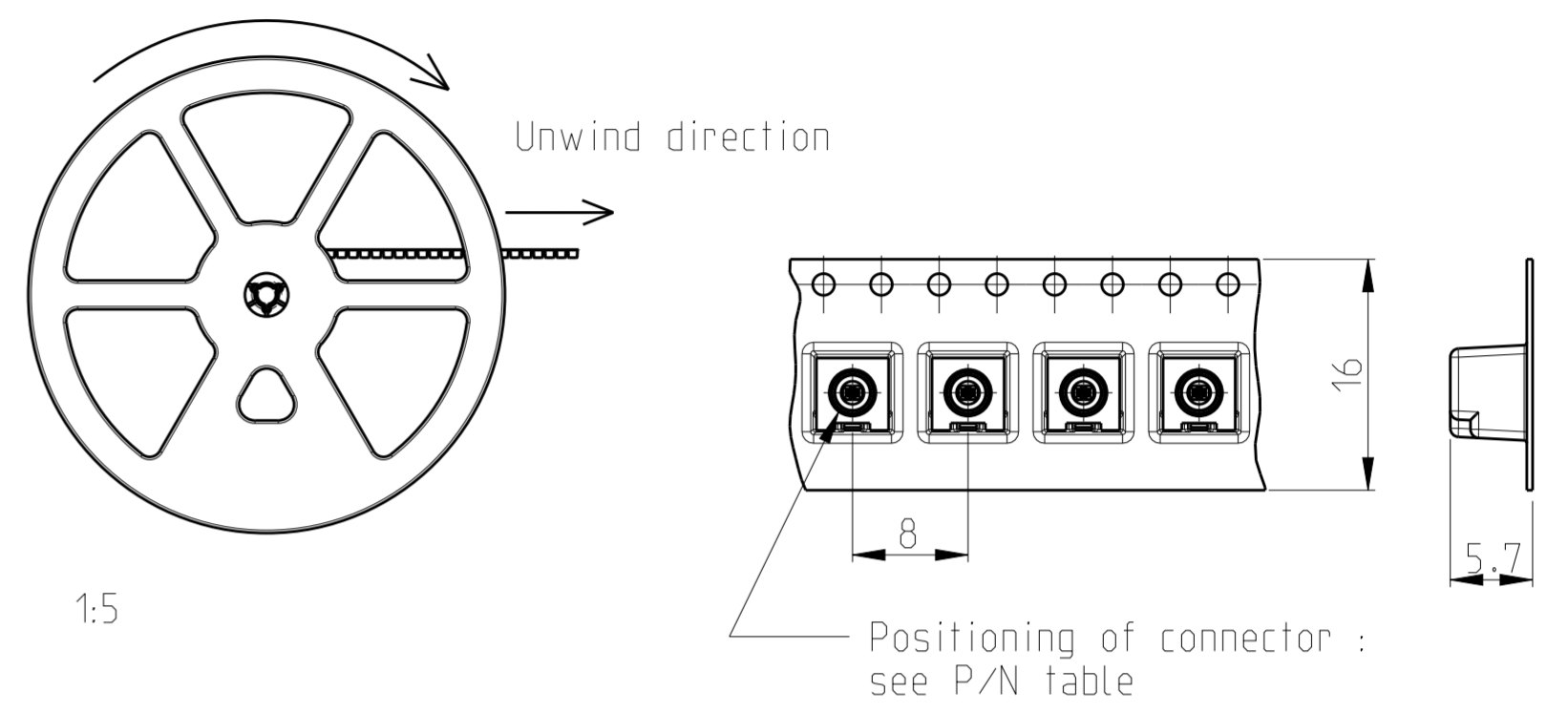


P	LTR	DESCRIPTION	DATE	DWN	APVD
A2		ECR-19-006203	23APR2019	RZ	RS



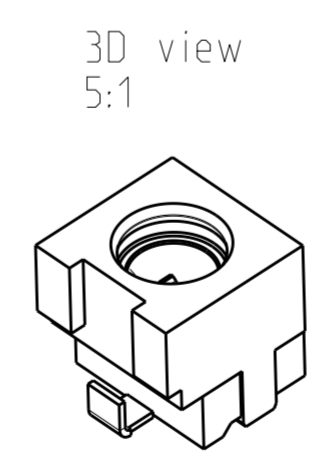
Packaging : Tape on reel
 Reel width : 22.4 mm
 Reel diameter : 330 mm
 Quantity per reel : 1500



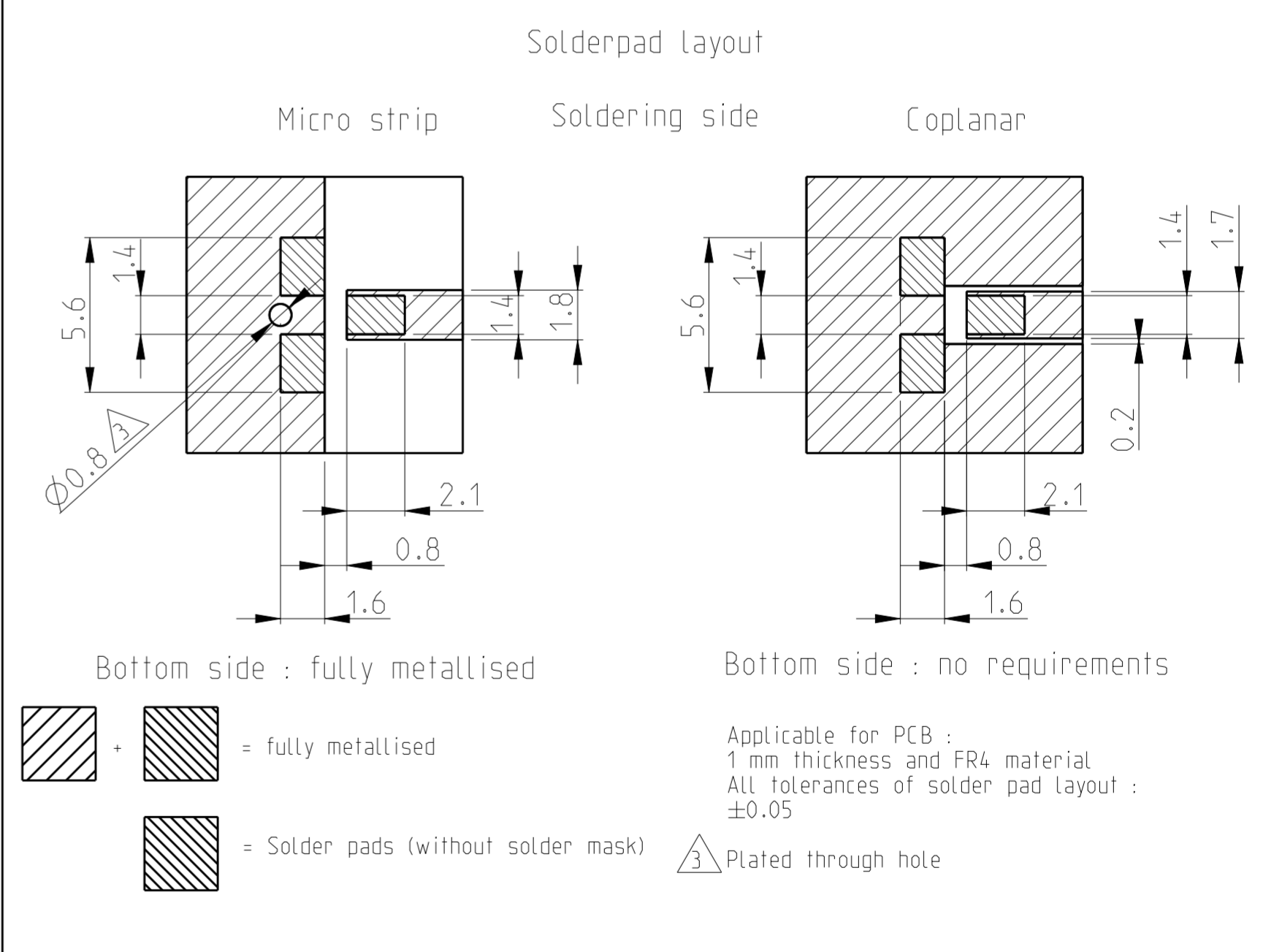
- ① Signal contact solder lead
- ② Partial Sn plating on ①
- 3) Interface dimensions in accordance with CECC22340
- 4) Comply with IEC 60286-3 and EIA-481
- ⑤ DIN ISO 8015; DIN ISO 2768-m-H

勝特力材料 886-3-5753170
勝特力电子(上海) 86-21-34970699
勝特力电子(深圳) 86-755-83298787
Http://www.100y.com.tw

Tyco part number	Style	Positioning in tape
6-1460820-1 (ROHS Compliant) ②	Straight 	Straight
6-1460820-2 (ROHS Compliant) ②	Right angled 	Right angled



1:1



THIS DRAWING IS A CONTROLLED DOCUMENT.		DWN AH 07OCT2005	STE TE Connectivity
		CHK RL 12OCT2005	
DIMENSIONS: mm		TOLERANCES UNLESS OTHERWISE SPECIFIED: ⑤	NAME SMD Jack, series MMCX
MATERIAL -		FINISH -	SIZE A2
			CAGE CODE 00779
			DRAWING NO C-1460820
			RESTRICTED TO -
			SCALE 15:1 SHEET 1 OF 1 REV A2

Active part numbers : contact TE CONNECTIVITY for other configuration availability