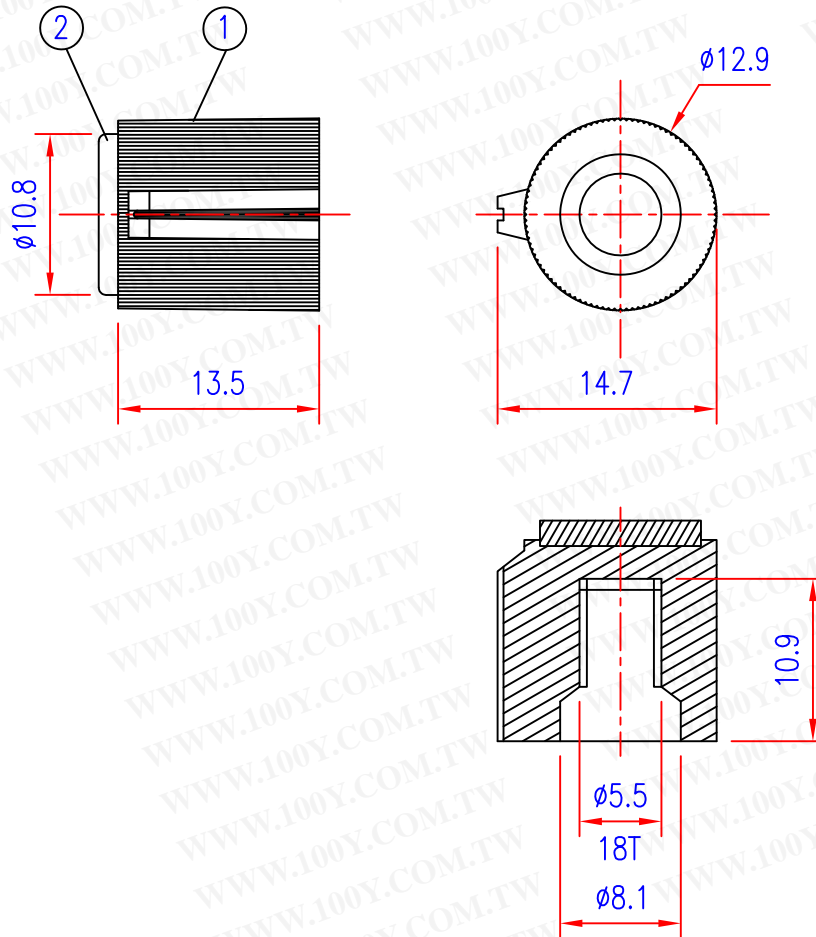


CAP COLOR : RED , BLACK , YELLOW , GREEN , BLUE



勝特力材料 886-3-5753170
 勝特力电子(上海) 86-21-34970699
 勝特力电子(深圳) 86-755-83298787
[Http://www.100y.com.tw](http://www.100y.com.tw)

UNLESS OTHERWISE SPECIFIED
 GENERAL TOLERANCES
 0.5~6 = ± 0.2
 >6~30 = ± 0.4
 >30~120 = ± 0.6

2	CAP	1	PLASTIC			
1	BODY	1	BAKELITE			
NO.	DESCRIPTION	QTY	MATERIAL	SPECIFICATION	REMARK	
DRAW BY	周佩君	081508	SCALE	1 : 2		ITEM NO. 9154-18T
DEGN BY	YANG		UNIT	MM		TITLE KNOB
APPD BY	RAY					DRAWING NO. 9154-18T-TNS09-A

DATE	DRAWG BY	REVISED	Δ
------	----------	---------	----------