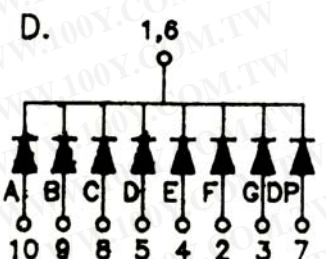
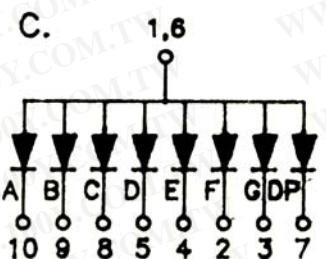
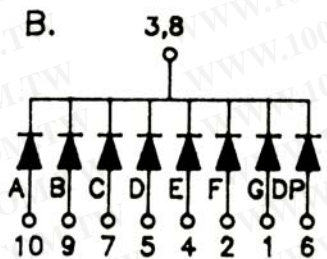
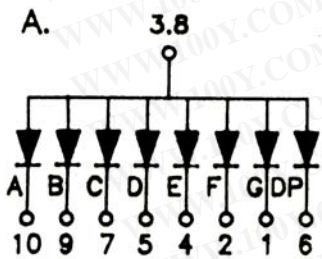
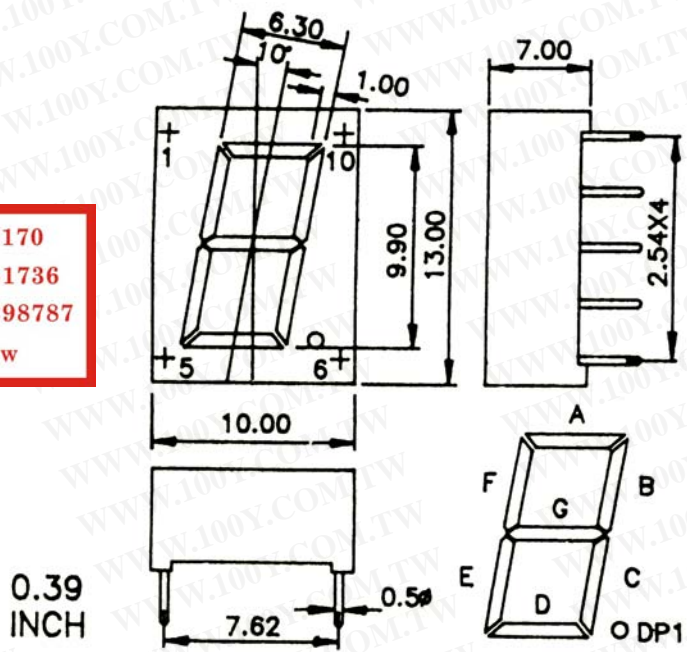


勝特力材料 886-3-5753170
 勝特力电子(上海) 86-21-54151736
 勝特力电子(深圳) 86-755-83298787
[Http://www.100y.com.tw](http://www.100y.com.tw)



PIN FUNCTION	A	C	B	D	WAVE LENGTH	IR MAX (uA)	VF (V)	LIMINOUS INTENSITY
EMITTING COLOR	COMMON ANODE	COMMON ANODE	COMMON CATHODE	COMMON CATHODE	② IF=20mA	③ VR=5V	④ IF=20mA	⑤ IF=10mA
GaAsp RED	A3918R-	A3917R-	C3918R-	C3917R-	655 nm	100uA	1.7V	570ucd
Gap RED	A3918H-	A3917H-	C3918H-	C3917H-	695 nm	100uA	2.2V	1000ucd
GaAsp/Gap ORANGE	A3918O-	A3917O-	C3918O-	C3917O-	635 nm	100uA	2.0V	2000ucd
GaAsp/Gap YELLOW	A3918Y-	A3917Y-	C3918Y-	C3917Y-	600 nm	100uA	2.1V	2000ucd
Gap GREEN	A3918G-	A3917G-	C3918G-	C3917G-	565 nm	100uA	2.2V	2000ucd
Gap PUREGREEN	A3918GM	A3917GM	C3918GM	C3917GM	555 nm	100uA	2.2V	1000ucd
GaAlAs RED	A3918RS	A3917RS	C3918RS	C3917RS	655 nm	100uA	1.8V	5000ucd