

General Characteristics

RoHS Compliance

ACPA series Gas Discharge Tube comply to a maximum concentration value of 0.1% by weight in homogeneous materials for lead, mercury, hexavalent chromium, polybrominated biphenyls (PBB) and polybrominated diphenyls ethers (PBDE) and 0.01 weight in homogeneous materials for cadmium and are in compliance with directive 2002/95/EC of European and of the council of 27 January. On the restriction of the use of certain hazardous substances in electrical and electronic equipment (RoHS Directive).

100% Inspection

1. DC breakdown voltage, Insulation resistance, Physical dimensions, Lead/Weld strength and appearance.
2. All other gas tube characteristics are checked using the appropriate sampling procedures
3. Gas tubes have no radioactive content
4. ISO 9001 certified

Temperature Rating

Storage: -40°C to +150°C

Operate: -30to°C +85°C

Part Number System

Example part number

ACPA 2N 600 B 8 L A
(1) (2) (3) (4) (5) (6) (7)

- (1) Brand Name
Series Code
- (2) 2RM = 2 elements mini series
2R = 2 elements standard series
2N = 2 elements high current series
2S = 2 elements surface mount series
3R = 3 elements standard series
- (3) DC Breakdown voltage
70 = 70V 90 = 90V 145 = 145V...6000 = 6000V
- (4) Diameter
A = 5.5 mm B = 8mm
- (5) Length
4 = 4mm 6 = 6mm 8 = 8mm 10 = 10mm
- (6) Lead Type
B = No leads
L = Axial Lead L1=1.0mm L2=0.8mm Diameter
C = Radial lead clip-in style
- (7) Packing Type
B = Box
A = Taping and Ammo
R = Taping and Reel

勝特力材料 886-3-5753170
勝特力电子(上海) 86-21-54151736
勝特力电子(深圳) 86-755-83298787
[Http://www.100y.com.tw](http://www.100y.com.tw)

Gas Discharge Tube / 2 Elements

Standard Series

ACPA-2R ϕ 8mm ,6mm long

Temperature Rating

Storage : -40°C to + 150°C

Operate : -30°C to + 85°C

Note1: DC Breakdown Voltage DC Measuring Voltage

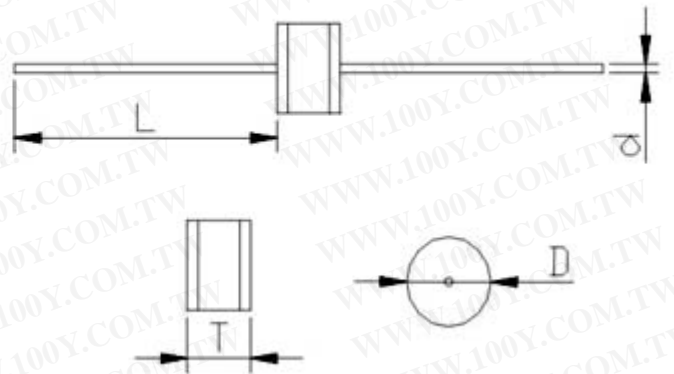
70-90V	50V
120-400V	100V
470-800V	250V



Dimensions

Unit: mm

Item	Dimensions
D	8.0 +0.3, -0.5
T	6.0 +0.3, -0.5
d	0.8 or 1.0 ± 0.05
L	20min.



Model No.	DC Breakdown Voltage (V) 100V/s	Maximum Impulse Breakdown Voltage (V)		Maximum Impulse Discharge Current (8/20 μ s) (KA)		Normal Alternating Discharge Current (A)		Impulse Life (10/1000 μ s) (100A) times	DC Holdover Voltage (V) <150ms	Minimum Insulation Resistance (G Ω) Note 1	Maximum Capactiance (pf) 1MHZ	
		100V/ μ s	1000V/ μ s	1 times	10 times	50Hz, 1sec	Single 9cycles					
2R-70	70±20%	500	600	15	10	5	65	500	52	10	1.5	<input type="checkbox"/>
2R-75	75±20%	500	600	15	10	5	65	500	52	10	1.5	<input type="checkbox"/>
2R-90	90±20%	500	600	15	10	5	65	500	52	10	1.5	<input type="checkbox"/>

2R-120	120±20%	500	700	15	10	5	65	500	52	10	1.5	☐
2R-130	130±20%	500	700	15	10	5	65	500	52	10	1.5	☐
2R-145	145±20%	500	700	15	10	5	65	500	52	10	1.5	☐
2R-230	230±20%	500	700	15	10	5	65	500	80	10	1.5	☐
2R-250	250±20%	500	700	15	10	5	65	500	80	10	1.5	☐
2R-300	300±20%	700	900	15	10	5	65	500	150	10	1.5	☐
2R-350	350±20%	700	900	15	10	5	65	500	150	10	1.5	☐
2R-400	400±20%	800	1000	15	10	5	65	500	150	10	1.5	☐
2R-470	470±20%	900	1100	15	10	5	65	500	150	10	1.5	☐
2R-600	600±20%	1100	1300	10	5	5	65	500	150	10	1.5	☐
2R-800	800±20%	1300	1500	10	5	5	65	500	150	10	1.5	☐

● High Voltage Series

ACPA-2R ϕ 8mm ,8mm long

Temperature Rating

Storage : -40°C to + 150°C

Operate : -30°C to + 85°C

Note1: DC Breakdown Voltage DC Measuring Voltage

1000-1200V

500V

2500-6000V

1000V

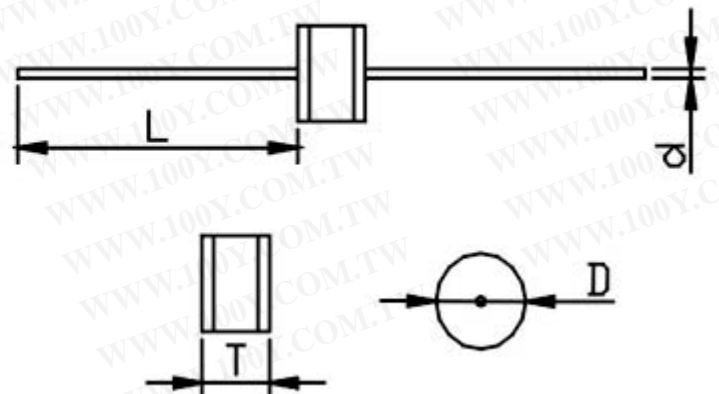


勝特力材料 886-3-5753170
 勝特力电子(上海) 86-21-54151736
 勝特力电子(深圳) 86-755-83298787
[Http://www.100y.com.tw](http://www.100y.com.tw)

Dimensions

Unit: mm

Item	Dimensions
D	8.0 +0.3, -0.5
T	8.0 +0.6, -0.1
d	0.8 or 1.0 ±0.05
L	20min.



Model No.	DC Breakdown Voltage (V) 5KV/s	Maximum Impulse Breakdown Voltage (V)		Maximum Impulse Discharge Current (8/20 μ s) (KA)		Normal Alternating Discharge Current (A)		Impulse Life (10/1000us) (100A) times	Minimum Insulation Resistance (G Ω) Note 1	Maximum Capacitance (pf) 1MHZ
		100V/ μ s	1000V/ μ s	1 times	10 times	50Hz, 1sec	Single 9cycles			
2R-1000	1000 \pm 20%	1300	1400	8	5	5	10	100	10	1.5
2R-1400	1400 \pm 20%	2100	2200	8	5	5	10	100	10	1.5
2R-1600	1600 \pm 20%	2300	2400	8	5	5	10	100	10	1.5
2R-2000	2000 \pm 20%	2700	2800	8	5	5	10	100	10	1.5
2R-2500	2500 \pm 20%	3500	3600	8	5	5	10	100	10	1.5
2R-2700	2340~2970	3600	3800	5	3	3	5	300*	10	1.5
2R-3000	3000 \pm 20%	4100	4200	5	3	3	5	300*	10	1.5
2R-3500	3500 \pm 20%	4900	5000	5	3	2.5	5	100	10	1.5
2R-4000	4000 \pm 20%	5300	5500	5	3	2.5	5	100	10	1.5
2R-4500	4500 \pm 20%	5800	6000	5	3	2.5	5	100	10	1.5
2R-5000	5000 \pm 20%	6000	6400	5	3	2.5	5	100	10	1.5
2R-6000	6000 \pm 20%	7000	7800	5	3	2.5	5	100	10	1.5

Mini Series

ACPA-2RM ϕ

5.5mm ,6mm long

Temperature Rating

Storage : -40 $^{\circ}$ C to + 150 $^{\circ}$ C

Operate : -30 $^{\circ}$ C to + 85 $^{\circ}$ C

Note1	DC Breakdown Voltage	DC Measuring Voltage
	70-90V	50V
	120-400V	100V
	470-800V	250V

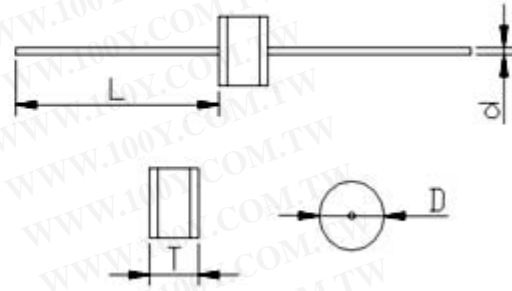


勝特力材料 886-3-5753170
 勝特力电子(上海) 86-21-54151736
 勝特力电子(深圳) 86-755-83298787
[Http://www.100y.com.tw](http://www.100y.com.tw)

Dimensions

Unit: mm

Item	Dimensions
D	5.5+0.3,-0.5
T	6.0+0.3,-0.5
d	0.8±0.05
L	20min.



Model No.	DC Breakdown Voltage(V) 100V/s	Maximum Impulse Breakdown Voltage (V)		Maximum Impulse Discharge Current (8/20μs) (KA)		Normal Alternating Discharge Current (A)		Impulse Life (10/1000us) (100A) times	DC Holdover Voltage (V) <150ms	Minimum Insulation Resistance (GΩ) Note 1	Maximum Capacitance (pf) 1MHZ	<input checked="" type="checkbox"/>
		100V/μs	1000V/μs	1 times	10 times	50Hz, 1sec	Single 9cycles					
2RM-70	70±20%	700	800	10	5	5	15	500	52	1	1	<input type="checkbox"/>
2RM-75	75±20%	700	800	10	5	5	15	500	52	1	1	<input type="checkbox"/>
2RM-90	90±20%	600	700	10	5	5	15	500	52	1	1	<input type="checkbox"/>
2RM-120	120±20%	600	700	10	5	5	15	500	52	1	1	<input type="checkbox"/>
2RM-130	130±20%	600	700	10	5	5	15	500	52	1	1	<input type="checkbox"/>
2RM-145	145±20%	600	700	10	5	5	15	500	52	1	1	<input type="checkbox"/>
2RM-230	230±20%	600	700	10	5	5	15	500	80	1	1	<input type="checkbox"/>
2RM-250	250±20%	600	700	10	5	5	15	500	80	1	1	<input type="checkbox"/>
2RM-300	300±20%	700	900	10	5	5	15	500	150	1	1	<input type="checkbox"/>
2RM-350	350±20%	700	900	10	5	5	15	500	150	1	1	<input type="checkbox"/>
2RM-400	400±20%	800	1000	10	5	5	15	500	150	1	1	<input type="checkbox"/>
2RM-470	470±20%	900	1100	10	5	5	15	500	150	1	1	<input type="checkbox"/>
2RM-600	600±20%	1300	1500	2	2.5	2.5	5	500	150	1	1	<input type="checkbox"/>
2RM-800	800±20%	1500	1700	5	2.5	2.5	5	500	150	1	1	<input type="checkbox"/>

勝特力材料 886-3-5753170
 勝特力电子(上海) 86-21-54151736
 勝特力电子(深圳) 86-755-83298787
[Http://www.100y.com.tw](http://www.100y.com.tw)