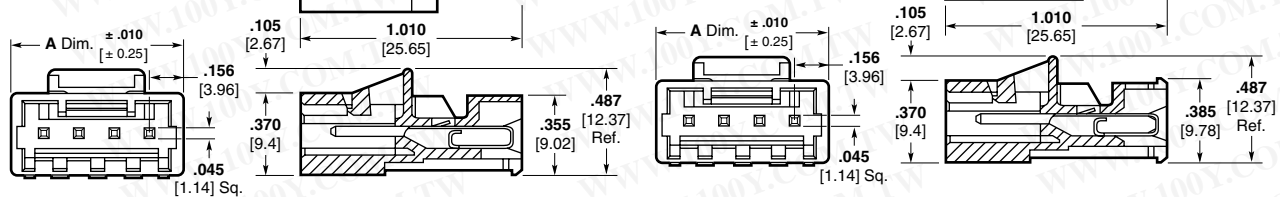


MTA-156 IDC Posted Connectors (Wire-to-Wire)—Closed End, Feed-Thru

Material and Finish

Housing — UL 94V-2 rated, nylon, see chart for color

Contacts — Copper alloy, post tin or .000030 [0.00076] gold plated over nickel



勝特力材料 886-3-5753170
 勝特力电子(上海) 86-21-54151736
 勝特力电子(深圳) 86-755-83298787
 Http://www.100y.com.tw

Notes:

1. Mating half visuals - pages 36 thru 39.
2. Strain relief & dust covers - pages 40 & 41.
3. Approved wire listing - page 70.

Connector Ordering Information

The "Base Part Numbers" Chart at right shows the base part number and number of circuits available for the described connectors.

Prefixes and suffixes are determined by the number of circuit positions in the connector. For example, the complete part number for a 12-position closed end connector for 18 AWG wire would be:

Base number **641435** plus prefix-and-suffix **1- -2**

The correct ordering number is **1-641435-2**

See page 15 for an explanation of RoHS lead free equivalents.

Note: All RoHS equivalent part numbers may not be available upon catalog release. If the number you need is not available, please contact Product Engineering to expedite your request.

Color Coding by Wire Size for UL 94V-2 Connectors

- 18 AWG — Orange
- 20 AWG — Yellow
- 22 AWG — Red
- 24 AWG — White
- 26 AWG — Blue

Performance Data

Voltage Rating — 600 VAC

Current Rating — 7 amp max.

Low-Level Resistance — 7 mΩ max. initial

Dielectric Withstanding Voltage — 1500 VAC/1 min.

Insulation Resistance — 5000 MΩ min. initial

Operating Temperature — -55° C to +105° C

Base Part Numbers

Connector Type & Wire Size	Closed End Connector ¹		Feed-Thru Connector ¹	
	Part Nos.	No. of Circuits/ RoHS Equiv.	Part Nos.	No. of Circuits/ RoHS Equiv.
Standard UL 94V-2, Tin Plated				
18 AWG 0.8-0.9 mm ²	641435	2, 3, 4, 6, 9, 12, 15, 24 32, 33, 34, 36, 39, 42, 45, 54	641522	2, 3, 4, 6, 9, 12, 15, 24 32, 33, 34, 36, 39, 42, 45, 54
20 AWG 0.5-0.6 mm ²	641436	2, 3, 4, 6, 9, 12, 15, 24 32, 33, 34, 36, 39, 42, 45, 54	641523	2, 3, 4, 6, 9, 12, 15, 24 32, 33, 34, 36, 39, 42, 45, 54
22 AWG 0.3-0.4 mm ²	641437	2, 3, 4, 6, 9, 12, 15, 24 32, 33, 34, 36, 39, 42, 45, 54	641524	2, 3, 4, 6, 9, 12, 15, 24 32, 33, 34, 36, 39, 42, 45, 54
24 AWG 0.2 mm ²	641438	2, 3, 4, 6, 9, 12, 15, 24 32, 33, 34, 36, 39, 42, 45, 54	641525	2, 3, 4, 6, 9, 12, 15, 24 32, 33, 34, 36, 39, 42, 45, 54
26 AWG 0.12-0.15 mm ²	641439	2, 3, 4, 6, 9, 12, 15, 24 32, 33, 34, 36, 39, 42, 45, 54	641526	2, 3, 4, 6, 9, 12, 15, 24 32, 33, 34, 36, 39, 42, 45, 54
Standard UL 94V-2, .000030 [0.00076] Gold Plated				
18 AWG 0.8-0.9 mm ²	644807	2, 3, 4, 6, 9, 12, 15, 24 32, 33, 34, 36, 39, 42, 45, 54	644812	2, 3, 4, 6, 9, 12, 15, 24 32, 33, 34, 36, 39, 42, 45, 54
20 AWG 0.5-0.6 mm ²	— ²	—	— ²	—
22 AWG 0.3-0.4 mm ²	644809	2, 3, 4, 6, 9, 12, 15, 24 32, 33, 34, 36, 39, 42, 45, 54	644814	2, 3, 4, 6, 9, 12, 15, 24 32, 33, 34, 36, 39, 42, 45, 54
24 AWG 0.2 mm ²	— ²	—	— ²	—
26 AWG 0.12-0.15 mm ²	— ²	—	— ²	—
Standard UL 94V-2, .000015 [0.00038] Gold Plated				
18 AWG 0.8-0.9 mm ²	647476	2, 3, 4, 6, 9, 12, 15, 24 32, 33, 34, 36, 39, 42, 45, 54	647481	2, 3, 4, 6, 9, 12, 15, 24 32, 33, 34, 36, 39, 42, 45, 54
22 AWG 0.3-0.4 mm ²	643995	2, 3, 4, 6, 9, 12, 15, 24 32, 33, 34, 36, 39, 42, 45, 54	647497	2, 3, 4, 6, 9, 12, 15, 24 32, 33, 34, 36, 39, 42, 45, 54

¹ MTA-156 Posted Connectors (Closed End and Feed-Thru) will **Only** mate with MTA-156 connectors with locking ramp and without polarizing tabs. They will **NOT** mate with MTA-156 Quad Connectors.

² Parts can be made available upon request. Minimums may apply.

No. of Circuits	Dim.		Suffix	No. of Circuits	Dim.		Prefix/ Suffix
	A	B			A	B	
2	.468	.316	-2	9	1.560	1.408	-9
	11.89	8.03			39.62	35.76	
3	.624	.472	-3	12	2.028	1.876	1- -2
	15.85	11.99			51.51	47.65	
4	.780	.628	-4	15	2.496	2.344	1- -5
	19.81	15.95			63.40	59.54	
6	1.092	.940	-6	24	3.900	3.748	2- -4
	27.74	23.88			99.06	95.20	

Technical Documents

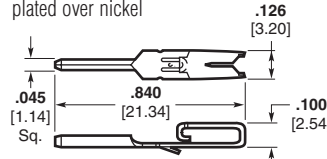
Product Specification
 108-1065 MTA-156 Posted Connector

Application Specification
 114-1020 MTA-156 Connectors, Posted Connectors and Card Edge Connectors

Replacement IDC Contacts

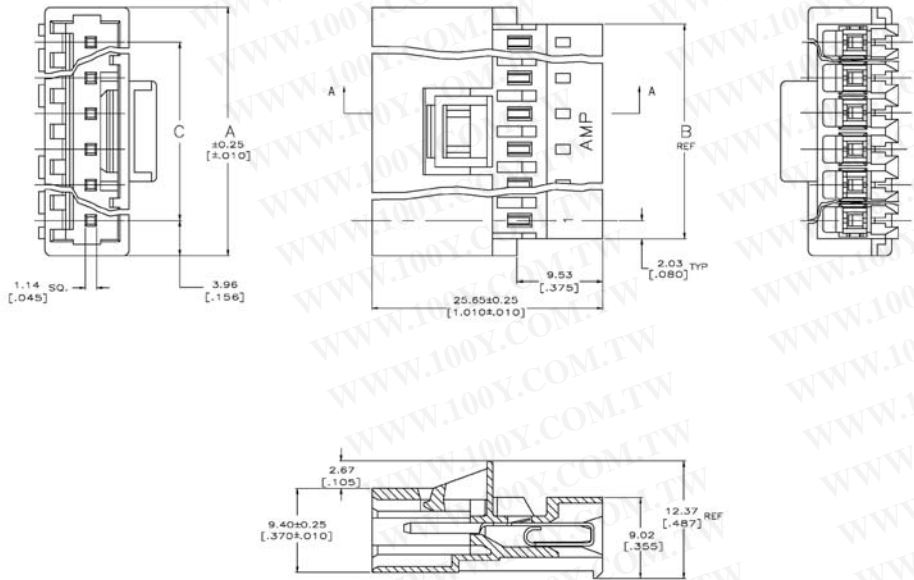
Material and Finish

Contacts — Copper alloy, post tin plated over nickel



AWG	Wire Size		Part Numbers
	mm ²		
18	0.8-0.9		3-641425-1
20	0.5-0.6		3-641426-1
22	0.3-0.4		3-641427-1
24	0.2		3-641428-1
26	0.12-0.15		3-641429-1

1. MATERIAL: CONNECTOR - NYLON UL94-V2 (RED)
 CONTACTS - 0.30(.012) THICK COPPER ALLOY
 (BRIGHT TIN-LEAD 0.0020(.000080) MIN. THICK
 FOR CONTACTS 641437-2 THRU 2-641437-4),
 (BRIGHT TIN PLATE 0.0020(.000080) MIN. THICK
 FOR CONTACTS 3-641437-2 THRU 3-641437-4).
2. CONTACTS ACCEPT #22 AWG SOLID, FUSED STRANDED OR
 STRANDED (7 STRANDS) WIRE WITH 2.41 (.095) MAX
 INSULATION DIA.
3. BOW, IN ANY DIRECTION, NOT TO EXCEED 0.15 (.006) PER IN.
4. HOUSING FEATURES: CLOSED END.
5. DIMENSIONS IN BRACKETS ARE IN INCHES.



勝特力材料 886-3-5753170
勝特力电子(上海) 86-21-54151736
勝特力电子(深圳) 86-755-83298787
[Http://www.100y.com.tw](http://www.100y.com.tw)

FINISH	C	B	A	NO. OF	PART NUMBER		
91.14	3.5581	95.20	3.7489	99.06	3.9000	24	3-641437-4
38.87	12.1981	39.54	2.3443	13.26	12.4981	15	3-641437-3
43.59	17.7161	27.05	1.8776	51.51	2.0281	12	4-641437-2
37.70	11.2481	35.76	1.4028	39.63	11.2501	9	3-641437-9
19.81	7.7821	23.88	0.9401	27.74	11.0921	6	3-641437-8
11.88	4.4681	15.95	6.2811	19.81	1.7601	4	3-641437-4
7.92	3.1211	11.99	4.9721	15.85	1.8241	3	3-641437-3
3.96	1.5601	8.03	3.1611	11.89	1.4681	2	3-641437-2
81.14	3.5581	95.20	3.7489	99.06	3.9000	24	3-641437-4
35.47	2.1841	59.24	2.3443	63.40	2.4061	15	3-641437-5
43.59	17.7161	27.05	1.8776	51.51	2.0281	12	4-641437-2
37.70	11.2481	35.76	1.4028	39.63	11.2501	9	3-641437-9
19.81	7.7821	23.88	0.9401	27.74	11.0921	6	3-641437-8
11.88	4.4681	15.95	6.2811	19.81	1.7601	4	3-641437-4
7.92	3.1211	11.99	4.9721	15.85	1.8241	3	3-641437-3
3.96	1.5601	8.03	3.1611	11.89	1.4681	2	3-641437-2

THIS DRAWING IS A CONTROLLED DOCUMENT	5. SUBMITTER'S NAME	6. DATE	7. DRAWN BY	8. CHECKED BY	9. APPROVED BY	10. PART NUMBER
	11. TITLE	12. QUANTITY	13. UNIT	14. MFG. 100	15. POSTED CONNECTOR ASSEMBLY	22 AMP
	16. CUSTOMER ORDER NO.	17. REV. NO.	18. DATE	19. BY	20. FOR THE USE OF	21. PART NUMBER
	A1007796	641437				