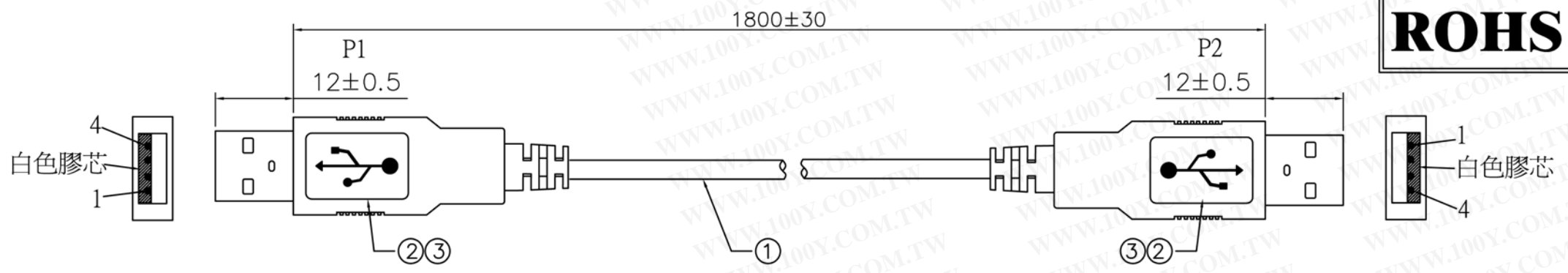
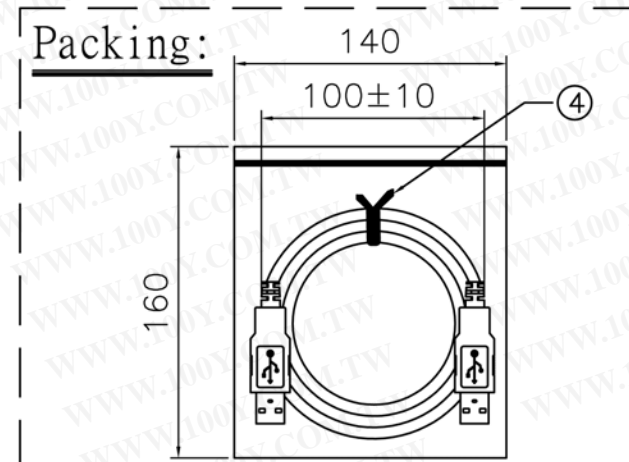


Rev	Modification Content	Validate
A	the First Edition	Cindy

ROHS

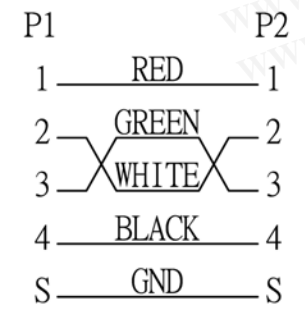


勝特力材料 886-3-5753170
 勝特力电子(上海) 86-21-54151736
 勝特力电子(深圳) 86-755-83298787
[Http://www.100y.com.tw](http://www.100y.com.tw)



NOTE:
 1). 100% TEST OPEN, SHORT & MISWIRE.
 2). INSULATION RESISTANCE: 1Mohm (MIN)

Pin Assignment:



4	Tie	BLUE TIE	1 pcs
3	Molding	P1;P2: 50P PVC 透明白	16 g
2	Connector	USB(A)M 鍍鎳, 白膠芯	2 pcs
1	Cable	UL2725 (REV:2.0) 28AWG*1P+24AWG*2C+AL+BD(64B) OD:4.5 PVC 透明白 1P*28#INSULATION:WHITE/GREEN, 2C*24#INSULATION:RED/BLACK	1800mm
NO.	P/N	DESCRIPTION	QTY

P/N	USB(A)M-USB(A)M 1.8M			
Item	AUBA41A410020180			
Drawn By	Cindy	Customer NO.	NO	N
Audited By			Unit : mm	
Date	2007-05-15	Rev.: 1.00	B098	