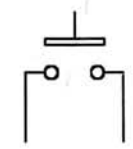
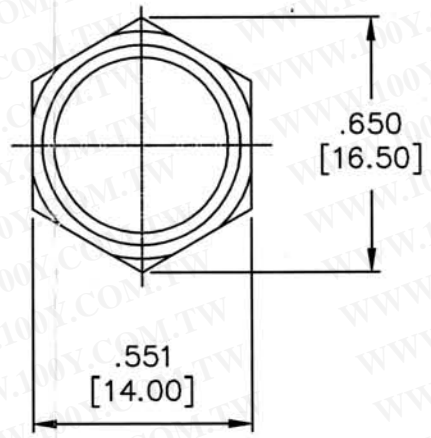
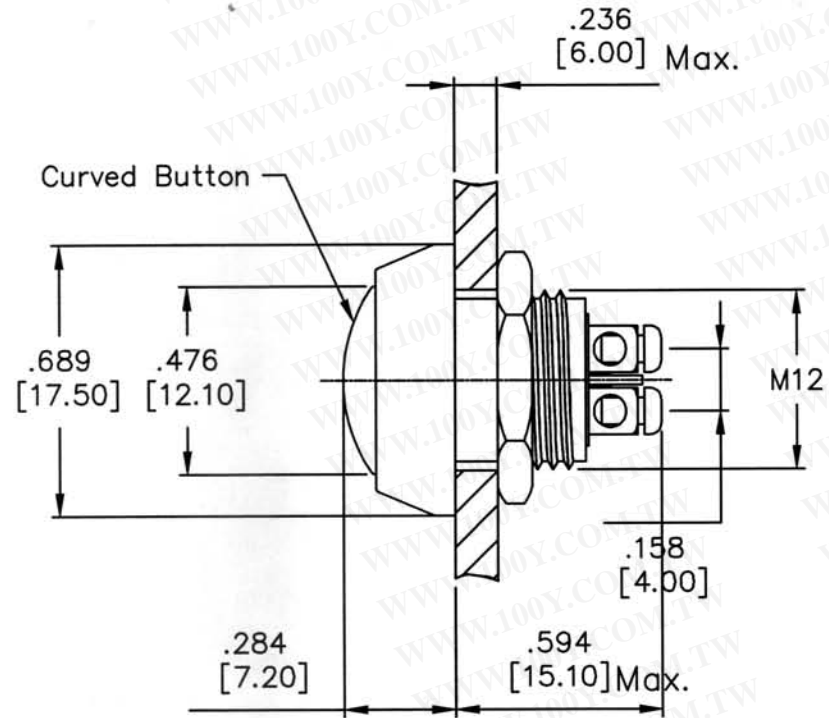


REV. 更改	DESCRIPTION 說明	ENG. 修改人	APPROVE 審核
------------	-------------------	-------------	---------------

勝特力材料 886-3-5753170
 勝特力电子(上海) 86-21-54151736
 勝特力电子(深圳) 86-755-83298787
[Http://www.100y.com.tw](http://www.100y.com.tw)



CONTACT CONFIGURATION

"x"	Button Color
R	Red
G	Green
Y	Yellow
O	Orange
B	Blue
W	White

SPECIFICATIONS:

- Contact Rating: 2A @ 36VDC.
- Electrical Life: 200,000cycles.
- Contact Resistance: 50m-ohms max (initial).
- Insulation Resistance: 1,000M-ohms min @ 500VDC.
- Dielectric Strength: 2,000V RMS 50~60Hz.
- Operating Temperature: -20°C ~ +70°C.
- Switching Circuit: OFF-MOM.
- IP Class: IP65 protection.
- Torque: 5~14Nm max. applied to nut.
- Operating Force: 5.5N max.

MATERIALS:

- Bushing: Zinc alloy, black nickel plated.
- Contact: Silver alloy.
- Nut: Nickel plated brass.
- Button & Base: PBT.

THESE DRAWINGS AND SPECIFICATIONS ARE THE PROPERTY OF TAIWAY ELECTRONICS LTD. AND SHALL NOT BE REPRODUCED COPIED OR USED IN ANY MANNER WITHOUT THE PRIOR WRITTEN CONSENT OF TAIWAY ELECTRONICS LTD.

UNLESS OTHERWISE SPECIFIED DIMENSIONS ARE IN MILLIMETERS ANGULAR TOLERANCE: ±1.0°

DIMENSIONS	TOLERANCE
0.00 TO 30.00mm	±0.20mm
30.01 TO 80.00mm	±0.25mm
80.01 TO 150.00mm	±0.30mm
150.01 ↑	±0.40mm

USED 用途	AV	APPD. 審核	Amy 2007/11/29
FINISH 處理		CHKD. 校對	Amy 2007/11/29
SCALE 比例	2 / 1	UNIT 單位	in(mm)
		DR. 製圖	Amy 2007/11/29
TITLE 名稱	Anti-Vandal Switch		
DWG NO. 圖號	AV01P-B4-M1-x		SIZE 圖紙
FILE NAME 檔案名稱	AV01P.DWG	SHEET 張	1 / 1
		REV. 更改	1

ITEM NO. 料號	AV01P-B4-M1-x
----------------	---------------