

## Features

- Low-voltage and Standard-voltage Operation
  - 2.7 ( $V_{CC} = 2.7V$  to 5.5V)
  - 1.8 ( $V_{CC} = 1.8V$  to 3.6V)
- Internally Organized 16,384 x 8 and 32,768 x 8
- Two-wire Serial Interface
- Schmitt Trigger, Filtered Inputs for Noise Suppression
- Bidirectional Data Transfer Protocol
- 1 MHz (5V), 400 kHz (2.7V, 2.5V) and 100 kHz (1.8V) Compatibility
- Write Protect Pin for Hardware and Software Data Protection
- 64-byte Page Write Mode (Partial Page Writes Allowed)
- Self-timed Write Cycle (5 ms Max)
- High Reliability
  - Endurance: One Million Write Cycles
  - Data Retention: 40 Years
- Extended Temperature and Lead-free/Halogen-free Devices Available
- 8-lead JEDEC PDIP, 8-lead JEDEC and EIAJ SOIC, 8-lead MAP, 8-lead TSSOP, 8-lead SAP and 8-ball dBGA2 Packages
- Die Sales: Wafer Form, Waffle Pack, and Bumped Wafers

勝特力材料 886-3-5753170  
 勝特力电子(上海) 86-21-54151736  
 勝特力电子(深圳) 86-755-83298787  
[Http://www.100y.com.tw](http://www.100y.com.tw)



## Two-wire Serial EEPROMs

128K (16,384 x 8)

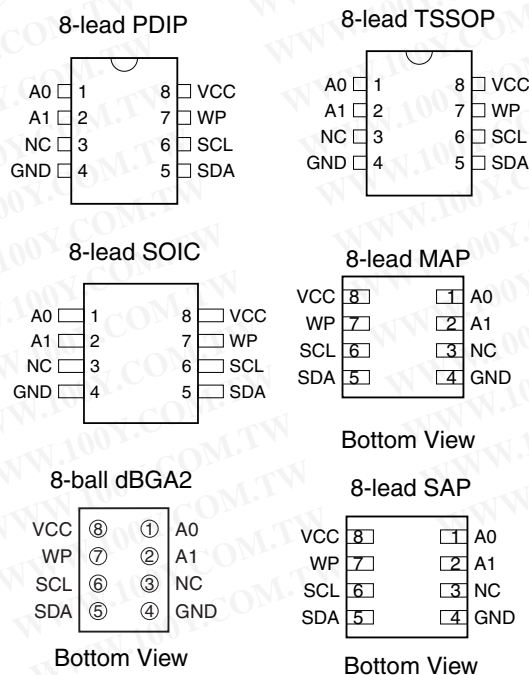
256K (32,768 x 8)

## Description

The AT24C128/256 provides 131,072/262,144 bits of serial electrically erasable and programmable read only memory (EEPROM) organized as 16,384/32,768 words of 8 bits each. The device's cascadable feature allows up to 4 devices to share a common Two-wire bus. The device is optimized for use in many industrial and commercial applications where low power and low voltage operation are essential. The devices are available in space-saving 8-lead JEDEC PDIP, 8-lead JEDEC SOIC, 8-lead EIAJ SOIC, 8-lead MAP (24C128), 8-lead TSSOP, 8-lead SOIC Array Package and 8-ball dBGA2 packages. In addition, the entire family is available in 2.7V (2.7V to 5.5V) and 1.8V (1.8V to 3.6V) versions.

Table 1. Pin Configuration

| Pin Name | Function           |
|----------|--------------------|
| A0 - A1  | Address Inputs     |
| SDA      | Serial Data        |
| SCL      | Serial Clock Input |
| WP       | Write Protect      |
| NC       | No Connect         |
| GND      | Ground             |



## AT24C128<sup>(1)</sup> AT24C256<sup>(2)</sup>

- Notes:
1. Not recommended for new design; please refer to AT24C128B datasheet.
  2. Not recommended for new design; please refer to AT24C256B datasheet.

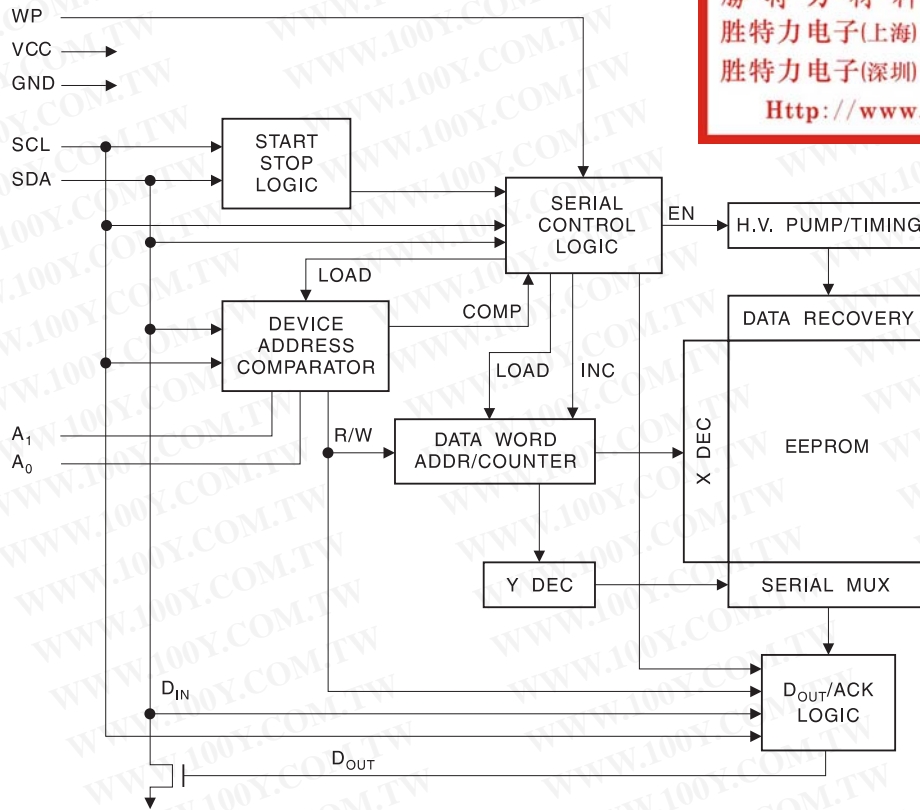


## Absolute Maximum Ratings\*

|   |                   |
|---|-------------------|
| Operating Temperature.....                        | -55° C to +125° C |
| Storage Temperature.....                          | -65° C to +150° C |
| Voltage on Any Pin<br>with Respect to Ground..... | -1.0V to +7.0V    |
| Maximum Operating Voltage.....                    | 6.25V             |
| DC Output Current.....                            | 5.0 mA            |

\*NOTICE: Stresses beyond those listed under “Absolute Maximum Ratings” may cause permanent damage to the device. This is a stress rating only and functional operation of the device at these or any other conditions beyond those indicated in the operational sections of this specification is not implied. Exposure to absolute maximum rating conditions for extended periods may affect device reliability.

Figure 1. Block Diagram



勝特力材料 886-3-5753170  
 勝特力电子(上海) 86-21-54151736  
 勝特力电子(深圳) 86-755-83298787  
[Http://www.100y.com.tw](http://www.100y.com.tw)

## Pin Description

**SERIAL CLOCK (SCL):** The SCL input is used to positive edge clock data into each EEPROM device and negative edge clock data out of each device.

**SERIAL DATA (SDA):** The SDA pin is bidirectional for serial data transfer. This pin is open-drain driven and may be wire-ORed with any number of other open-drain or open collector devices.

**DEVICE/ADDRESSES (A1, A0):** The A1 and A0 pins are device address inputs that are hardwired or left not connected for hardware compatibility with other AT24CXX devices. When the pins are hardwired, as many as four 128K/256K devices may be addressed on a single bus system (device addressing is discussed in detail under the Device Addressing section). If the pins are left floating, the A1 and A0 pins will be internally pulled down to GND if the capacitive coupling to the circuit board  $V_{CC}$  plane is  $<3$  pF. If coupling is  $>3$  pF, Atmel recommends connecting the address pins to GND.

**WRITE PROTECT (WP):** The write protect input, when connected to GND, allows normal write operations. When WP is connected high to  $V_{CC}$ , all write operations to the memory are inhibited. If the pin is left floating, the WP pin will be internally pulled down to GND if the capacitive coupling to the circuit board  $V_{CC}$  plane is  $<3$  pF. If coupling is  $>3$  pF, Atmel recommends connecting the pin to GND.

## Memory Organization

**AT24C128/256, 128K/256K SERIAL EEPROM:** The 128K/256K is internally organized as 256/512 pages of 64-bytes each. Random word addressing requires a 14/15-bit data word address.

勝特力材料 886-3-5753170  
 勝特力电子(上海) 86-21-54151736  
 勝特力电子(深圳) 86-755-83298787  
[Http://www.100y.com.tw](http://www.100y.com.tw)

**Table 2.** Pin Capacitance<sup>(1)</sup>

Applicable over recommended operating range from  $T_A = 25^\circ\text{C}$ ,  $f = 1.0\text{ MHz}$ ,  $V_{CC} = +1.8\text{V}$ .

| Symbol    | Test Condition                               | Max | Units | Conditions            |
|-----------|--|-----|-------|-----------------------|
| $C_{I/O}$ | Input/Output Capacitance (SDA)               | 8   | pF    | $V_{I/O} = 0\text{V}$ |
| $C_{IN}$  | Input Capacitance ( $A_0, A_1, \text{SCL}$ ) | 6   | pF    | $V_{IN} = 0\text{V}$  |

Note: 1. This parameter is characterized and is not 100% tested.

**Table 3.** DC Characteristics<sup>(1)</sup>

Applicable over recommended operating range from:  $T_{AI} = -40^\circ\text{C}$  to  $+85^\circ\text{C}$ ,  $V_{CC} = +1.8\text{V}$  to  $+5.5\text{V}$ ;  $T_{AE} = -40^\circ\text{C}$  to  $+125^\circ\text{C}$ <sup>(2)</sup>,  $V_{CC} = +2.7\text{V}$  to  $+5.5\text{V}$  (unless otherwise noted).

| Symbol    | Parameter                        | Test Condition                 |                               | Min                 | Typ  | Max                 | Units         |
|-----------|----------------------------------|--------------------------------|-------------------------------|---------------------|------|---------------------|---------------|
| $V_{CC1}$ | Supply Voltage                   |                                |                               | 1.8                 |      | 3.6                 | V             |
| $V_{CC2}$ | Supply Voltage                   |                                |                               | 2.5                 |      | 5.5                 | V             |
| $V_{CC3}$ | Supply Voltage                   |                                |                               | 4.5                 |      | 5.5                 | V             |
| $I_{CC1}$ | Supply Current                   | $V_{CC} = 5.0\text{V}$         | READ at 400 kHz               |                     | 1.0  | 2.0                 | mA            |
| $I_{CC2}$ | Supply Current                   | $V_{CC} = 5.0\text{V}$         | WRITE at 400 kHz              |                     | 2.0  | 3.0                 | mA            |
| $I_{SB1}$ | Standby Current<br>(1.8V option) | $V_{CC} = 1.8\text{V}$         | $V_{IN} = V_{CC}$ or $V_{SS}$ |                     |      | 0.2                 | $\mu\text{A}$ |
|           |                                  | $V_{CC} = 3.6\text{V}$         |                               |                     |      | 2.0                 | $\mu\text{A}$ |
| $I_{SB2}$ | Standby Current<br>(2.5V option) | $V_{CC} = 2.5\text{V}$         | $V_{IN} = V_{CC}$ or $V_{SS}$ |                     |      | 0.5                 | $\mu\text{A}$ |
|           |                                  | $V_{CC} = 5.5\text{V}$         |                               |                     |      | 6.0                 | $\mu\text{A}$ |
| $I_{SB3}$ | Standby Current<br>(5.0V option) | $V_{CC} = 4.5 - 5.5\text{V}$   | $V_{IN} = V_{CC}$ or $V_{SS}$ |                     |      | 6.0                 | $\mu\text{A}$ |
| $I_{LI}$  | Input Leakage Current            | $V_{IN} = V_{CC}$ or $V_{SS}$  |                               |                     | 0.10 | 3.0                 | $\mu\text{A}$ |
| $I_{LO}$  | Output Leakage Current           | $V_{OUT} = V_{CC}$ or $V_{SS}$ |                               |                     | 0.05 | 3.0                 | $\mu\text{A}$ |
| $V_{IL}$  | Input Low Level <sup>(1)</sup>   |                                |                               | -0.6                |      | $V_{CC} \times 0.3$ | V             |
| $V_{IH}$  | Input High Level <sup>(1)</sup>  |                                |                               | $V_{CC} \times 0.7$ |      | $V_{CC} + 0.5$      | V             |
| $V_{OL2}$ | Output Low Level                 | $V_{CC} = 3.0\text{V}$         | $I_{OL} = 2.1\text{ mA}$      |                     |      | 0.4                 | V             |
| $V_{OL1}$ | Output Low Level                 | $V_{CC} = 1.8\text{V}$         | $I_{OL} = 0.15\text{ mA}$     |                     |      | 0.2                 | V             |

Notes: 1.  $V_{IL}$  min and  $V_{IH}$  max are reference only and are not tested.

2. The AT24C128/256 bearing the process letter "B" on the package (the mark is located in the lower right corner on the top-side of the package) are approved for operation in the extended temperature range.

**Table 4. AC Characteristics – Industrial Temperatures**

Applicable over recommended operating range from  $T_{AI} = -40^{\circ}\text{C}$  to  $+85^{\circ}\text{C}$ ,  $V_{CC} = +1.8\text{V}$  to  $+5.5\text{V}$ ,  $CL = 100\text{ pF}$  (unless otherwise noted). Test conditions are listed in Note 2.

| Symbol                   | Parameter  | 1.8-volt                         |                        | 2.5-volt |                        | 5.0-volt |                        | Units         |
|--------------------------|--|----------------------------------|------------------------|----------|------------------------|----------|------------------------|---------------|
|                          |  | Min                              | Max                    | Min      | Max                    | Min      | Max                    |               |
| $f_{SCL}$                | Clock Frequency, SCL   |                                  | 100                    |          | 400                    |          | 1000                   | kHz           |
| $t_{LOW}$                | Clock Pulse Width Low  | 4.7                              |                        | 1.3      |                        | 0.4      |                        | $\mu\text{s}$ |
| $t_{HIGH}$               | Clock Pulse Width High   | 4.0                              |                        | 0.6      |                        | 0.4      |                        | $\mu\text{s}$ |
| $t_{AA}$                 | Clock Low to Data Out Valid  | 0.1                              | 4.5                    | 0.05     | 0.9                    | 0.05     | 0.55                   | $\mu\text{s}$ |
| $t_{BUF}$                | Time the bus must be free before a new transmission can start <sup>(1)</sup> | 4.7                              |                        | 1.3      |                        | 0.5      |                        | $\mu\text{s}$ |
| $t_{HD.STA}$             | Start Hold Time  | 4.0                              |                        | 0.6      |                        | 0.25     |                        | $\mu\text{s}$ |
| $t_{SU.STA}$             | Start Set-up Time  | 4.7                              |                        | 0.6      |                        | 0.25     |                        | $\mu\text{s}$ |
| $t_{HD.DAT}$             | Data In Hold Time  | 0                                |                        | 0        |                        | 0        |                        | $\mu\text{s}$ |
| $t_{SU.DAT}$             | Data In Set-up Time  | 200                              |                        | 100      |                        | 100      |                        | ns            |
| $t_R$                    | Inputs Rise Time <sup>(1)</sup>  |                                  | 1.0                    |          | 0.3                    |          | 0.3                    | $\mu\text{s}$ |
| $t_F$                    | Inputs Fall Time <sup>(1)</sup>  |                                  | 300                    |          | 300                    |          | 100                    | ns            |
| $t_{SU.STO}$             | Stop Set-up Time   | 4.7                              |                        | 0.6      |                        | 0.25     |                        | $\mu\text{s}$ |
| $t_{DH}$                 | Data Out Hold Time   | 100                              |                        | 50       |                        | 50       |                        | ns            |
| $t_{WR}$                 | Write Cycle Time   |                                  | 20 or 5 <sup>(3)</sup> |          | 10 or 5 <sup>(3)</sup> |          | 10 or 5 <sup>(3)</sup> | ms            |
| Endurance <sup>(1)</sup> | 25°C, Page Mode  | 100k or 1,000,000 <sup>(4)</sup> |                        |          |                        |          |                        | Write Cycles  |

Notes: 1. This parameter is characterized and is not 100% tested.

2. AC measurement conditions:

$R_L$  (connects to  $V_{CC}$ ): 1.3 k $\Omega$  (2.5V, 5V), 10 k $\Omega$  (1.8V)

Input pulse voltages: 0.3  $V_{CC}$  to 0.7  $V_{CC}$

Input rise and fall times:  $\leq 50\text{ ns}$

Input and output timing reference voltages: 0.5  $V_{CC}$

3. The Write Cycle Time of 5 ms only applies to the AT24C128/256 devices bearing the process letter "B" on the package (the mark is located in the lower right corner on the top side of the package).

4. The AT24C128/256 bearing the process letter "B" in the package (the mark is located in the lower right corner on the top side of the package), guarantees 1 million write cycle endurance (1.8 – 3.6V).

勝特力材料 886-3-5753170  
 勝特力电子(上海) 86-21-54151736  
 勝特力电子(深圳) 86-755-83298787  
[Http://www.100y.com.tw](http://www.100y.com.tw)

**Table 5.** AC Characteristics<sup>(5)</sup> – Extended Temperatures

Applicable over recommended operating range from  $T_{AE} = -40^{\circ}\text{C}$  to  $+125^{\circ}\text{C}$ ,  $V_{CC} = +2.7\text{V}$  to  $+5.5\text{V}$ ,  $CL = 100\text{ pF}$  (unless otherwise noted). Test conditions are listed in Note 2.

| Symbol                   | Parameter  | 2.7-volt                         |                        | 5.0-volt |                        | Units         |
|--------------------------|--|----------------------------------|------------------------|----------|------------------------|---------------|
|                          |  | Min                              | Max                    | Min      | Max                    |               |
| $f_{SCL}$                | Clock Frequency, SCL   |                                  | 400                    |          | 1000                   | kHz           |
| $t_{LOW}$                | Clock Pulse Width Low  | 1.3                              |                        | 0.4      |                        | $\mu\text{s}$ |
| $t_{HIGH}$               | Clock Pulse Width High   | 0.6                              |                        | 0.4      |                        | $\mu\text{s}$ |
| $t_{AA}$                 | Clock Low to Data Out Valid  | 0.05                             | 0.9                    | 0.05     | 0.55                   | $\mu\text{s}$ |
| $t_{BUF}$                | Time the bus must be free before a new transmission can start <sup>(1)</sup> | 1.3                              |                        | 0.5      |                        | $\mu\text{s}$ |
| $t_{HD.STA}$             | Start Hold Time  | 0.6                              |                        | 0.25     |                        | $\mu\text{s}$ |
| $t_{SU.STA}$             | Start Set-up Time  | 0.6                              |                        | 0.25     |                        | $\mu\text{s}$ |
| $t_{HD.DAT}$             | Data In Hold Time  | 0                                |                        | 0        |                        | $\mu\text{s}$ |
| $t_{SU.DAT}$             | Data In Set-up Time  | 100                              |                        | 100      |                        | ns            |
| $t_R$                    | Inputs Rise Time <sup>(1)</sup>  |                                  | 0.3                    |          | 0.3                    | $\mu\text{s}$ |
| $t_F$                    | Inputs Fall Time <sup>(1)</sup>  |                                  | 300                    |          | 100                    | ns            |
| $t_{SU.STO}$             | Stop Set-up Time   | 0.6                              |                        | 0.25     |                        | $\mu\text{s}$ |
| $t_{DH}$                 | Data Out Hold Time   | 50                               |                        | 50       |                        | ns            |
| $t_{WR}$                 | Write Cycle Time   |                                  | 10 or 5 <sup>(3)</sup> |          | 10 or 5 <sup>(3)</sup> | ms            |
| Endurance <sup>(1)</sup> | 25°C, Page Mode  | 100k or 1,000,000 <sup>(4)</sup> |                        |          |                        | Write Cycles  |

- Notes:
1. This parameter is characterized and is not 100% tested.
  2. AC measurement conditions:  
 $R_L$  (connects to  $V_{CC}$ ): 1.3 k $\Omega$  (2.5V, 5V), 10 k $\Omega$  (1.8V)  
 Input pulse voltages: 0.3  $V_{CC}$  to 0.7  $V_{CC}$   
 Input rise and fall times:  $\leq 50\text{ ns}$   
 Input and output timing reference voltages: 0.5  $V_{CC}$
  3. The Write Cycle Time of 5 ms only applies to the AT24C128/256 devices bearing the process letter "B" on the package (the mark is located in the lower right corner on the top side of the package).
  4. The AT24C128/256 bearing the process letter "B" in the package (the mark is located in the lower right corner on the top side of the package), guarantees 1 million write cycle endurance (1.8 – 3.6V).
  5. The AT24C128/256 bearing the process letter "B" on the package (the mark is located in the lower right corner on the top-side of the package) are approved for operation in the extended temperature range.

## Device Operation

**CLOCK and DATA TRANSITIONS:** The SDA pin is normally pulled high with an external device. Data on the SDA pin may change only during SCL low time periods (see Figure 4 on page 9). Data changes during SCL high periods will indicate a start or stop condition as defined below.

**START CONDITION:** A high-to-low transition of SDA with SCL high is a start condition which must precede any other command (see Figure 5 on page 9).

**STOP CONDITION:** A low-to-high transition of SDA with SCL high is a stop condition. After a read sequence, the stop command will place the EEPROM in a standby power mode (see Figure 5 on page 9).

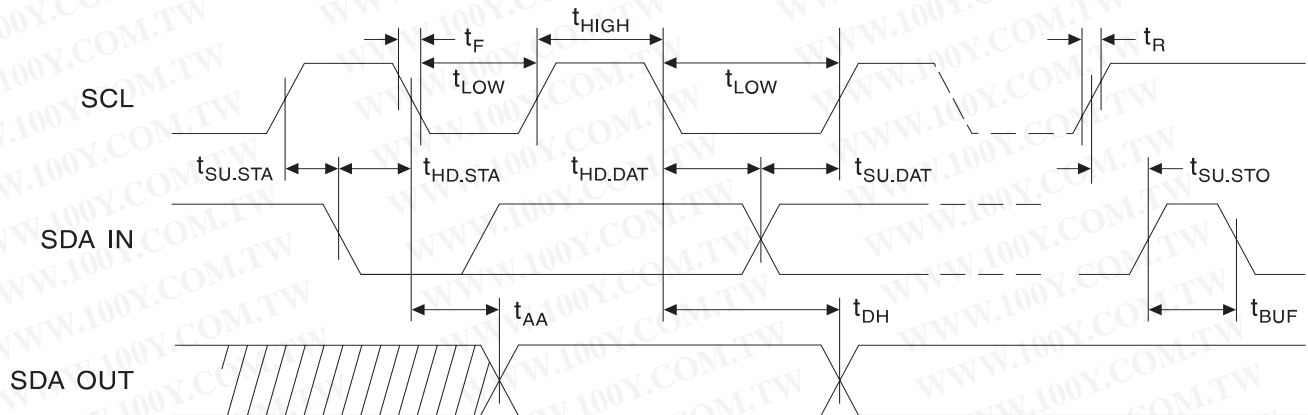
**ACKNOWLEDGE:** All addresses and data words are serially transmitted to and from the EEPROM in 8-bit words. The EEPROM sends a zero during the ninth clock cycle to acknowledge that it has received each word.

**STANDBY MODE:** The AT24C128/256 features a low power standby mode which is enabled: a) upon power-up and b) after the receipt of the STOP bit and the completion of any internal operations.

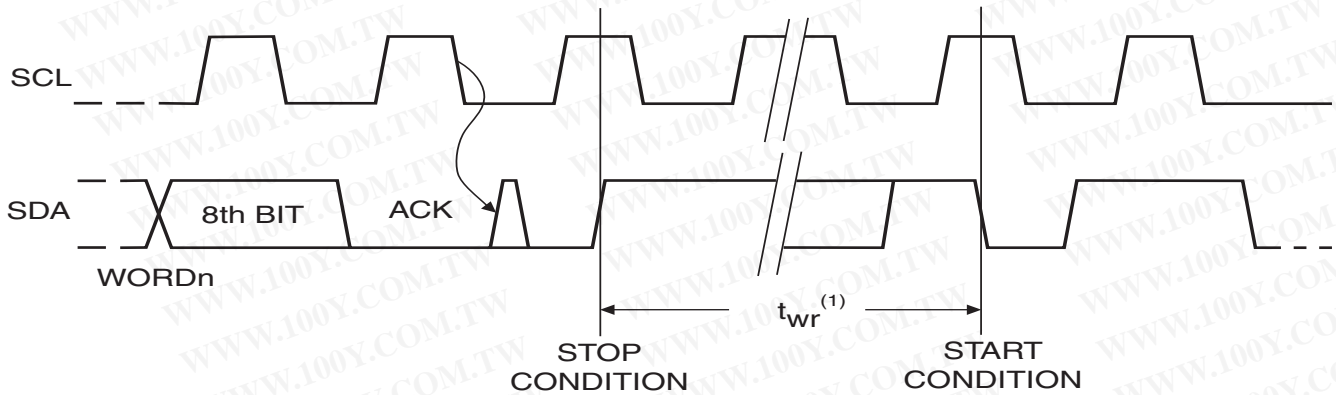
**MEMORY RESET:** After an interruption in protocol, power loss or system reset, any two-wire part can be reset by following these steps: (a) Clock up to 9 cycles, (b) look for SDA high in each cycle while SCL is high and then (c) create a start condition as SDA is high.

勝特力材料 886-3-5753170  
勝特力电子(上海) 86-21-54151736  
勝特力电子(深圳) 86-755-83298787  
[Http://www.100y.com.tw](http://www.100y.com.tw)

**Figure 2. Bus Timing (SCL: Serial Clock, SDA: Serial Data I/O®)**



**Figure 3. Write Cycle Timing (SCL: Serial Clock, SDA: Serial Data I/O)**



Note: 1. The write cycle time  $t_{wr}$  is the time from a valid stop condition of a write sequence to the end of the internal clear/write cycle.

勝特力材料 886-3-5753170  
 勝特力电子(上海) 86-21-54151736  
 勝特力电子(深圳) 86-755-83298787  
[Http://www.100y.com.tw](http://www.100y.com.tw)



Figure 4. Data Validity

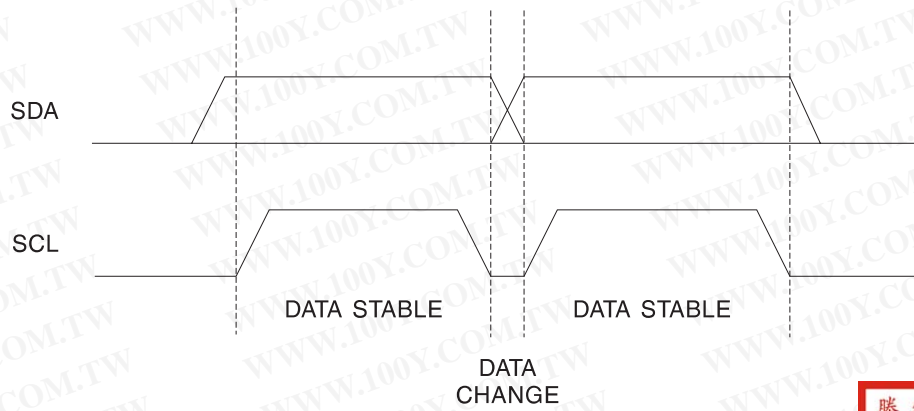
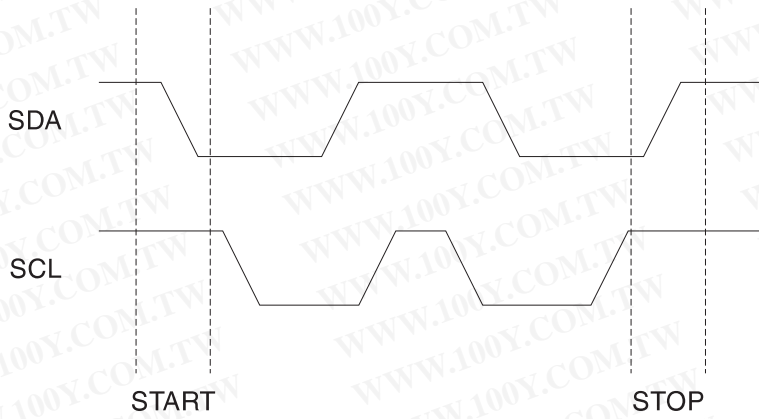
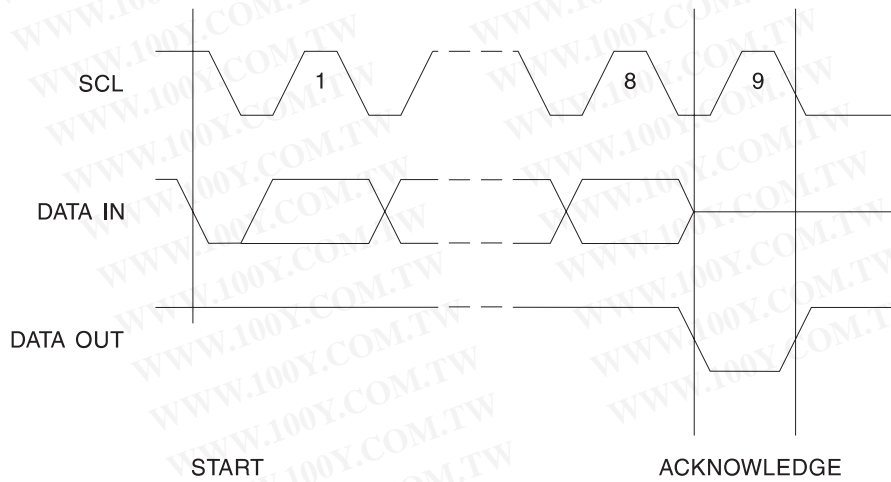


Figure 5. Start and Stop Definition



勝特力材料 886-3-5753170  
 勝特力电子(上海) 86-21-54151736  
 勝特力电子(深圳) 86-755-83298787  
[Http://www.100y.com.tw](http://www.100y.com.tw)

Figure 6. Output Acknowledge





## Device Addressing

The 128K/256K EEPROM requires an 8-bit device address word following a start condition to enable the chip for a read or write operation (see Figure 7 on page 11). The device address word consists of a mandatory one, zero sequence for the first five most significant bits as shown. This is common to all two-wire EEPROM devices.

The 128K/256K uses the two device address bits A1, A0 to allow as many as four devices on the same bus. These bits must compare to their corresponding hardwired input pins. The A1 and A0 pins use an internal proprietary circuit that biases them to a logic low condition if the pins are allowed to float.

The eighth bit of the device address is the read/write operation select bit. A read operation is initiated if this bit is high and a write operation is initiated if this bit is low.

Upon a compare of the device address, the EEPROM will output a zero. If a compare is not made, the device will return to a standby state.

**DATA SECURITY:** The AT24C128/256 has a hardware data protection scheme that allows the user to write protect the whole memory when the WP pin is at  $V_{CC}$ .

## Write Operations

**BYTE WRITE:** A write operation requires two 8-bit data word addresses following the device address word and acknowledgment. Upon receipt of this address, the EEPROM will again respond with a zero and then clock in the first 8-bit data word. Following receipt of the 8-bit data word, the EEPROM will output a zero. The addressing device, such as a microcontroller, then must terminate the write sequence with a stop condition. At this time the EEPROM enters an internally-timed write cycle,  $t_{WR}$ , to the nonvolatile memory. All inputs are disabled during this write cycle and the EEPROM will not respond until the write is complete (see Figure 8 on page 11).

**PAGE WRITE:** The 128K/256K EEPROM is capable of 64-byte page writes.

A page write is initiated the same way as a byte write, but the microcontroller does not send a stop condition after the first data word is clocked in. Instead, after the EEPROM acknowledges receipt of the first data word, the microcontroller can transmit up to 63 more data words. The EEPROM will respond with a zero after each data word received. The microcontroller must terminate the page write sequence with a stop condition (see Figure 9 on page 12).

The data word address lower 6 bits are internally incremented following the receipt of each data word. The higher data word address bits are not incremented, retaining the memory page row location. When the word address, internally generated, reaches the page boundary, the following byte is placed at the beginning of the same page. If more than 64 data words are transmitted to the EEPROM, the data word address will “roll over” and previous data will be overwritten. The address “roll over” during write is from the last byte of the current page to the first byte of the same page.

**ACKNOWLEDGE POLLING:** Once the internally-timed write cycle has started and the EEPROM inputs are disabled, acknowledge polling can be initiated. This involves sending a start condition followed by the device address word. The read/write bit is representative of the operation desired. Only if the internal write cycle has completed will the EEPROM respond with a zero, allowing the read or write sequence to continue.

勝特力材料 886-3-5753170  
勝特力电子(上海) 86-21-54151736  
勝特力电子(深圳) 86-755-83298787  
[Http://www.100y.com.tw](http://www.100y.com.tw)

## Read Operations

Read operations are initiated the same way as write operations with the exception that the read/write select bit in the device address word is set to one. There are three read operations: current address read, random address read and sequential read.

**CURRENT ADDRESS READ:** The internal data word address counter maintains the last address accessed during the last read or write operation, incremented by one. This address stays valid between operations as long as the chip power is maintained. The address “roll over” during read is from the last byte of the last memory page, to the first byte of the first page.

Once the device address with the read/write select bit set to one is clocked in and acknowledged by the EEPROM, the current address data word is serially clocked out. The microcontroller does not respond with an input zero but does generate a following stop condition (see Figure 10 on page 12).

**RANDOM READ:** A random read requires a “dummy” byte write sequence to load in the data word address. Once the device address word and data word address are clocked in and acknowledged by the EEPROM, the microcontroller must generate another start condition. The microcontroller now initiates a current address read by sending a device address with the read/write select bit high. The EEPROM acknowledges the device address and serially clocks out the data word. The microcontroller does not respond with a zero but does generate a following stop condition (see Figure 11 on page 12).

**SEQUENTIAL READ:** Sequential reads are initiated by either a current address read or a random address read. After the microcontroller receives a data word, it responds with an acknowledge. As long as the EEPROM receives an acknowledge, it will continue to increment the data word address and serially clock out sequential data words. When the memory address limit is reached, the data word address will “roll over” and the sequential read will continue. The sequential read operation is terminated when the microcontroller does not respond with a zero but does generate a following stop condition (see Figure 12 on page 12).

Figure 7. Device Address

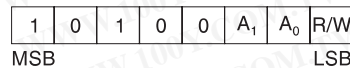
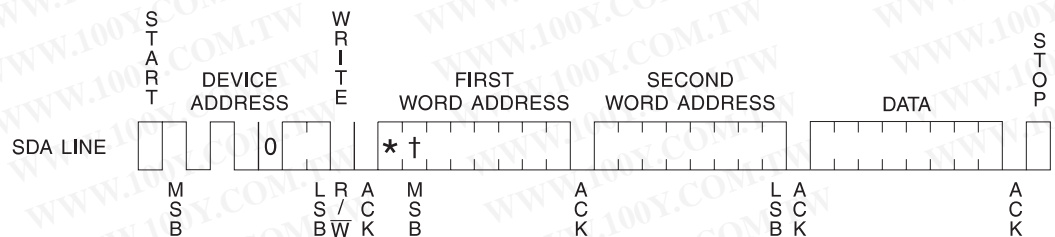
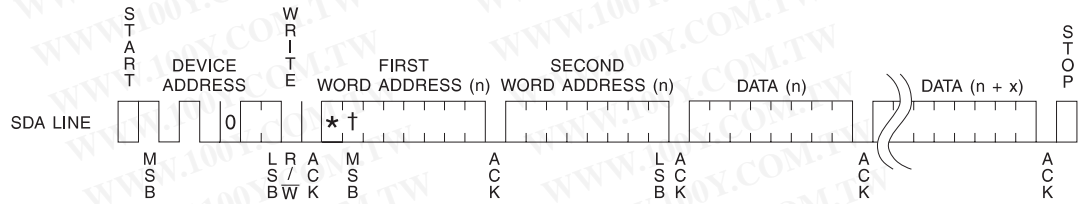


Figure 8. Byte Write



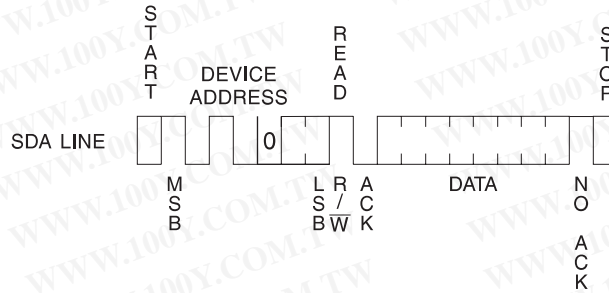
勝特力材料 886-3-5753170  
 勝特力电子(上海) 86-21-54151736  
 勝特力电子(深圳) 86-755-83298787  
[Http://www.100y.com.tw](http://www.100y.com.tw)

**Figure 9. Page Write**



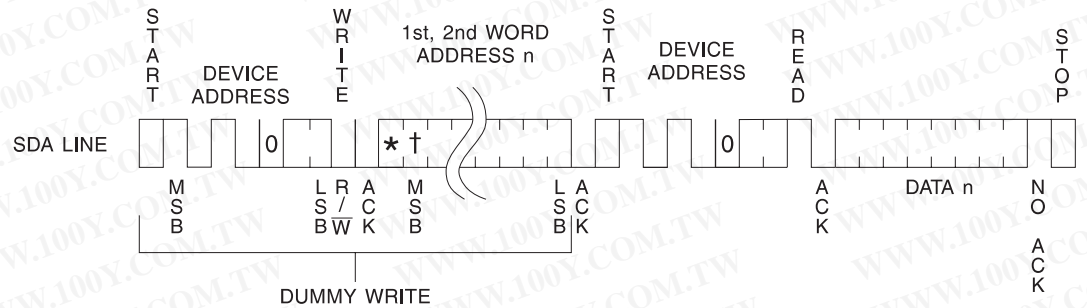
Notes: (\* = DON'T CARE bit)  
(† = DON'T CARE bit for the 128K)

**Figure 10. Current Address Read**



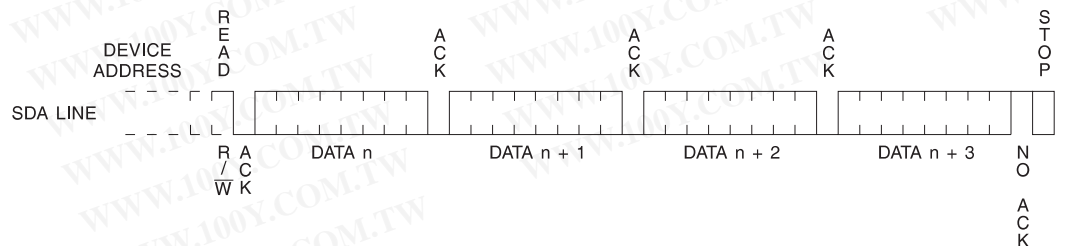
勝特力材料 86-3-5753170  
 勝特力电子(上海) 86-21-54151736  
 勝特力电子(深圳) 86-755-83298787  
[Http://www.100y.com.tw](http://www.100y.com.tw)

**Figure 11. Random Read**



Notes: (\* = DON'T CARE bit)  
(† = DON'T CARE bit for the 128K)

**Figure 12. Sequential Read**



## AT24C128 Ordering Information<sup>(1)</sup>

| Ordering Code                      | Package  | Operation Range  |
|------------------------------------|----------|--|
| AT24C128-10PU-2.7 <sup>(2)</sup>   | 8P3      | Lead-free/Halogen-free/<br>Industrial Temperature<br>(-40° C to 85° C) |
| AT24C128-10PU-1.8 <sup>(2)</sup>   | 8P3      |  |
| AT24C128N-10SU-2.7 <sup>(2)</sup>  | 8S1      |  |
| AT24C128N-10SU-1.8 <sup>(2)</sup>  | 8S1      |  |
| AT24C128W-10SU-2.7 <sup>(2)</sup>  | 8S2      |  |
| AT24C128W-10SU-1.8 <sup>(2)</sup>  | 8S2      |  |
| AT24C128-10TU-2.7 <sup>(2)</sup>   | 8A2      |  |
| AT24C128-10TU-1.8 <sup>(2)</sup>   | 8A2      |  |
| AT24C128U2-10UU-1.8 <sup>(2)</sup> | 8U2-1    |  |
| AT24C128Y1-10YU-1.8 <sup>(2)</sup> | 8Y1      |  |
| AT24C128Y4-10YU-1.8 <sup>(2)</sup> | 8Y4      |  |
| AT24C128-W1.8-11 <sup>(3)</sup>    | Die Sale | Industrial Temperature<br>(-40° C to 85° C)                            |

- Notes:
1. This device is not recommended for new design. Please refer to AT24C128B datasheet. For 2.7V devices used in the 4.5V to 5.5V range, please refer to performance values in the AC and DC characteristics tables.
  2. "U" designates Green package + RoHS compliant.
  3. Available in waffle pack and wafer form; order as SL788 for wafer form. Bumped die available upon request. Please contact Serial EEPROM Marketing.

**勝特力材料 886-3-5753170**  
**勝特力电子(上海) 86-21-54151736**  
**勝特力电子(深圳) 86-755-83298787**  
[Http://www.100y.com.tw](http://www.100y.com.tw)

| Package Type |   |
|--------------|---|
| <b>8P3</b>   | 8-lead, 0.300" Wide, Plastic Dual Inline Package (PDIP)                                   |
| <b>8S1</b>   | 8-lead, 0.150" Wide, Plastic Gull Wing Small Outline Package (JEDEC SOIC)                 |
| <b>8S2</b>   | 8-lead, 0.200" Wide, Plastic Gull Wing Small Outline Package (EIAJ SOIC)                  |
| <b>8U2-1</b> | 8-ball, die Ball Grid Array Package (dBG2)  |
| <b>8Y1</b>   | 8-lead, 4.90 mm x 3.00 mm Body, Dual Footprint, Non-leaded, Miniature Array Package (MAP) |
| <b>8Y4</b>   | 8-lead, 6.00 mm x 4.90 mm Body, Dual Footprint, Non-leaded, Small Array Package (SAP)     |
| <b>8A2</b>   | 8-lead, 4.4 mm Body, Plastic Thin Shrink Small Outline Package (TSSOP)                    |
| Options      |   |
| <b>-2.7</b>  | Low-voltage (2.7V to 5.5V)  |
| <b>-1.8</b>  | Low-voltage (1.8V to 3.6V)  |



## AT24C256 Ordering Information<sup>(1)</sup>

| Ordering Code                      | Package  | Operation Range  |
|------------------------------------|----------|--|
| AT24C256-10PU-2.7 <sup>(2)</sup>   | 8P3      | Lead-free/Halogen-free/<br>Industrial Temperature<br>(-40° C to 85° C) |
| AT24C256-10PU-1.8 <sup>(2)</sup>   | 8P3      |  |
| AT24C256N-10SU-2.7 <sup>(2)</sup>  | 8S1      |  |
| AT24C256N-10SU-1.8 <sup>(2)</sup>  | 8S1      |  |
| AT24C256W-10SU-2.7 <sup>(2)</sup>  | 8S2      |  |
| AT24C256W-10SU-1.8 <sup>(2)</sup>  | 8S2      |  |
| AT24C256-10TU-2.7 <sup>(2)</sup>   | 8A2      |  |
| AT24C256-10TU-1.8 <sup>(2)</sup>   | 8A2      |  |
| AT24C256U2-10UU-1.8 <sup>(2)</sup> | 8U2-1    |  |
| AT24C256Y1-10YU-1.8 <sup>(2)</sup> | 8Y1      |  |
| AT24C256Y4-10YU-1.8 <sup>(2)</sup> | 8Y4      |  |
| AT24C256-W1.8-11 <sup>(3)</sup>    | Die Sale | Industrial Temperature<br>(-40° C to 85° C)                            |

- Notes:
1. This device is not recommended for new design. Please refer to AT24C256B datasheet. For 2.7V devices used in the 4.5V to 5.5V range, please refer to performance values in the AC and DC characteristics tables.
  2. "U" designates Green Package + RoHS compliant.
  3. Available in waffle pack and wafer form; order as SL788 for wafer form. Bumped die available upon request. Please contact Serial EEPROM Marketing.

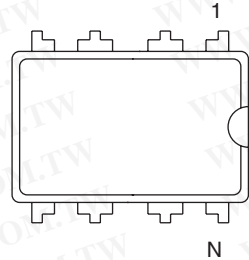
勝特力材料 886-3-5753170  
 勝特力电子(上海) 86-21-54151736  
 勝特力电子(深圳) 86-755-83298787  
[Http://www.100y.com.tw](http://www.100y.com.tw)

| Package Type |   |
|--------------|---|
| <b>8P3</b>   | 8-lead, 0.300" Wide, Plastic Dual Inline Package (PDIP)                                   |
| <b>8S1</b>   | 8-lead, 0.150" Wide, Plastic Gull Wing Small Outline Package (JEDEC SOIC)                 |
| <b>8S2</b>   | 8-lead, 0.200" Wide, Plastic Gull Wing Small Outline Package (EIAJ SOIC)                  |
| <b>8U2-1</b> | 8-ball, die Ball Grid Array Package (dBG2)  |
| <b>8Y1</b>   | 8-lead, 4.90 mm x 3.00 mm Body, Dual Footprint, Non-leaded, Miniature Array Package (MAP) |
| <b>8Y4</b>   | 8-lead, 6.00 mm x 4.90 mm Body, Dual Footprint, Non-leaded, Small Array Package (SAP)     |
| <b>8A2</b>   | 8-lead, 4.4 mm Body, Plastic Thin Shrink Small Outline Package (TSSOP)                    |
| Options      |   |
| <b>-2.7</b>  | Low-voltage (2.7V to 5.5V)  |
| <b>-1.8</b>  | Low-voltage (1.8V to 3.6V)  |

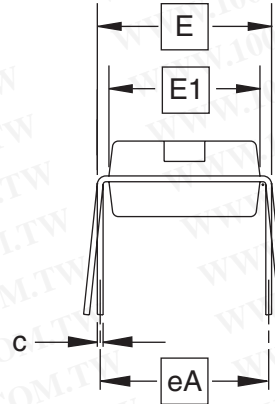
Packaging Information

8P3 – PDIP

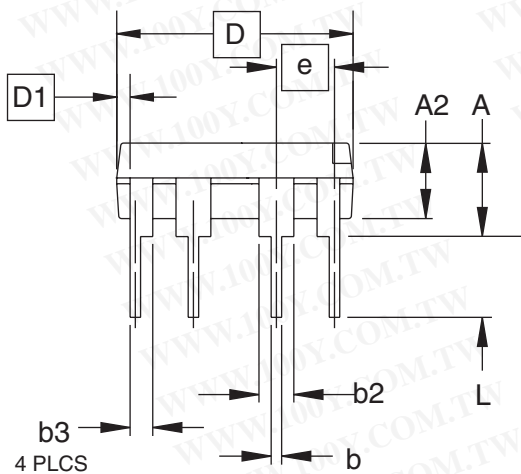
勝特力材料 886-3-5753170  
 勝特力电子(上海) 86-21-54151736  
 勝特力电子(深圳) 86-755-83298787  
[Http://www.100y.com.tw](http://www.100y.com.tw)



Top View



End View



Side View

COMMON DIMENSIONS  
(Unit of Measure = inches)

| SYMBOL | MIN       | NOM   | MAX   | NOTE |
|--------|-----------|-------|-------|------|
| A      |           |       | 0.210 | 2    |
| A2     | 0.115     | 0.130 | 0.195 |      |
| b      | 0.014     | 0.018 | 0.022 | 5    |
| b2     | 0.045     | 0.060 | 0.070 | 6    |
| b3     | 0.030     | 0.039 | 0.045 | 6    |
| c      | 0.008     | 0.010 | 0.014 |      |
| D      | 0.355     | 0.365 | 0.400 | 3    |
| D1     | 0.005     |       |       | 3    |
| E      | 0.300     | 0.310 | 0.325 | 4    |
| E1     | 0.240     | 0.250 | 0.280 | 3    |
| e      | 0.100 BSC |       |       |      |
| eA     | 0.300 BSC |       |       | 4    |
| L      | 0.115     | 0.130 | 0.150 | 2    |

- Notes:
1. This drawing is for general information only; refer to JEDEC Drawing MS-001, Variation BA for additional information.
  2. Dimensions A and L are measured with the package seated in JEDEC seating plane Gauge GS-3.
  3. D, D1 and E1 dimensions do not include mold flash or protrusions. Mold flash or protrusions shall not exceed 0.010 inch.
  4. E and eA measured with the leads constrained to be perpendicular to datum.
  5. Pointed or rounded lead tips are preferred to ease insertion.
  6. b2 and b3 maximum dimensions do not include Dambar protrusions. Dambar protrusions shall not exceed 0.010 (0.25 mm).

01/09/02



2325 Orchard Parkway  
 San Jose, CA 95131

TITLE

8P3, 8-lead, 0.300" Wide Body, Plastic Dual  
 In-line Package (PDIP)

DRAWING NO.

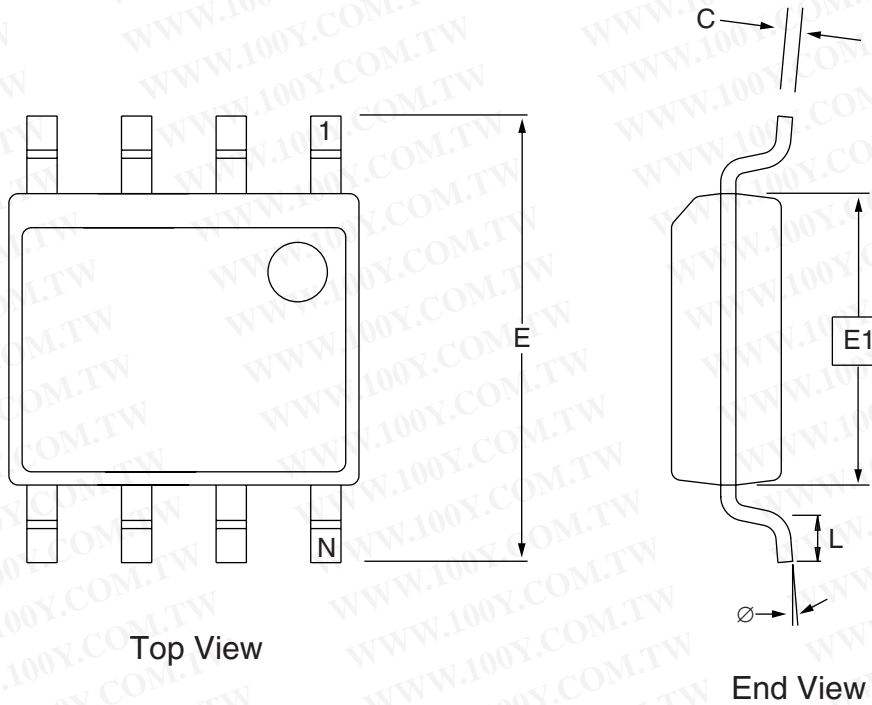
8P3

REV.

B



### 8S1 – JEDEC SOIC



**COMMON DIMENSIONS**  
(Unit of Measure = mm)

| SYMBOL | MIN      | NOM | MAX  | NOTE |
|--------|----------|-----|------|------|
| A      | 1.35     | –   | 1.75 |      |
| A1     | 0.10     | –   | 0.25 |      |
| b      | 0.31     | –   | 0.51 |      |
| C      | 0.17     | –   | 0.25 |      |
| D      | 4.80     | –   | 5.00 |      |
| E1     | 3.81     | –   | 3.99 |      |
| E      | 5.79     | –   | 6.20 |      |
| e      | 1.27 BSC |     |      |      |
| L      | 0.40     | –   | 1.27 |      |
| ∅      | 0°       | –   | 8°   |      |

Note: These drawings are for general information only. Refer to JEDEC Drawing MS-012, Variation AA for proper dimensions, tolerances, datums, etc.

10/7/03



1150 E. Cheyenne Mtn. Blvd.  
Colorado Springs, CO 80906

**TITLE**  
8S1, 8-lead (0.150" Wide Body), Plastic Gull Wing  
Small Outline (JEDEC SOIC)

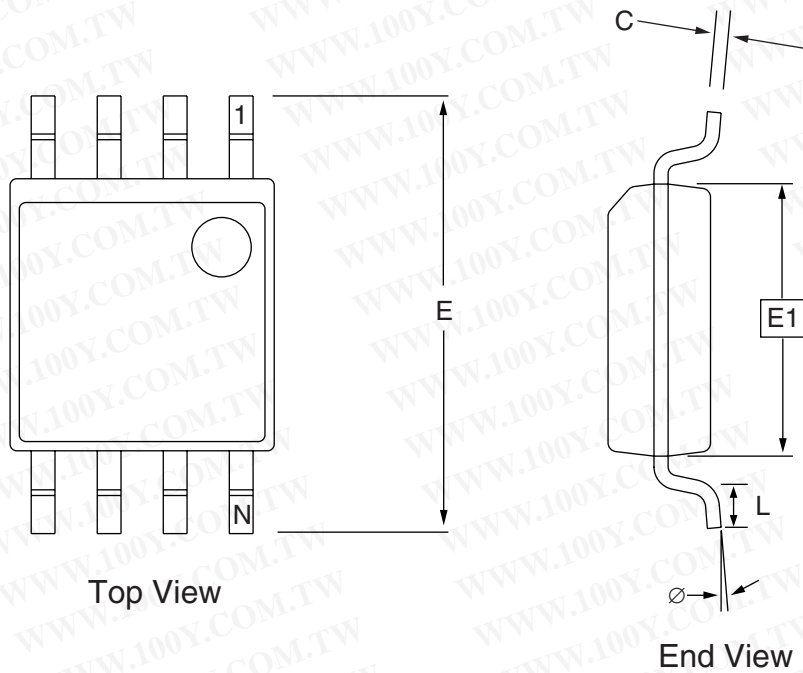
**DRAWING NO.**  
8S1

**REV.**  
B



8S2 – EIAJ SOIC

勝特力材料 886-3-5753170  
 勝特力电子(上海) 86-21-54151736  
 勝特力电子(深圳) 86-755-83298787  
[Http://www.100y.com.tw](http://www.100y.com.tw)



**COMMON DIMENSIONS**  
(Unit of Measure = mm)

| SYMBOL        | MIN      | NOM | MAX  | NOTE |
|---------------|----------|-----|------|------|
| A             | 1.70     |     | 2.16 |      |
| A1            | 0.05     |     | 0.25 |      |
| b             | 0.35     |     | 0.48 | 5    |
| C             | 0.15     |     | 0.35 | 5    |
| D             | 5.13     |     | 5.35 |      |
| E1            | 5.18     |     | 5.40 | 2, 3 |
| E             | 7.70     |     | 8.26 |      |
| L             | 0.51     |     | 0.85 |      |
| $\varnothing$ | 0°       |     | 8°   |      |
| e             | 1.27 BSC |     |      | 4    |

- Notes: 1. This drawing is for general information only; refer to EIAJ Drawing EDR-7320 for additional information.  
 2. Mismatch of the upper and lower dies and resin burrs are not included.  
 3. It is recommended that upper and lower cavities be equal. If they are different, the larger dimension shall be regarded.  
 4. Determines the true geometric position.  
 5. Values b and C apply to pb/Sn solder plated terminal. The standard thickness of the solder layer shall be 0.010 +0.010/-0.005 mm.

10/7/03



2325 Orchard Parkway  
 San Jose, CA 95131

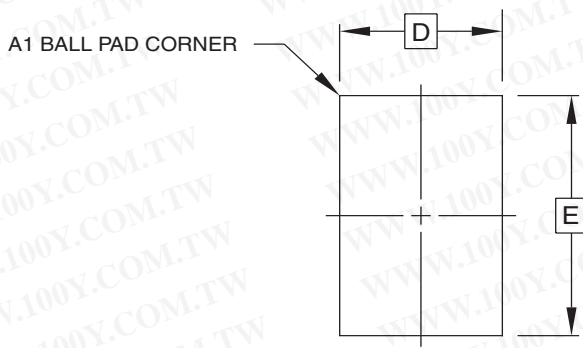
**TITLE**  
**8S2**, 8-lead, 0.209" Body, Plastic Small  
 Outline Package (EIAJ)

**DRAWING NO.**  
 8S2

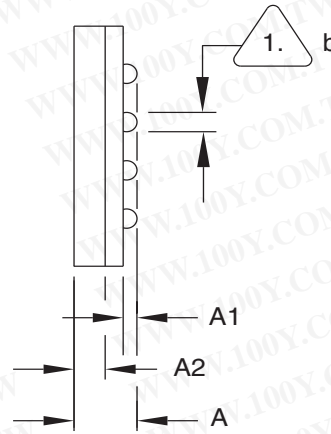
**REV.**  
 C



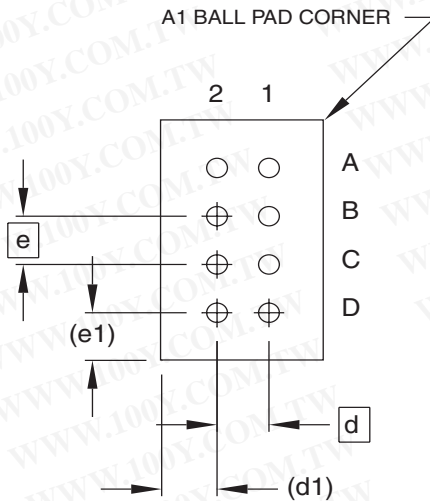
# 8U2-1 – dBGA2



Top View



Side View



Bottom View  
8 Solder Balls

勝特力材料 886-3-5753170  
 勝特力电子(上海) 86-21-54151736  
 勝特力电子(深圳) 86-755-83298787  
[Http://www.100y.com.tw](http://www.100y.com.tw)

**COMMON DIMENSIONS**  
(Unit of Measure = mm)

| SYMBOL | MIN  | NOM      | MAX  | NOTE |
|--------|------|----------|------|------|
| A      | 0.81 | 0.91     | 1.00 |      |
| A1     | 0.15 | 0.20     | 0.25 |      |
| A2     | 0.40 | 0.45     | 0.50 |      |
| b      | 0.25 | 0.30     | 0.35 | 2    |
| D      |      | 2.35 BSC |      |      |
| E      |      | 3.73 BSC |      |      |
| e      |      | 0.75 BSC |      |      |
| e1     |      | 0.74 REF |      |      |
| d      |      | 0.75 BSC |      |      |
| d1     |      | 0.80 REF |      |      |

1. This drawing is for general information only.
2. Dimension 'b' is measured at the maximum solder ball diameter.

6/24/03



1150 E. Cheyenne Mtn. Blvd.  
Colorado Springs, CO 80906

**TITLE**

**8U2-1**, 8-ball, 2.35 x 3.73 mm Body, 0.75 mm pitch,  
Small Die Ball Grid Array Package (dBGA2)

**DRAWING NO.**

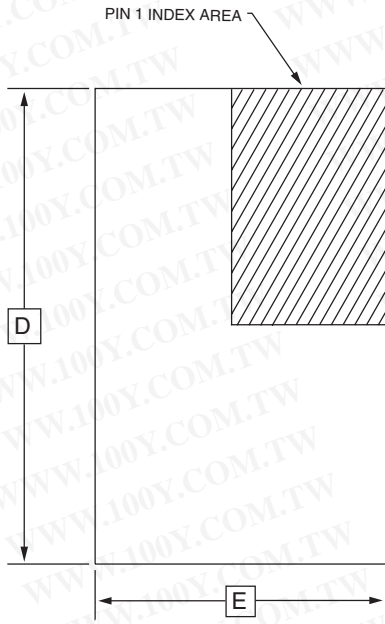
PO8U2-1

**REV.**

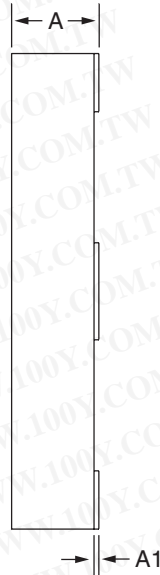
A

8Y1 – MAP

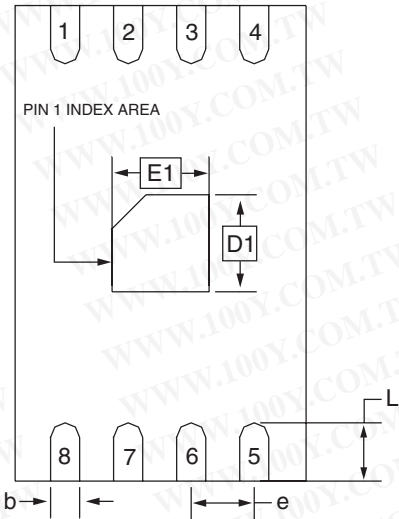
勝特力材料 886-3-5753170  
 勝特力电子(上海) 86-21-54151736  
 勝特力电子(深圳) 86-755-83298787  
[Http://www.100y.com.tw](http://www.100y.com.tw)



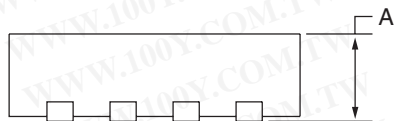
Top View



End View



Bottom View



Side View

**COMMON DIMENSIONS**  
(Unit of Measure = mm)

| SYMBOL | MIN      | NOM  | MAX  | NOTE |
|--------|----------|------|------|------|
| A      | -        | -    | 0.90 |      |
| A1     | 0.00     | -    | 0.05 |      |
| D      | 4.70     | 4.90 | 5.10 |      |
| E      | 2.80     | 3.00 | 3.20 |      |
| D1     | 0.85     | 1.00 | 1.15 |      |
| E1     | 0.85     | 1.00 | 1.15 |      |
| b      | 0.25     | 0.30 | 0.35 |      |
| e      | 0.65 TYP |      |      |      |
| L      | 0.50     | 0.60 | 0.70 |      |

2/28/03



2325 Orchard Parkway  
 San Jose, CA 95131

**TITLE**

8Y1, 8-lead (4.90 x 3.00 mm Body) MSOP Array Package  
 (MAP) Y1

**DRAWING NO.**

8Y1

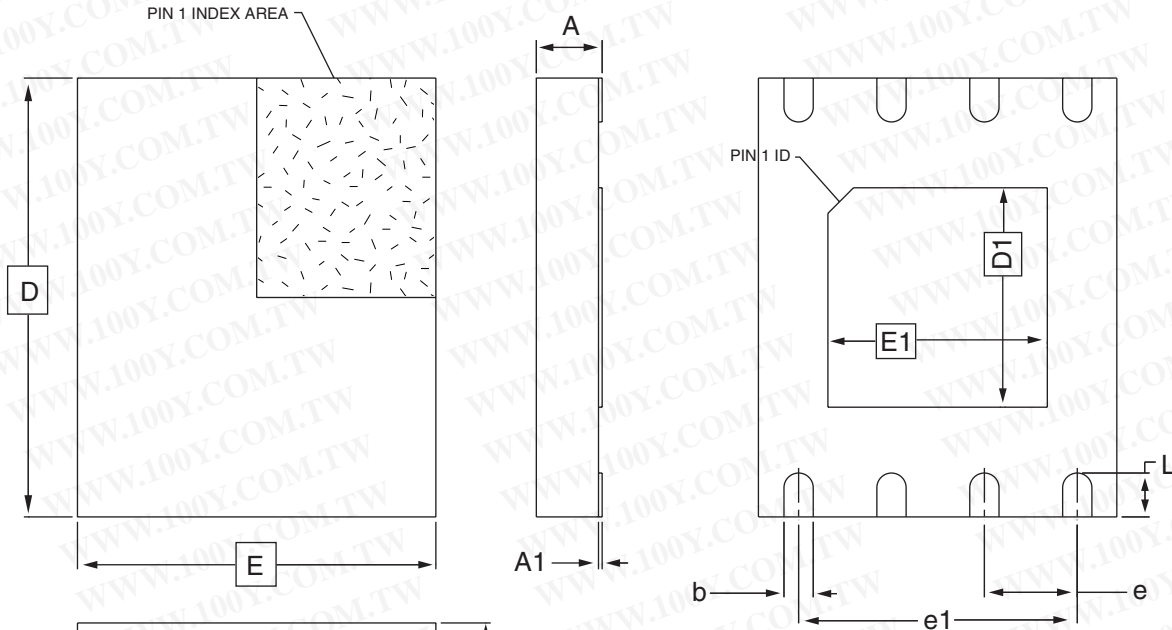
**REV.**

C



8Y4 – SAP

勝特力材料 886-3-5753170  
 勝特力电子(上海) 86-21-54151736  
 勝特力电子(深圳) 86-755-83298787  
[Http://www.100y.com.tw](http://www.100y.com.tw)



**COMMON DIMENSIONS**  
(Unit of Measure = mm)

| SYMBOL | MIN      | NOM  | MAX  | NOTE |
|--------|----------|------|------|------|
| A      | -        | -    | 0.90 |      |
| A1     | 0.00     | -    | 0.05 |      |
| D      | 5.80     | 6.00 | 6.20 |      |
| E      | 4.70     | 4.90 | 5.10 |      |
| D1     | 2.85     | 3.00 | 3.15 |      |
| E1     | 2.85     | 3.00 | 3.15 |      |
| b      | 0.35     | 0.40 | 0.45 |      |
| e      | 1.27 TYP |      |      |      |
| e1     | 3.81 REF |      |      |      |
| L      | 0.50     | 0.60 | 0.70 |      |

5/24/04



1150 E. Cheyenne Mtn. Blvd.  
 Colorado Springs, CO 80906

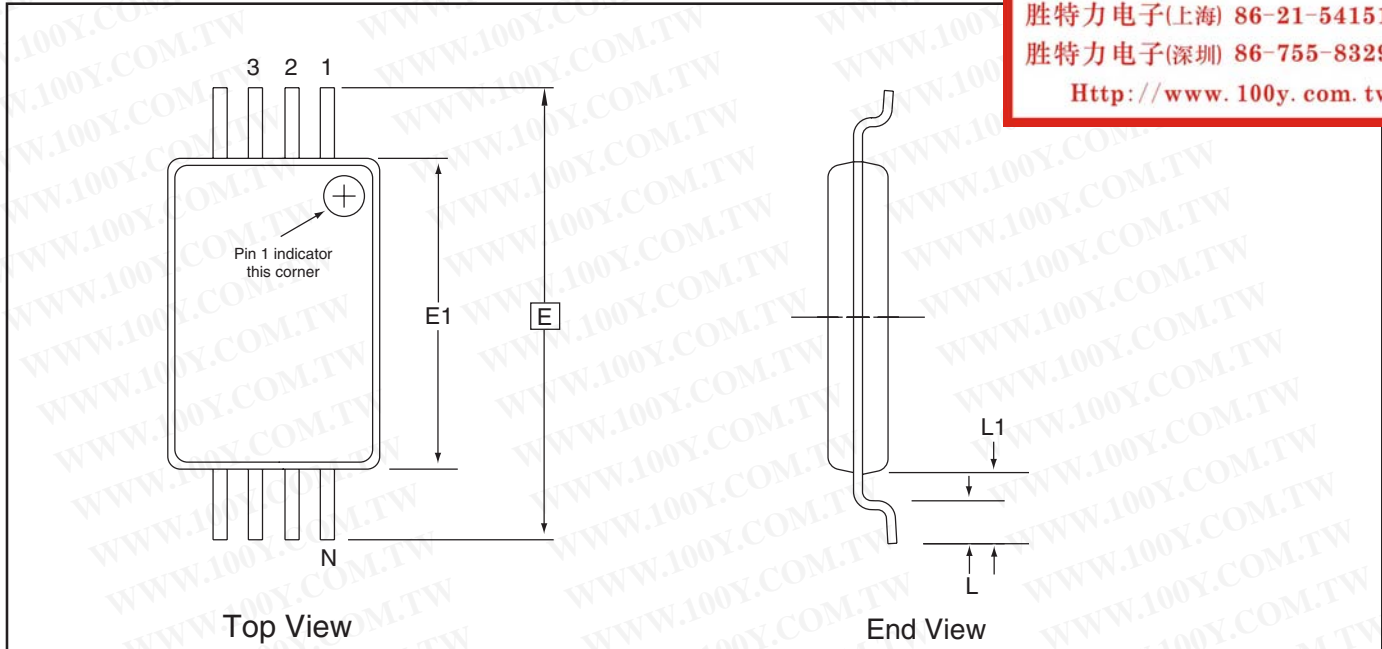
**TITLE**  
**8Y4**, 8-lead (6.00 x 4.90 mm Body) SOIC Array Package  
 (SAP) Y4

|                    |             |
|--------------------|-------------|
| <b>DRAWING NO.</b> | <b>REV.</b> |
| 8Y4                | A           |



## 8A2 – TSSOP

勝特力材料 886-3-5753170  
 勝特力电子(上海) 86-21-54151736  
 勝特力电子(深圳) 86-755-83298787  
[Http://www.100y.com.tw](http://www.100y.com.tw)

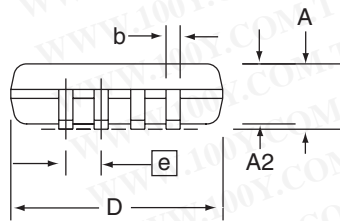


Top View

End View

**COMMON DIMENSIONS**  
(Unit of Measure = mm)

| SYMBOL | MIN      | NOM  | MAX  | NOTE |
|--------|----------|------|------|------|
| D      | 2.90     | 3.00 | 3.10 | 2, 5 |
| E      | 6.40 BSC |      |      |      |
| E1     | 4.30     | 4.40 | 4.50 | 3, 5 |
| A      | -        | -    | 1.20 |      |
| A2     | 0.80     | 1.00 | 1.05 |      |
| b      | 0.19     | -    | 0.30 | 4    |
| e      | 0.65 BSC |      |      |      |
| L      | 0.45     | 0.60 | 0.75 |      |
| L1     | 1.00 REF |      |      |      |



Side View

- Notes:
1. This drawing is for general information only. Refer to JEDEC Drawing MO-153, Variation AA, for proper dimensions, tolerances, datums, etc.
  2. Dimension D does not include mold Flash, protrusions or gate burrs. Mold Flash, protrusions and gate burrs shall not exceed 0.15 mm (0.006 in) per side.
  3. Dimension E1 does not include inter-lead Flash or protrusions. Inter-lead Flash and protrusions shall not exceed 0.25 mm (0.010 in) per side.
  4. Dimension b does not include Dambar protrusion. Allowable Dambar protrusion shall be 0.08 mm total in excess of the b dimension at maximum material condition. Dambar cannot be located on the lower radius of the foot. Minimum space between protrusion and adjacent lead is 0.07 mm.
  5. Dimension D and E1 to be determined at Datum Plane H.

5/30/02



2325 Orchard Parkway  
San Jose, CA 95131

**TITLE**  
**8A2**, 8-lead, 4.4 mm Body, Plastic  
Thin Shrink Small Outline Package (TSSOP)

|                    |             |
|--------------------|-------------|
| <b>DRAWING NO.</b> | <b>REV.</b> |
| 8A2                | B           |





## Revision History

| Doc. Rev. | Date   | Comments   |
|-----------|--------|--|
| 0670T     | 3/2007 | Added note 'Not recommended for new design' to AT24C128  |
| 0670S     | 5/2006 | Implemented Revision History page; Added Note 1 "Not recommended for new design; please refer to AT24C256B datasheet" to AT24C256 part on Pages 1 and 14 |

勝特力材料 886-3-5753170  
勝特力电子(上海) 86-21-54151736  
勝特力电子(深圳) 86-755-83298787  
[Http://www.100y.com.tw](http://www.100y.com.tw)



勝特力材料 886-3-5753170  
勝特力电子(上海) 86-21-54151736  
勝特力电子(深圳) 86-755-83298787  
[Http://www.100y.com.tw](http://www.100y.com.tw)

## Atmel Corporation

2325 Orchard Parkway  
San Jose, CA 95131, USA  
Tel: 1(408) 441-0311  
Fax: 1(408) 487-2600

## Regional Headquarters

### Europe

Atmel Sarl  
Route des Arsenalux 41  
Case Postale 80  
CH-1705 Fribourg  
Switzerland  
Tel: (41) 26-426-5555  
Fax: (41) 26-426-5500

### Asia

Room 1219  
Chinachem Golden Plaza  
77 Mody Road Tsimshatsui  
East Kowloon  
Hong Kong  
Tel: (852) 2721-9778  
Fax: (852) 2722-1369

### Japan

9F, Tonetsu Shinkawa Bldg.  
1-24-8 Shinkawa  
Chuo-ku, Tokyo 104-0033  
Japan  
Tel: (81) 3-3523-3551  
Fax: (81) 3-3523-7581

## Atmel Operations

### Memory

2325 Orchard Parkway  
San Jose, CA 95131, USA  
Tel: 1(408) 441-0311  
Fax: 1(408) 436-4314

### Microcontrollers

2325 Orchard Parkway  
San Jose, CA 95131, USA  
Tel: 1(408) 441-0311  
Fax: 1(408) 436-4314

### La Chantrerie

BP 70602  
44306 Nantes Cedex 3, France  
Tel: (33) 2-40-18-18-18  
Fax: (33) 2-40-18-19-60

### ASIC/ASSP/Smart Cards

Zone Industrielle  
13106 Rousset Cedex, France  
Tel: (33) 4-42-53-60-00  
Fax: (33) 4-42-53-60-01

1150 East Cheyenne Mtn. Blvd.  
Colorado Springs, CO 80906, USA  
Tel: 1(719) 576-3300  
Fax: 1(719) 540-1759

Scottish Enterprise Technology Park  
Maxwell Building  
East Kilbride G75 0QR, Scotland  
Tel: (44) 1355-803-000  
Fax: (44) 1355-242-743

### RF/Automotive

Theresienstrasse 2  
Postfach 3535  
74025 Heilbronn, Germany  
Tel: (49) 71-31-67-0  
Fax: (49) 71-31-67-2340

1150 East Cheyenne Mtn. Blvd.  
Colorado Springs, CO 80906, USA  
Tel: 1(719) 576-3300  
Fax: 1(719) 540-1759

### Biometrics/Imaging/Hi-Rel MPU/ High Speed Converters/RF Datacom

Avenue de Rochepleine  
BP 123  
38521 Saint-Egreve Cedex, France  
Tel: (33) 4-76-58-30-00  
Fax: (33) 4-76-58-34-80

## Literature Requests

[www.atmel.com/literature](http://www.atmel.com/literature)

**Disclaimer:** The information in this document is provided in connection with Atmel products. No license, express or implied, by estoppel or otherwise, to any intellectual property right is granted by this document or in connection with the sale of Atmel products. **EXCEPT AS SET FORTH IN ATMEL'S TERMS AND CONDITIONS OF SALE LOCATED ON ATMEL'S WEB SITE, ATMEL ASSUMES NO LIABILITY WHATSOEVER AND DISCLAIMS ANY EXPRESS, IMPLIED OR STATUTORY WARRANTY RELATING TO ITS PRODUCTS INCLUDING, BUT NOT LIMITED TO, THE IMPLIED WARRANTY OF MERCHANTABILITY, FITNESS FOR A PARTICULAR PURPOSE, OR NON-INFRINGEMENT. IN NO EVENT SHALL ATMEL BE LIABLE FOR ANY DIRECT, INDIRECT, CONSEQUENTIAL, PUNITIVE, SPECIAL OR INCIDENTAL DAMAGES (INCLUDING, WITHOUT LIMITATION, DAMAGES FOR LOSS OF PROFITS, BUSINESS INTERRUPTION, OR LOSS OF INFORMATION) ARISING OUT OF THE USE OR INABILITY TO USE THIS DOCUMENT, EVEN IF ATMEL HAS BEEN ADVISED OF THE POSSIBILITY OF SUCH DAMAGES.** Atmel makes no representations or warranties with respect to the accuracy or completeness of the contents of this document and reserves the right to make changes to specifications and product descriptions at any time without notice. Atmel does not make any commitment to update the information contained herein. Unless specifically provided otherwise, Atmel products are not suitable for, and shall not be used in, automotive applications. Atmel's products are not intended, authorized, or warranted for use as components in applications intended to support or sustain life.

© 2007 Atmel Corporation. All rights reserved. Atmel®, logo and combinations thereof, Everywhere You Are® and others, are registered trademarks or trademarks of Atmel Corporation or its subsidiaries. Other terms and product names may be trademarks of others.



Printed on recycled paper.

0670T-SEEPR-3/07