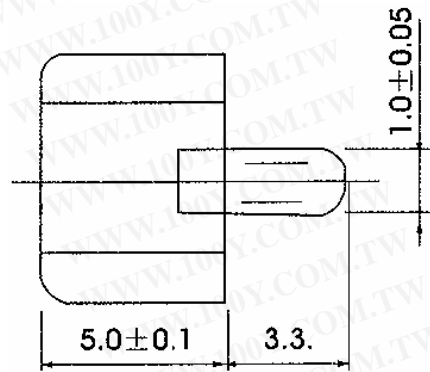
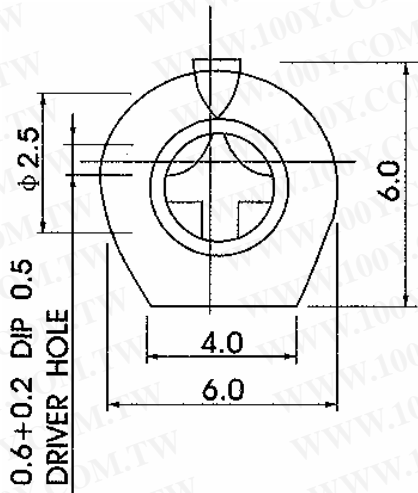
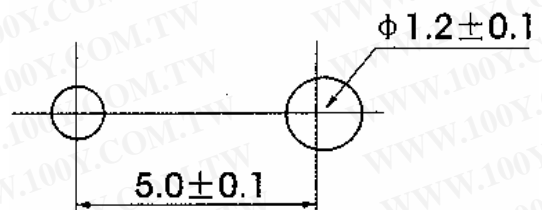
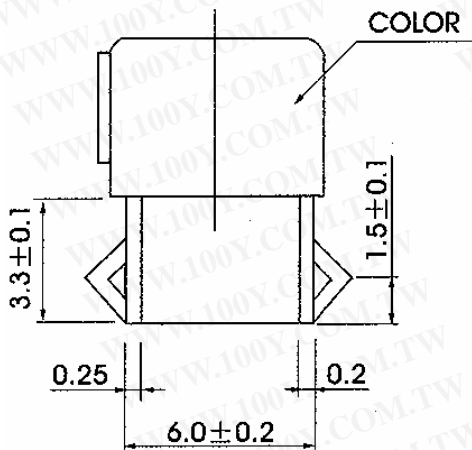


● 外形与安装 OUTLINE & MOUNTING

● JML 06-1 TRIMMER CAPACITORS



胜特力材料 886-3-5753170
胜特力电子(上海) 86-21-54151736
胜特力电子(深圳) 86-755-83298787
[Http://www.100y.com.tw](http://www.100y.com.tw)



JML 06 TRIMMER CAPACITORS

Ratings and characteristics

Part NO	Capacitance(PF)		Q 1MHz.C Max.	Temp.Coeff Ppm/	Remarks
	Min	Max			
() 06 A 030	Less than 1.3	3.0 +50 -0%	300min	NPO ± 250	Black
() 06 A 050	2.0	5.0 +50 - 0%			Blue
() 06 C 100	3.0	10.0 + 50 - 0 %			White
() 06 C 200	5.0	20.0 + 50 - 0 %		N750 ± 250	Red
() 06 E 300	6.5	30.0 + 50 - 0 %		N1000 ± 500	Green
() 06 F 400	7.0	40.0 + 50 - 10 %	200min	N2200 ± 800	Yellow
() 06 F 500	10.0	50.0 + 50 - 10 %			Brown
() 06 F 600	12.0	60.0 + 50 - 10 %			Brown
() 06 F 700	15.0	70.0 + 50 - 10 %			Brown

Rated voltage :100 VDC

Insulation Qesistance: : 10⁴M min

Working Temperature Range : - 25 to + 85

Withstanding voltage :220 VDC

Torque :15 ~ 150g.cm

胜特力材料 886-3-5753170
 胜特力电子(上海) 86-21-54151736
 胜特力电子(深圳) 86-755-83298787
[Http://www.100y.com.tw](http://www.100y.com.tw)