

勝特力材料 886-3-5753170
 勝特力电子(上海) 86-21-54151736
 勝特力电子(深圳) 86-755-83298787
[Http://www.100y.com.tw](http://www.100y.com.tw)

AD6-C111 PhotoMOS Relay

FEATURES 特点

- DIP 6 Pins Package
- High Reliability 高稳定性
- High Input/Output Isolation 高输入/输出隔离
- Low On-State Resistance 低接通阻抗
- UL,CSA & BABT

Application

- Security Alarm System 安全警报系统
- Telecom Switching 电信开关
- Test and Measurement Equipment 测试和测量仪器
- Medical Equipment 医疗仪器
- Industrial Control 工业控制

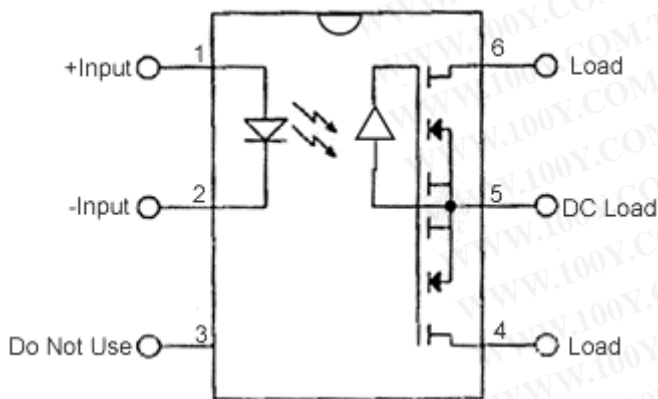


ORDERING INFORMATION 订货编号

Part No.	Load	Contact Form	Voltage	Load Current	On Resistance	I/O Isolation Voltage	Package
AD6-C111	AC/DC	1 Form A	400V	120mA	25 Ω	Nil:2500V H:3750V	Nil:DIP S:SMD

Outline Dimension 外观尺寸

Schematic



Absolute Maximum Ratings (Ambient Temperature:25°C) 绝对最大负载定额参数

Item	Symbol	AD6-C111	Units	Note
Input 输入	I_F	50	mA	---

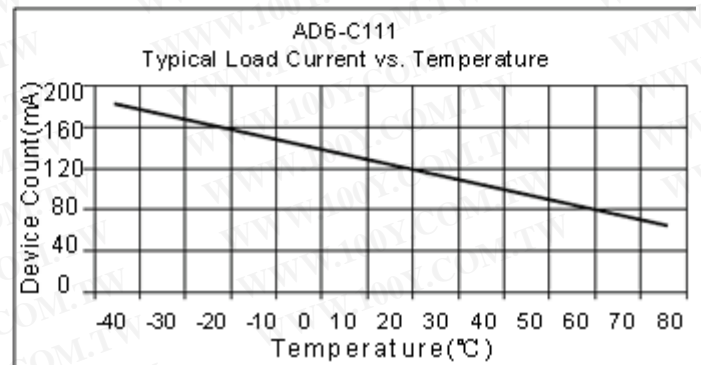
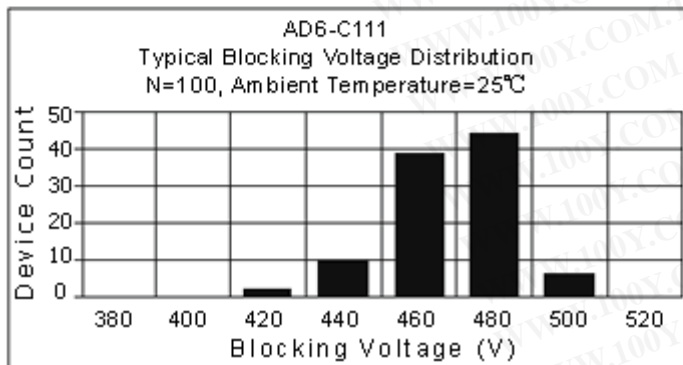
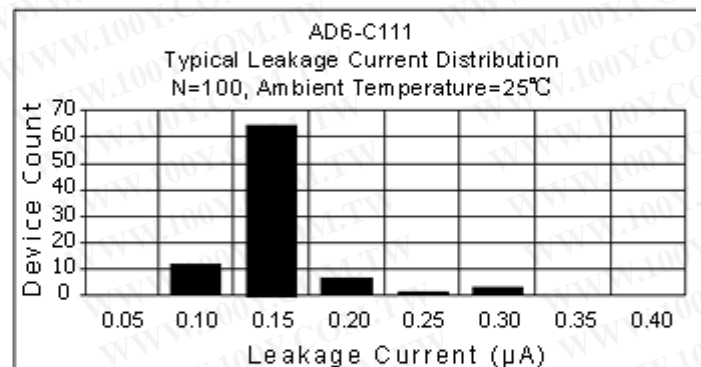
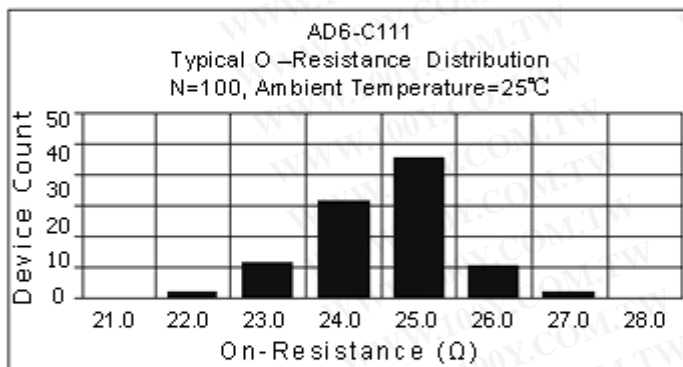
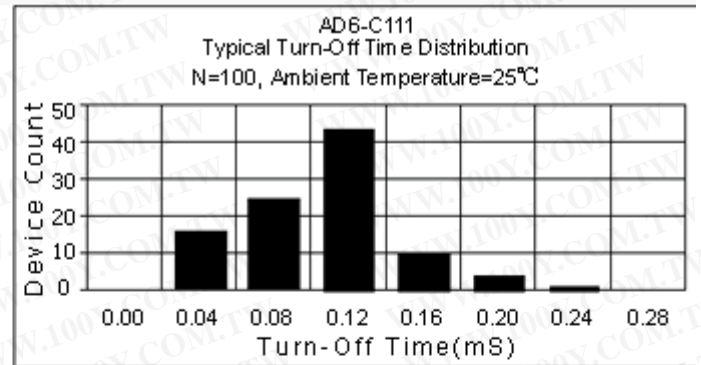
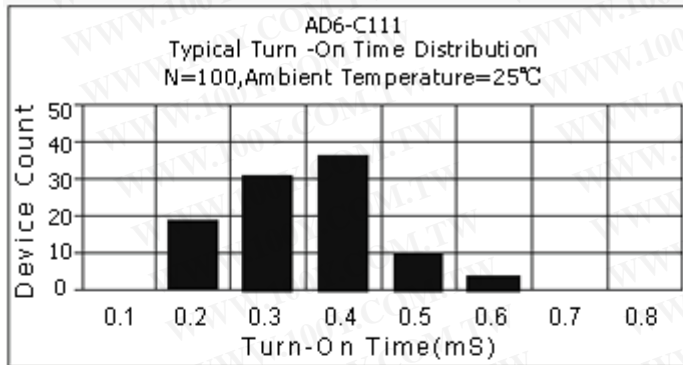
勝特力材料 886-3-5753170
 勝特力电子(上海) 86-21-54151736
 勝特力电子(深圳) 86-755-83298787
 Http://www.100y.com.tw

	Peak Forward Current 最大运送电流	I_{FP}	400	mA	$f=100\text{Hz}, \text{duty}=1\%$
	LED Reverse Voltage 发光二极管回流电压	V_R	6	V	---
	Power Dissipation 功率消耗	P_{in}	75	mW	---
Output 输出	Load Voltage 负载电压	V_L	400	V(AC peak or DC)	---
	Continuous Load Current 持续负载电流	I_L	120	mA	---
	Peak Load Current 最大负载电流	I_{peak}	0.6	A	100ms(1pulse)
	Power Dissipation 功率消耗	P_{out}	400	mW	---
Total Power Dissipation 总功率消耗		P_T	350	mW	---
I/O Isolation Voltage 输出 / 输入 绝缘电压		V_{iso}	1500	V _{rm}	RH=60%, 1min
Operating Temperature 工作温度		T_{opr}	-40 to +85	°C	---
Storage Temperature 储存温度		T_{stg}	-55 to +125	°C	---
Pin Soldering Temperature 焊脚温度		T_{sol}	260	°C	10 sec max.

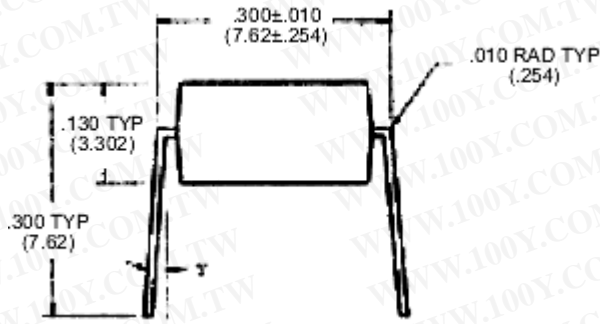
■ Electrical Specifications(Ambient Temperature:25°C) 电气规格表

Item		Symbol		AD6-C111	Units	Conditions
Input 输入	LED Dropout Voltage	V_F	TYP.	6.0	V	$I_F=10\text{mA}$
	LED Operate Current	$I_{F on}$	TYP.	2.5	mA	---
	LED Turn Off Current	$I_{F off}$	TYP.	0.5	mA	---
	LED Recovery Voltage	$V_{F off}$	MIN.	0.5	V	---
	On-Resistance	R_{on}	TYP.	25	Ω	$I_F=5\text{mA}, I_L=100\text{mA},$
	Off- StateLeakage Current	I_{Leak}	MAX.	10	μA	$V_L=Rating$
	Output Capacitance	C_{out}	TYP.	110	pF	$V_L=0, f=1\text{MHz}$
	Turn-On Time 接通时间	T_{on}	TYP.	4.5	ms	
	Turn-Off Time 关闭时间	T_{off}	TYP. MAX.	0.5 0.8	ms	

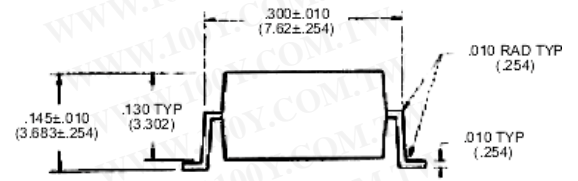
	Turn-Off Time 关闭时间	T_{off}	TYP. MAX.	0.5 0.8	ms	
Coupled	I/O Isolation Resistance 输入 / 输出 绝缘电阻	$R_{i/o}$	MIN.	10^{11}	Ω	DC500V
	I/O Capacitance 输入 / 输出	$C_{i/o}$	TYP. MAX.	- 2.4	pF	f=1MHz



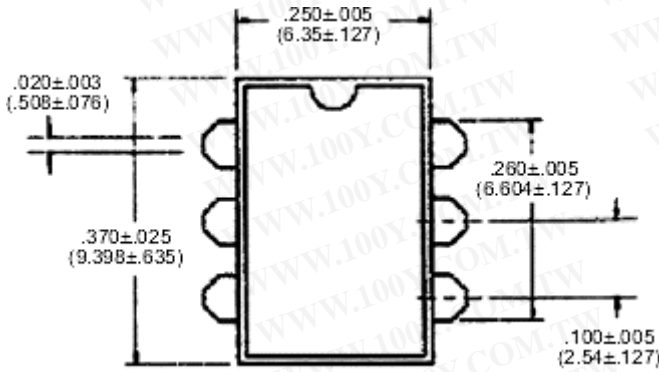
勝特力材料 886-3-5753170
 勝特力电子(上海) 86-21-54151736
 勝特力电子(深圳) 86-755-83298787
[Http://www.100y.com.tw](http://www.100y.com.tw)



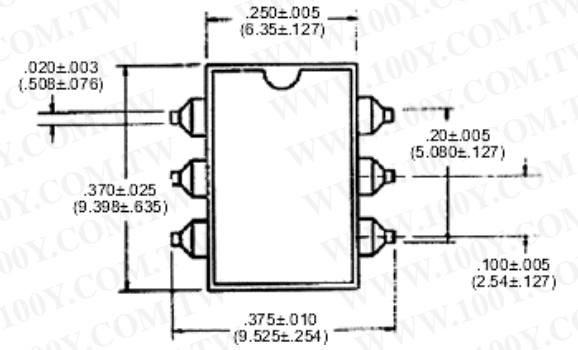
END VIEW



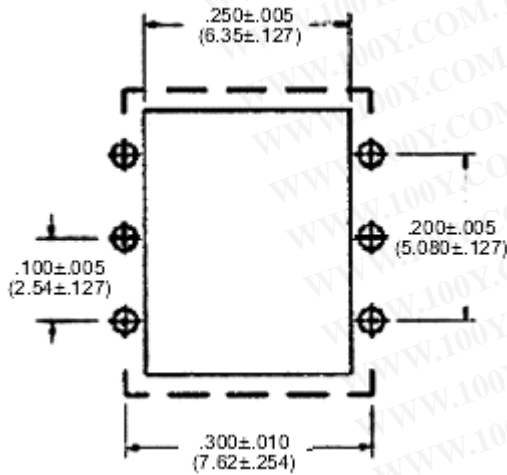
END VIEW



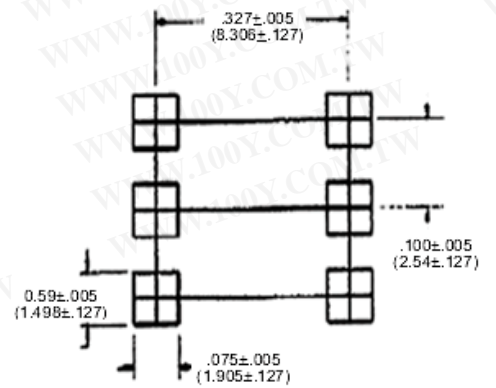
TOP VIEW



TOP VIEW



BOTTOM VIEW/BOARD PATTERN



BOTTOM VIEW/BOARD PATTERN