

勝特力材料 886-3-5753170
 勝特力电子(上海) 86-21-54151736
 勝特力电子(深圳) 86-755-83298787
[Http://www.100y.com.tw](http://www.100y.com.tw)

BRS SIP Reed Relay

FEATURES 特点

- 1 Form A Contact
触点形式为一组常开
- SIP Terminal
- Application for Fax Modem,
Telecommunication
Security Alarm System
应用于传真解调器, 通讯系统, 防盗报警系统等
- UL File No. E147052



COIL RATING(at 20°C) 线圈参数

Nominal Voltage (VDC) 额定电压	Coil Resistance ($\Omega \pm 10\%$) 线圈电阻	Nominal Current (mA) 耗电流	Pick-Up Voltage (VDC) 吸合电压	Drop-Out Voltage (VDC) 释放电压	Maximum Allowable Voltage (VDC) 最大过载电压	Power (mW) Consumption 线圈功率
5	500	10.0	3.75	0.6	15	50
12	1000	12.0	9.0	1.44	30	144
24	2000	12.0	18.0	2.88	40	288

ORDERING INFORMATION 订货编号

BRS-1A05-D

Coil Voltage 线圈电压	Option 选项
See Coil Rating 参见"线圈参数"表	Nil:Standard 标准型 D:With Diode 加二极管

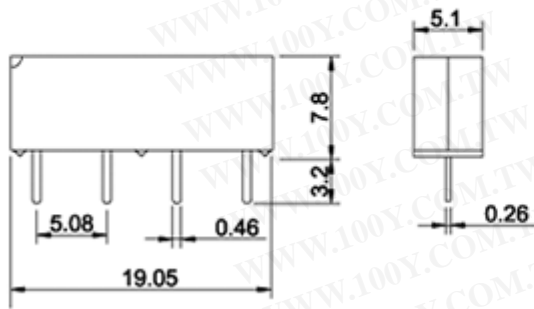
SPECIFICATIONS 规格表

Contact Arrangement 触点形式	1Form A
Contact Material 触点材质	Ru/Rh
Contact Resistance 触点电阻	Max.150m Ω (initial)
Contact Rating (at Resistive Load) 触点负载 (阻性负载)	Max.Switching Voltage 最大开关电压 100VDC Max.Switching Current 最大开关电流 0.5A Max.Switching Power 最大开关功率 10W(DC)/10VA(AC)

勝特力材料 886-3-5753170
 勝特力电子(上海) 86-21-54151736
 勝特力电子(深圳) 86-755-83298787
[Http://www.100y.com.tw](http://www.100y.com.tw)

Max.Carrying Current 最大过 载电流	1A	
Dielectric Strength 介质耐压 Between Coil & Contact 线圈与触点之间	1400VDC(1 minute)	
Between Contacts 触点组之间	250VDC(1 minute)	
Operate Time 动作时间	Max.1.0m Sec.	
Release Time 释放时间	Max.0.5m Sec.	
Ambient Temperature 环境温度	-40 °C ~+85 °C	
Insulation Resistance 绝缘电阻	Min.100M Ω at 500VDC	
Vibration Resistance 振动	1.5mm D.A.10-55HZ	
Shock 冲击	Functional 动作极限	20G
	Destruction 破坏极限	100G
Mechanical Life 机械寿命	1×10 ⁸ operations (at no load)	
Electrical Life 电气寿命	1×10 ⁶ operations (at rated load)	
Weight 重量	Approx.1.5g	

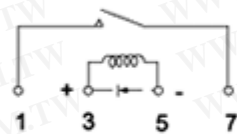
DIMENSIONS(mm)



General Tolerance ±0.3

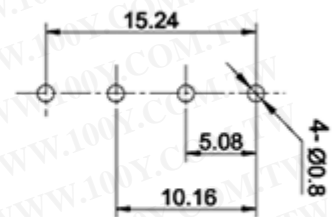
WIRING DIAGRAM

(Bottom View)



PC board pattern(mm)

(Bottom View)



General Tolerance ±0.1