

# Modular Fuseblocks

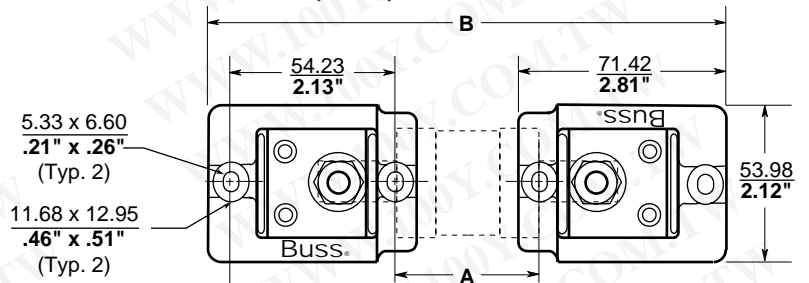
## 0-700 Volts, 100 Amps

勝特力材料 886-3-5753170  
 勝特力电子(上海) 86-21-54151736  
 勝特力电子(深圳) 86-755-83298787  
[Http://www.100y.com.tw](http://www.100y.com.tw)

# BH-0 Series

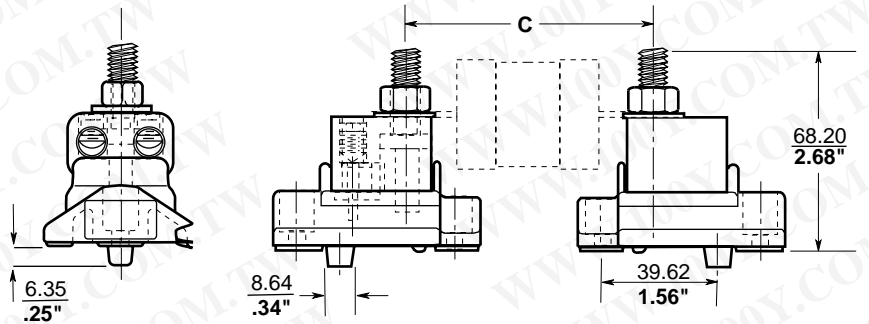


Dimensional Data - All tolerances  $\frac{(\pm 0.25) \text{ mm}}{(\pm 0.01) \text{ inches}}$



Catalog Symbol: BH-0 Series  
 Base: Light-weight, high temperature thermoplastic  
 Mounting Studs: Plated steel  
 Nut: Plated steel  
 Washer: Spring steel  
 Connector: Tin-plated aluminum. One hole connector accepts 14 - 2/0 AWG copper wire. Two hole connector accepts 14 - 1/0 AWG copper wire.

Agency Information:  
 UL Recognized, Guide IZLT2, File E14853 up to 700V  
 CSA Certified, Class 6225-01, File 47235 up to 700V  
 Withstand Rating: 200,000A RMS Sym. or interrupting rating of fuse used, whichever is smaller.



### Catalog Code Description:

#### Block Series

BH - 0 X X X

#### Agency Information

- 0 No Agency Information
- 1 UL Recognition and CSA Certification
- 2 UL Recognition Only
- 3 CSA Certification Only

#### Wire Connector

- 0 No Connector
- 1 1 Hole for 14 - 2/0 AWG Copper Wire (for use with Base 0)
- 2 2 Hole for 14 - 1/0 AWG Copper Wire (for use with Base 0)

#### Stud Size

- 1 1/4 - 20
- 2 5/16 - 18
- 3 3/8 - 16

- NOTES:**
- Always check applicable end use standards for required spacing between blocks, fuses or other hardware.
  - For applications above 700V, consult appropriate electrical standard for proper creepage distances, clearance distances and insulator voltage withstand ratings.

CE logo denotes compliance with European Union Low Voltage Directive (50-1000Vac, 75-1500Vdc). Refer to Data Sheet: 8002 or contact Bussmann Application Engineering at 314-527-1270 for more information.

# Modular Fuseblocks

## 0-700 Volts, 100 Amps

# BH-0 Series

勝特力材料 886-3-5753170  
 勝特力电子(上海) 86-21-54151736  
 勝特力电子(深圳) 86-755-83298787  
[Http://www.100y.com.tw](http://www.100y.com.tw)

### Electrical Characteristics

Buss Cat. No.	Fuseblock Part No.	Stud Ref.	Fuse Volt Rating	Dimensions mm / Inches		
				"A"	"B"	"C"
FBP 35-60	BH-0111	¼	700V	25.41 / 1.482	162.87 / 6.412	71.42 / 2.812
FBP 70-100	BH-0121	¼	700V	38.46 / 1.514	163.68 / 6.444	72.24 / 2.844
FWA 70-100	BH-0111	¼	150V	18.21 / 0.717	143.43 / 5.647	52.00 / 2.047
FWH 35A-60A	BH-0112	⅝	500V	27.74 / 1.092	152.96 / 6.022	61.52 / 2.422
FWH 70A-100A	BH-0122	⅝	500V	38.86 / 1.530	164.08 / 6.460	72.64 / 2.860
FWP 35A-60A	BH-0112	⅝	700V	57.91 / 2.280	183.13 / 7.210	91.69 / 3.610
FWP 70A-100A	BH-0122	⅝	700V	56.72 / 2.233	105.74 / 7.163	90.50 / 3.563
FWX 35A-60A	BH-0112	⅝	250V	27.74 / 1.092	152.96 / 6.022	61.52 / 2.422
FWX 70A-100A	BH-0112	⅝	250V	24.97 / 0.983	15.19 / 5.913	58.75 / 2.313
JJS 70-100	BH-0111	¼	600V	25.96 / 1.022	151.18 / 5.952	59.74 / 2.352
JKS 65-100	BH-0111	¼	600V	53.17 / 2.290	183.39 / 7.220	91.95 / 3.620
KAB 35-60	BH-0112	⅝	250V	28.12 / 1.107	153.34 / 6.037	61.90 / 2.437
KAB 70-100	BH-0112	⅝	250V	26.54 / 1.045	151.77 / 5.975	60.33 / 2.375
KAC 35-60	BH-0112	⅝	600V	58.29 / 2.295	183.52 / 7.225	92.08 / 3.625
KAC 70-100	BH-0113	⅜	600V	64.34 / 2.530	189.48 / 7.460	98.04 / 3.860
KAX 35-60	BH-0112	⅝	250V	28.12 / 1.107	153.34 / 6.037	61.90 / 2.437
KAX 70-100	BH-0112	⅝	250V	26.54 / 1.045	151.77 / 5.975	60.33 / 2.375
KBC 35-60	BH-0112	⅝	600V	58.29 / 2.295	183.52 / 7.225	92.08 / 3.625
KBC 70-100	BH-0121	¼	600V	59.08 / 2.326	184.30 / 7.256	92.86 / 3.656
KBH 35-60	BH-0112	⅝	500V	28.12 / 1.107	153.34 / 6.037	61.90 / 2.437
KBH 65-100	BH-0121	¼	500V	39.24 / 1.545	164.47 / 6.475	73.03 / 2.875
KBP 35-100	BH-0111	¼	700V	58.29 / 2.295	183.52 / 7.225	92.08 / 3.625
LPJ 65-100	BH-0111	¼	600V	58.17 / 2.290	183.39 / 7.220	91.95 / 3.620
170M0108 thru 170M0167	BH-0112	¼	660V	44.20 / 1.74	169.42 / 6.67	77.98 / 3.070
170M0208 thru 170M0267	BH-0111	¼	660V	31.24 / 1.23	156.46 / 6.16	65.02 / 2.560

The only controlled copy of this Data Sheet is the electronic read-only version located on the Busmann Network Drive. All other copies of this document are by definition uncontrolled. This bulletin is intended to clearly present comprehensive product data and provide technical information that will help the end user with design applications. Busmann reserves the right, without notice, to change design or construction of any products and to discontinue or limit distribution of any products. Busmann also reserves the right to change or update, without notice, any technical information contained in this bulletin. Once a product has been selected, it should be tested by the user in all possible applications.