

Description

- Dual element, time delay
- 1/4" x 1-1/4" (6.3mm x 32mm) physical size
- Glass tube, nickel-plated brass endcap construction
- Mounts in Buss HTB panel-mounted HB Series PC board fuseholders, Series 8000 fuseblocks and 1/4" clips
- UL Listed product meets standard 248-14

ELECTRICAL CHARACTERISTICS		
Rated Current	% of Amp Rating	Opening Time
1/16A - 30A	100%	None
	135%	60 minutes maximum
	200%	120 seconds maximum

Agency Information

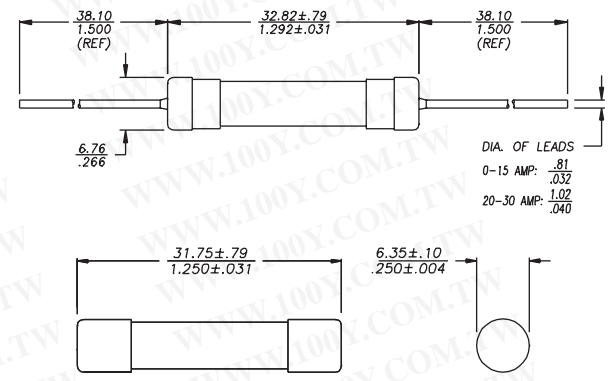
- UL Listed Card: MDQ-1/16 - 7A (Guide JDYX, File E19180)
- UL Recognition Card: MDQ-7.5 - 30A (Guide JDYX2, File E19180)
- CSA Component Acceptance Card: MDQ-1/100 - 30 (Class 1422-01)

Ordering

- Specify product code, option code and packaging code



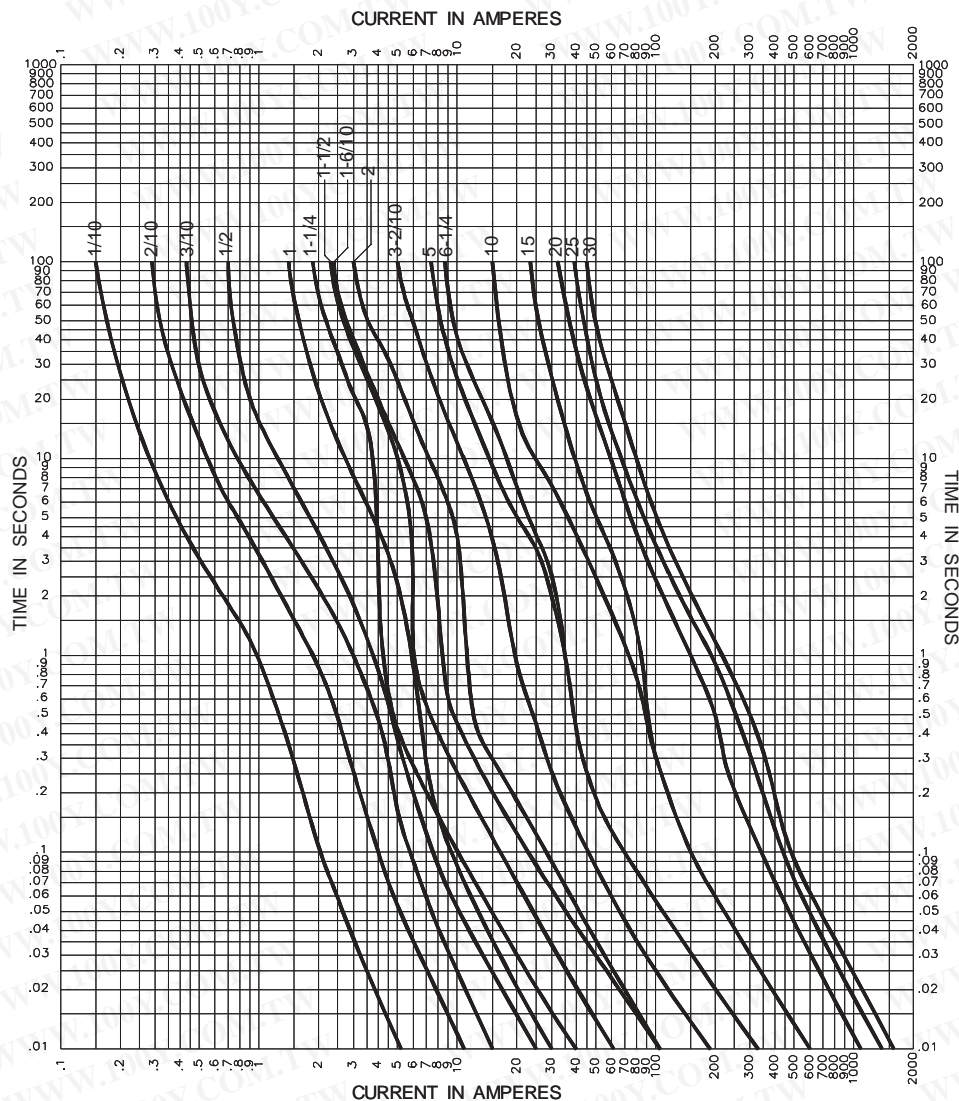
Dimensions mm/(inches)



SPECIFICATIONS			
Product Code	Voltage Rating AC	Interrupting Rating AC	Typical DC Cold Resistance (ohms)**
MDQ-1/16	250V	35A	83.30000
MDQ-1/10	250V	35A	35.00000
MDQ-1/8	250V	35A	21.50000
MDQ-3/16	250V	35A	10.00000
MDQ-2/10	250V	35A	8.65000
MDQ-1/4	250V	35A	5.77500
MDQ-3/10	250V	35A	4.20000
MDQ-3/8	250V	35A	2.35000
MDQ-1/2	250V	35A	1.40000
MDQ-3/4	250V	35A	0.39685
MDQ-1	250V	35A	0.37400
MDQ-1-1/4	250V	100A	0.36000
MDQ-1-1/2	250V	100A	0.27000
MDQ-2	250V	100A	0.13250
MDQ-2-1/4	250V	100A	0.11450
MDQ-2-1/2	250V	100A	0.10050
MDQ-3	250V	100A	0.05715
MDQ-4	250V	200A	0.03510
MDQ-5	250V	200A	0.02650
MDQ-6	250V	200A	0.01715
MDQ-6-1/4	250V	200A	0.01690
MDQ-7	250V	200A	0.01375
MDQ-8	32V	1,000A	0.01200
MDQ-9	32V	1,000A	0.00888
MDQ-10	32V	1,000A	0.00720
MDQ-15	32V	1,000A	0.00410
MDQ-20	32V	1,000A	0.00150
MDQ-25	32V	1,000A	0.00123
MDQ-30	32V	1,000A	0.00105

** DC Cold Resistance (Measured at <10% of rated current)

TIME CURRENT CURVE



OPTION CODE	
Option Code	Description
B	Board Washable - Hermetically sealed to withstand aqueous cleaning
V	Axial leads - copper tinned wire with nickel plated brass overcaps

PACKAGING CODE	
Packaging Code	Description
BK	100 pieces of fuses packed into a cardboard carton
BK1	1,000 pieces of fuses packed into a cardboard carton

North America

Cooper Electronic Technologies
 3601 Quantum Boulevard
 Boynton Beach, FL 33426-8638
 Tel: 1-561-752-5000
 Fax: 1-561-742-0134
 Toll Free: 1-888-414-2645

Cooper Bussmann
 P.O. Box 14460
 St. Louis, MO 63178-4460
 Tel: 1-636-394-2877
 Fax: 1-800-544-2570

Europe

Cooper Electronic Technologies
 Cooper (UK) Limited
 Burton-on-the-Wolds
 Leicestershire • LE12 5TH UK
 Tel: +44 (0) 1509 882 737
 Fax: +44 (0) 1509 882 786

Asia Pacific

Cooper Electronic Technologies
 1 Jalan Kilang Timor
 #06-01 Pacific Tech Centre
 Singapore 159303
 Tel: +65 278 6151
 Fax: +65 270 4160