

# CR1620

3V Lithium Battery  
Swiss Made

勝特力材料 886-3-5753170  
 勝特力电子(上海) 86-21-54151736  
 勝特力电子(深圳) 86-755-83298787  
[Http://www.100y.com.tw](http://www.100y.com.tw)

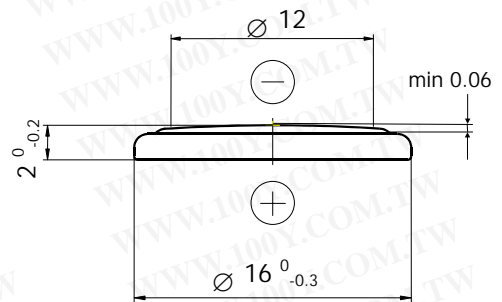
## Technical Data Sheet

### Specifications

Chemical System	Li / MnO <sub>2</sub>
Nominal Voltage	3 V
Rated Capacity	68 mAh
Standard Discharge Current	0,1 mA
Max. Cont. Discharge Current	1,0 mA
Average Weight	1,2 g
Temperature Range	-30 - +70 °C
Self Discharge at 23°C	< 1% / year

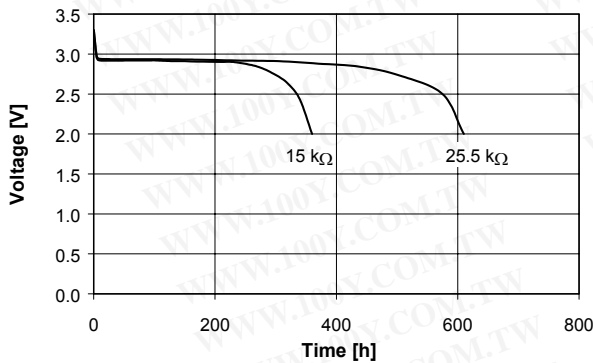
### Dimensions

(According to IEC 60086)

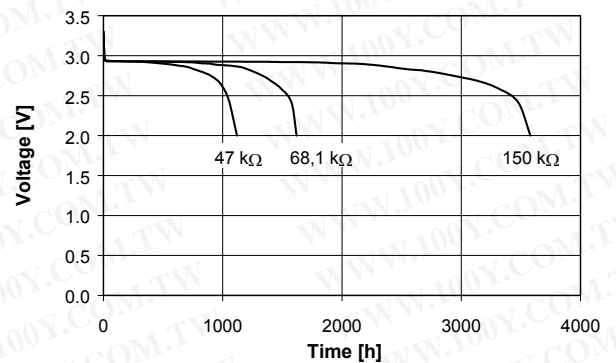


### Performance

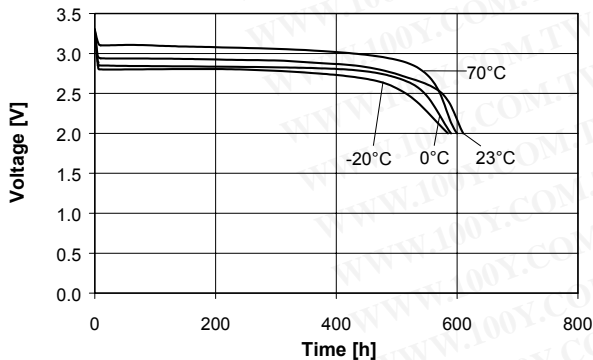
Discharge performance at 23°C



Discharge performance at 23°C



Temperature performance Load 25.5kΩ



Cell capacity at various loads

