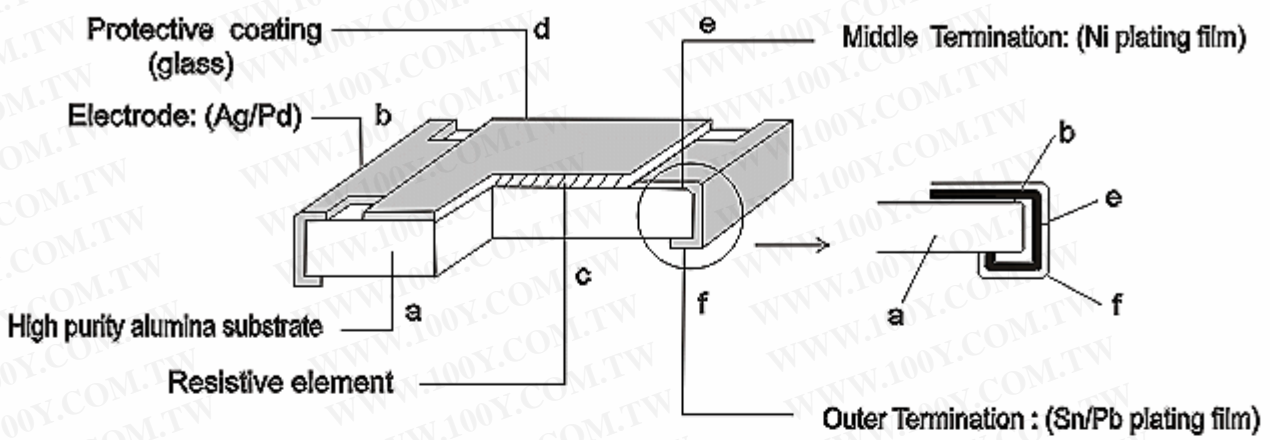




SMD THICK FILM CHIP RESISTORS

勝特力材料 886-3-5753170
 勝特力电子(上海) 86-21-54151736
 勝特力电子(深圳) 86-755-83298787
[Http://www.100y.com.tw](http://www.100y.com.tw)

CONSTRUCTION



APPLICATION:

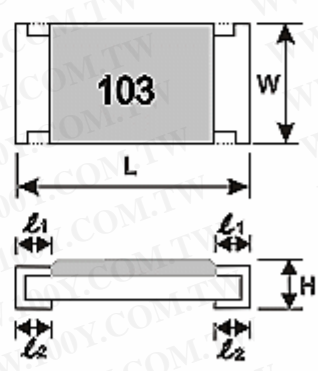
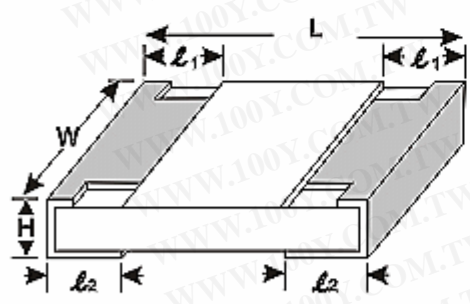
Telecommunication equipments, Radio and Tape recorders, TV tuners,
 Video cameras, Watches, Pocket calculators, Automotive Industry (Indicator),
 Computers, Instruments, Medical and Military equipments.

FEATURES:

- Small size and light weight
- Reduction of assembly costs and tching with placement machines.
- Reliability, High quality and Fast delivery.
- Suitable for both reflow soldering and wave soldering.

DIMENSION

0402/0603/0805/1206/1210/2010/2512



Unit:mm

TYPE	L	W	H	l ₁	l ₂
0402	1.00 ±0.10	0.50 ±0.05	0.30 ±0.05	0.20 ±0.10	0.20 ±0.10
0603	1.60 ±0.20	0.80 ±0.15	0.40 ±0.10	0.30 ±0.20	0.30 ±0.15
0805	2.00 ±0.20	1.25 ±0.15	0.50 ±0.15	0.35 ±0.15	0.35 ±0.15
1206	3.20 ±0.20	1.60 ±0.20	0.55 ±0.15	0.45 ±0.20	0.45 ±0.20
1210	3.20 ±0.20	2.50 ±0.20	0.55 ±0.15	0.50 ±0.20	0.50 ±0.20
2010	5.00 ±0.20	2.50 ±0.20	0.55 ±0.10	0.60 ±0.20	0.60 ±0.20
2512	6.30 ±0.20	3.20 ±0.20	0.55 ±0.10	0.60 ±0.20	0.60 ±0.20

SMD THICK FILM CHIP RESISTORS

RATINGS

TYPE	Rated Power at 70°C	Max Working Voltage	Max Overload Voltage	T.C.R (PPM/°C)	Resistance Range				Jumper Rated Current	Jumper Resistance Value	Operating Temperature Range
					B(±0.1%) D(±0.5%)	F(±1%)	G(±2%)	J(±5%) K(±10%)			
CR02 (0402)	0.0625W	50V	100V	+500~-200			1Ω~9.9Ω	1Ω~9.9Ω	1A	50mΩ Max	-55°C ~ +125°C
				+300~-300			10Ω~990Ω	10Ω~990Ω			
				+200~-200			1KΩ~1MΩ	1KΩ~1MΩ			
CR03 (0603)	0.1W	50V	100V	+400~-400			1Ω~9.9Ω	1Ω~9.9Ω	1A	50mΩ Max	
				+200~-200			10Ω~1MΩ	10Ω~10MΩ			
				+100~-100	10Ω~1MΩ	10Ω~1MΩ					
CR05 (0805)	0.125W	150V	300V	+400~-400			1Ω~9.9Ω	1Ω~9.9Ω	1A	50mΩ Max	
				+200~-200			10Ω~1MΩ	10Ω~10MΩ			
				+100~-100	10Ω~1MΩ	10Ω~1MΩ					
CR06 (1206)	0.25W	200V	400V	+400~-400			1Ω~9.9Ω	1Ω~9.9Ω	2A	50mΩ Max	
				+200~-200			10Ω~1MΩ	10Ω~10MΩ			
				+100~-100	10Ω~1MΩ	10Ω~1MΩ					
CR12 (1210)	0.333W	200V	400V	+400~-400			1Ω~9.9Ω	1Ω~9.9Ω	2A	50mΩ Max	
				+200~-200			10Ω~1MΩ	10Ω~10MΩ			
				+100~-100	10Ω~1MΩ	10Ω~1MΩ					
CR20 (2010)	0.5W	200V	400V	+400~-400			1Ω~9.9Ω	1Ω~9.9Ω	2A	50mΩ Max	
				+200~-200			10Ω~1MΩ	10Ω~10MΩ			
				+100~-100	10Ω~1MΩ	10Ω~1MΩ					
CR25 (2512)	1W	200V	400V	+400~-400			1Ω~9.9Ω	1Ω~9.9Ω	2A	50mΩ Max	
				+200~-200			10Ω~1MΩ	10Ω~10MΩ			
				+100~-100	10Ω~1MΩ	10Ω~1MΩ					

勝特力材料 886-3-5753170
 勝特力电子(上海) 86-21-54151736
 勝特力电子(深圳) 86-755-83298787
[Http://www.100y.com.tw](http://www.100y.com.tw)

EXAMPLE: CR06 103

TYPE

NOMINAL
RESISTANCE

RESISTOR
TOLERANCE

PACKAGE

Type	
1005(0402)	CR02
1608(0603)	CR03
2012(0805)	CR05
3216(1206)	CR06
3225(1210)	CR12
5025(2010)	CR20
6332(2512)	CR25
LR2512	LR25
0402 2 elements	CRA022R
0402 4 elements	CRA024R
0402 4 elements	CRA024C
0402 8 elements	CRN028R
0603 2 elements	CRA032R
0603 4 elements	CRA034R
0603 4 elements	CRA034C

Resistor Tolerance	
B	±0.1%
D	±0.5%
F	±1%
G	±2%
J	±5%
K	±10%
O	Jumper

Nominal Resistance	
E24 Series Eg. 10k=103 2.7 =2R7	3-Digits
E96 Series Eg. 10k=1002 10.2 =10R2	4-Digits
Zero Ohm(Jumper)	000

Package	
P	Paper Taping
B	Bulk
E	Plastic Taping

勝特力材料 886-3-5753170
勝特力电子(上海) 86-21-54151736
勝特力电子(深圳) 86-755-83298787
[Http://www.100y.com.tw](http://www.100y.com.tw)

<u>CRA034</u>	<u>R</u>	<u>103</u>	<u>J</u>	<u>P</u>
A	B	C	D	E

<u>CRA034</u>	<u>C</u>	<u>103</u>	<u>J</u>	<u>P</u>
A	B	C	D	E

EXAMPLE: CRN028R 103JP

<u>CRN028</u>	<u>R</u>	<u>103</u>	<u>J</u>	<u>P</u>
A	B	C	D	E

C.Resistance(E-24 E-96 Series)10K

D.Tolerance(F: $\pm 1\%$ J: $\pm 5\%$ K: $\pm 10\%$)

E.Packing (P:5000pcs Paper Tape Reel)

E.Packing (P:4000pcs Plastic Tape Reel)

A.Type (CRN028R Resistor Network 0402 10P8R)

B.Circuit diagram (R type)

C.Resistance(E-24 Series)

D.Tolerance(J: $\pm 5\%$ K: $\pm 10\%$)

E.Packing (P:5000pcs Paper Tape Reel)

E.Packing (P:4000pcs Plastic Tape Reel)

勝特力材料 886-3-5753170
勝特力电子(上海) 86-21-54151736
勝特力电子(深圳) 86-755-83298787
[Http://www.100y.com.tw](http://www.100y.com.tw)