

Electrical and Mechanical Specifications

Resistance Range

1 ohm through 25K ohms

Resistance Tolerance

Standard: $\pm 10\%$
Special: $\pm 5\%$

Power Rating, Watts

5 watts @ 25°C, 4 watts @ 55°C, derated to no load at 105°C, linear taper, bushing mounted control on steel panel 4" x 4" x .050" (101.6mm x 101.6mm x 1.27mm). (Derating required on two section controls.)

Voltage Rating

Bushing to Terminals:
High pot test, one minute — 1,000 VAC
Operating maximum — 500 VDC
Across End Terminals:
350 VDC maximum, load not to exceed wattage rating.

Resistance Tapers

Standard: Linear
Special: Non-linear available

Taps

One tap at 50% of resistance and rotation available on resistance values under 5K ohms.

Power Switches

Available in most constructions.

Angle of Rotation

Total Rotation:
Without switch — $300^\circ \pm 5^\circ$
With switch — $300^\circ \pm 5^\circ$
Effective Rotation:
Without switch — 280° approximate
With switch — 265° approximate

勝特力材料 886-3-5753170
勝特力电子(上海) 86-21-54151736
勝特力电子(深圳) 86-755-83298787
[Http://www.100y.com.tw](http://www.100y.com.tw)

(continued on next page)

Technical Data Sheet 1026

CTS CORPORATION / MANUFACTURER OF RELIABLE ELECTRONIC COMPONENTS

Shaft Information

Diameter: .250" (6.35mm)
Length: As required.
Trim: Available shaft trim: round, flatted, knurled or with a screwdriver slot

Radius

Standard: .438" (11.1mm)
Special: .531" (13.5mm) available

Bushing Information

*Diameter: $\frac{3}{8}$ "-32 UNEF-2A thread.
Lengths:
Standard bushing: $\frac{3}{8}$ " (9.53mm) or $\frac{1}{4}$ " (6.35mm)
Special length: Available

*Metric bushings available. Consult CTS.

Mounting Hardware

Available upon request.

Special Features and Constructions

Terminals accepting solderless push-on connectors available.

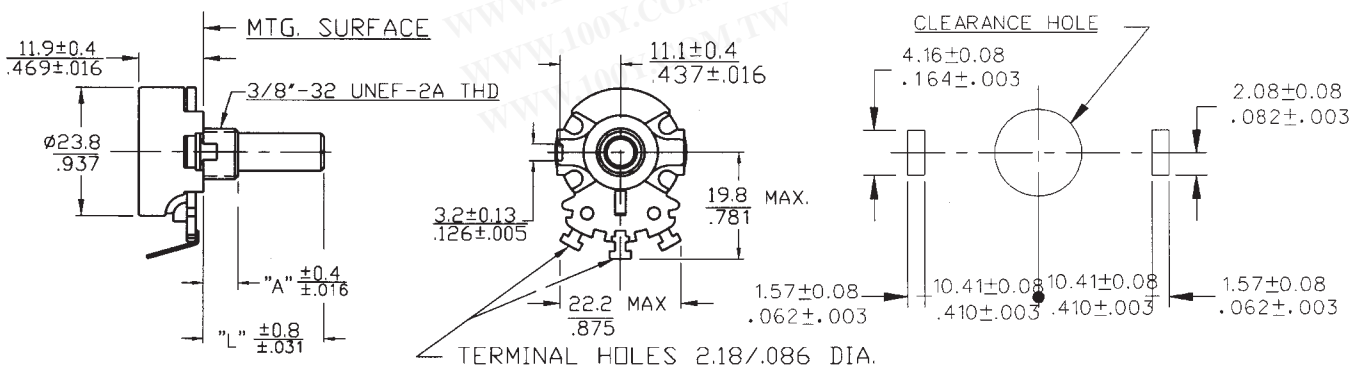
Straight or concentric tandem constructions.

Locating Lugs

Standard Position: Left side (with terminals down) supplied, unless otherwise specified.
Other Positions: Available with right side only, both left and right, or without lugs.

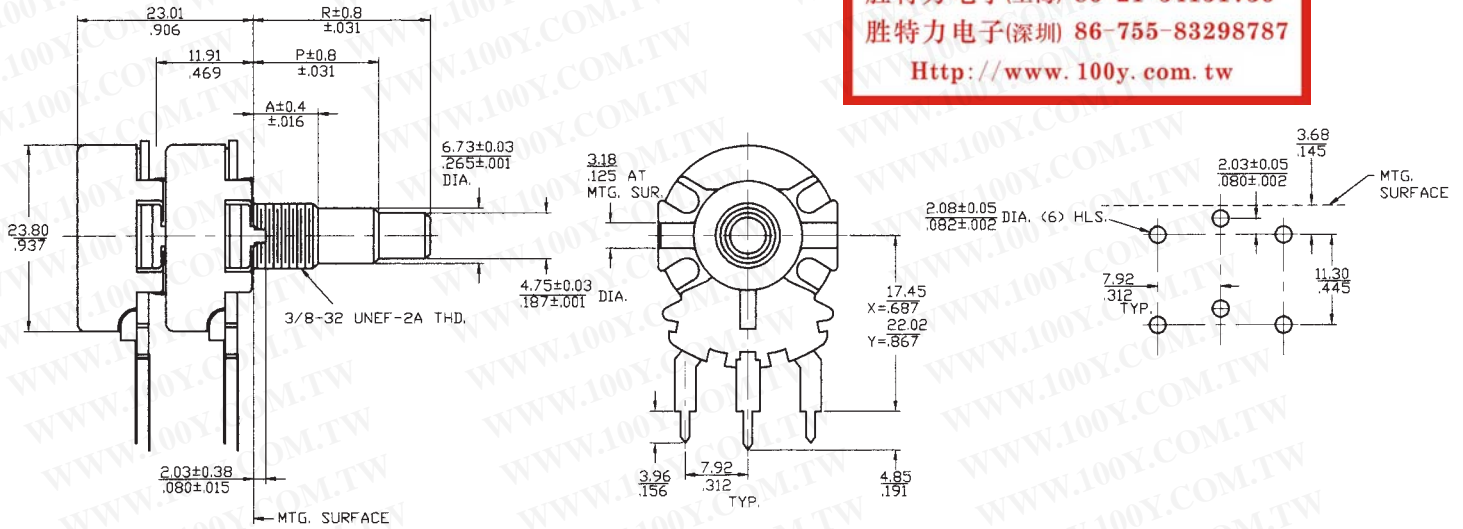
Compatible with 450 series, $\frac{15}{16}$ " (24mm) diameter, commercial composition variable resistor and can be combined to make any combination of straight or concentric tandem constructions with or without switch.

T026 Metal Shaft, Bushing Mounting, Type "T" Solder Lug Terminals

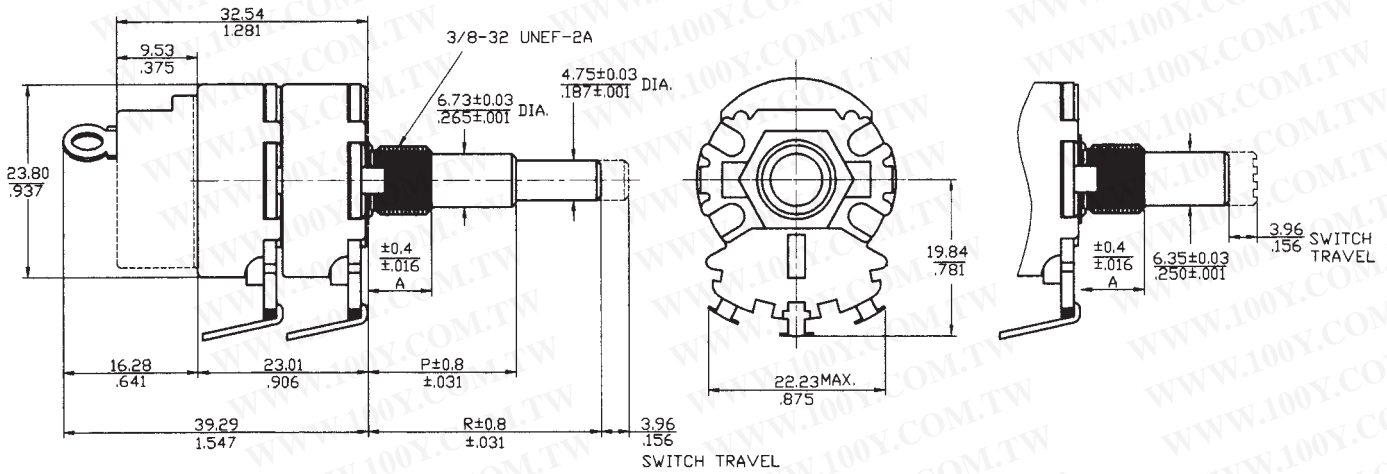


C2-026 Printed Circuit Terminal Options

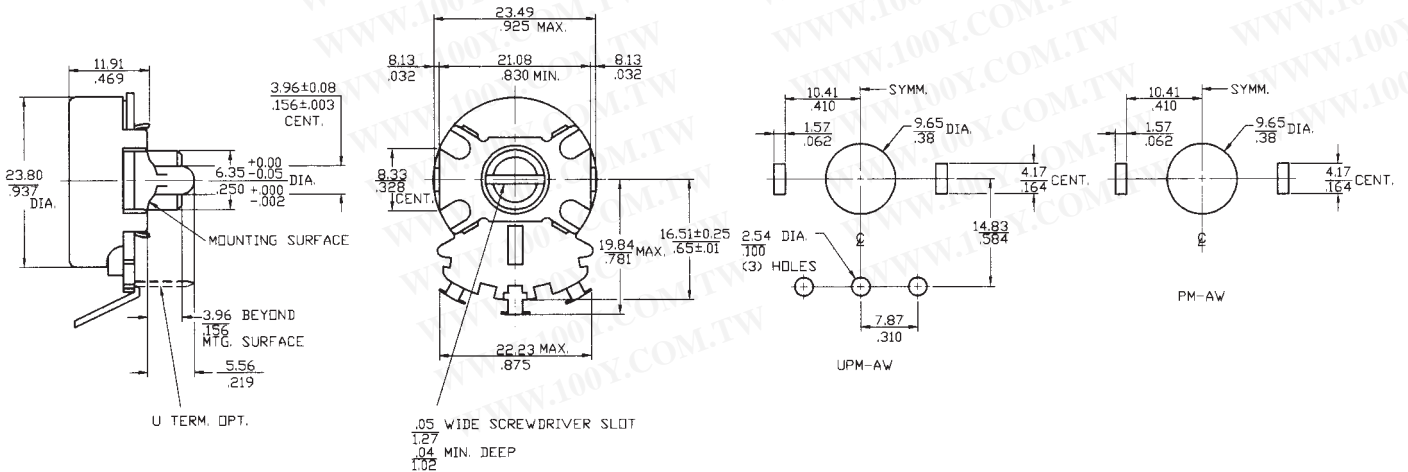
勝特力材料 886-3-5753170
勝特力电子(上海) 86-21-54151736
勝特力电子(深圳) 86-755-83298787
[Http://www.100y.com.tw](http://www.100y.com.tw)



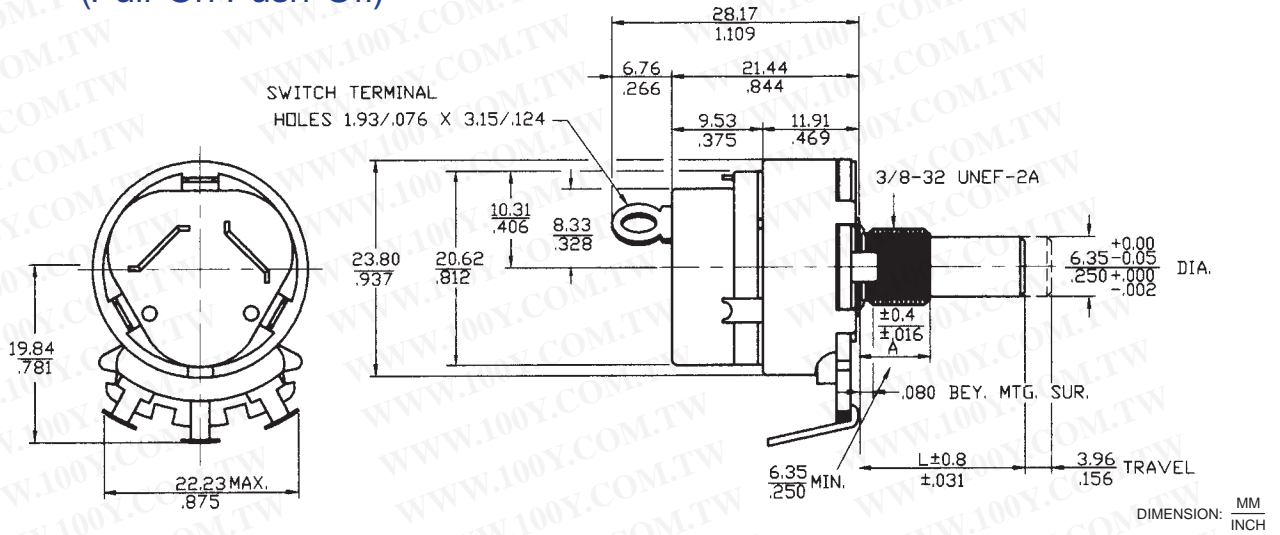
C2-026 Concentric Tandem (Available in Two or More Sections) with Switch



PM-026 Twist Tab Mounting, Molded Shaft (Available in Metal Shafts)



K-026 Bushing Mounted, Single Section with Attached K Switch (Pull-On Push-Off)



Ordering Information

026 T 2 20 R 103 B 1 A 1

TERMINAL STYLE	MOUNTING STYLE	SHAFT TRIM	RESIST TOL	SPECIALS
T - SOLDER LUG X - PC U - FORMED TO FRONT V - FORMED TO REAR	BUSHING LENGTH: 1/8" INCREMENTS EXAMPLES: 2 - .250" (6.35MM) 3 - .375" (9.53MM) 8 - 1.000" (25.4MM) 1 - TWIST TAB MOUNT A - .250" (6.35MM) DIECAST B - .375" (9.53MM) DIECAST <small>BUSHING MOUNT SUPPLIED WITH LOCATING LUG LEFT SIDE TERMINALS DOWN</small>	R - ROUND F - FLATTED .375" X .156" (9.53MM X 4.0MM) K - KNURLED S - SD SLOT .047" WIDE X .063" DEEP (1.2MM X 1.6MM)	A - ±10% B - ±20% C - ±30%	1 - NONE 2 - LOCATING LUG RIGHT SIDE 3 - NO LOCATING LUG

SHAFT LENGTH	RESISTANCE CODE EXAMPLES	TAPER
FROM MOUNTING SURFACE 1/32" INCREMENTS EXAMPLES: 20 - .625" (6.35MM) 24 - .750" (19.5MM) 28 - .875" (22.2MM) 32 - 1.000" (25.4MM)	CODE RESISTANCE 501 500 OHMS 102 1K 252 2.5K 502 5K 103 10K 253 7.5K	1 - LINEAR 2 - 15% AUD 3 - 15% CCW AUD

SWITCHES	FUNCTION	CTS TYPE
A - NONE		
B - SPST	ROTARY	TGC
C - DPST	ROTARY	027
D - SPDT	ROTARY	028
E - SPST	PULL-PUSH	FRK
F - SPST	ROTARY	FR-GC

REFER TO SERIES 450 FOR POWER SWITCH DETAILS

勝特力材料 86-3-5753170
 勝特力电子(上海) 86-21-54151736
 勝特力电子(深圳) 86-755-83298787
[Http://www.100y.com.tw](http://www.100y.com.tw)