



Illumination

Model 10XI CFVI

Circular Fluorescent Vision Illuminator

High Frequency (25 kHz)

FEATURES:

- Rugged, aluminum housing with easy mounting
- High frequency, 25 kHz driver for flicker-free illumination
- 360° of uniform, shadow-free output
- 7,000 hours of lamp life
- Wide range of lamp options available
- Custom configurations available



StockerYale's Model 10XI CFVI (Circular Fluorescent Vision Illuminator) is an industrial grade fluorescent lighting system that has been designed and engineered for a wide variety of applications including imaging, process control and inspection for machine vision and other industrial illumination requirements.

Constructed of a rugged, black anodized, aluminum extrusion and powered by a high frequency (25 kHz) driver, the Model 10XI provides 360° of bright, flicker-free illumination. Each illuminator is supplied with an adapter to fit virtually any microscope or camera type. Industry standard, 1/4 - 20 threaded mounting holes are also provided for customer specific installation.

Standard lamps for the Model 10XI are available in various white color temperatures, as well as wavelength specific colors. A variety of optional accessories are also available to configure the Model 10XI to fit most applications. Among the standard accessories is a polarizer kit that allows for control of transmitted light in applications requiring the illumination of reflective materials.

勝特力材料 886-3-5753170
勝特力电子(上海) 86-21-54151736
勝特力电子(深圳) 86-755-83298787
[Http://www.100y.com.tw](http://www.100y.com.tw)

勝特力材料 886-3-5753170
 勝特力电子(上海) 86-21-54151736
 勝特力电子(深圳) 86-755-83298787
 Http://www.100y.com.tw

Technical Specifications

Input power:	14 Watts
Input voltage (AC):	120 VAC; 60 Hz or 220 VAC; 50 Hz
Operating frequency:	25 kHz
Lamp output power:	13 Watts
Color temperature:	5100K (deluxe daylight)**
Lamp life:	Greater than 7,000 hours
Operating temperature:	32 to 104°F (0 to 40°C)
Humidity range:	0 to 80%; non-condensing
Agency approvals :	CE marked (all 220V units)

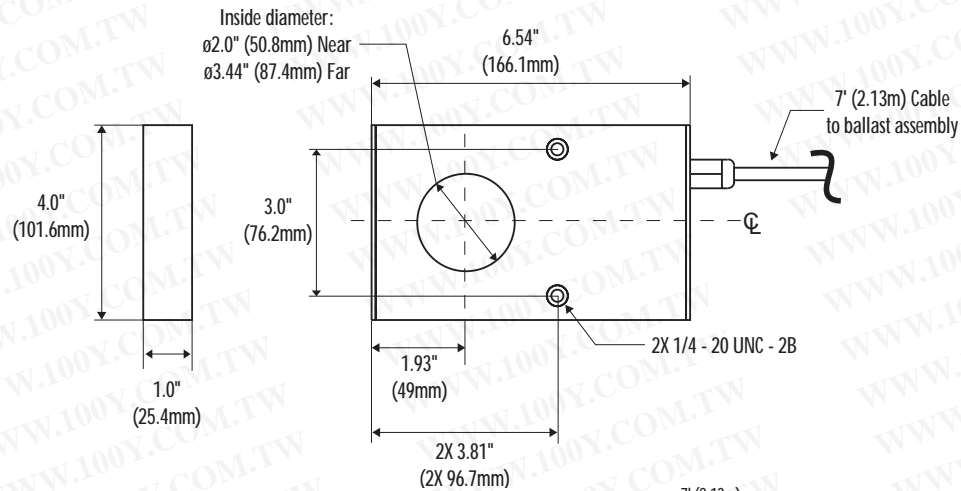
Lamp Type: Ø3" Circular Fluorescent (13 Watt)

973-320	White 3200K HC* (warm white)
973-420	White 4200K HC* (cool white)
973-510	White 5100K (deluxe daylight)**
973-550	White 5500K HC* (daylight)
973-365	Black Light Blue, UV (peak wavelength, 365nm)
973-450	Blue (peak wavelength, 450nm)
973-544	Green (peak wavelength, 544nm)
973-585	Yellow (peak wavelength, 585nm)
973-658	Red (peak wavelength, 658nm)

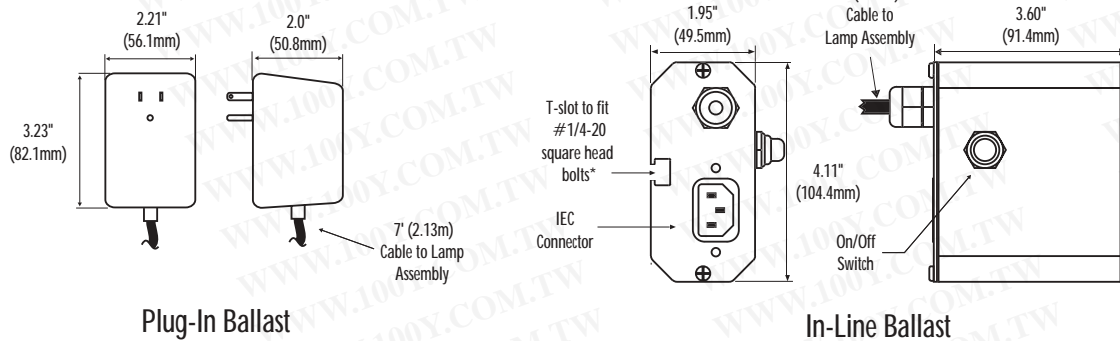
* HC indicates High Color Rendition
 ** Standard lamp provided

Dimensions

Lamp Assembly



Ballast Assembly



* In-line ballast is supplied with an 8ft (2.44m) IEC line cord.