

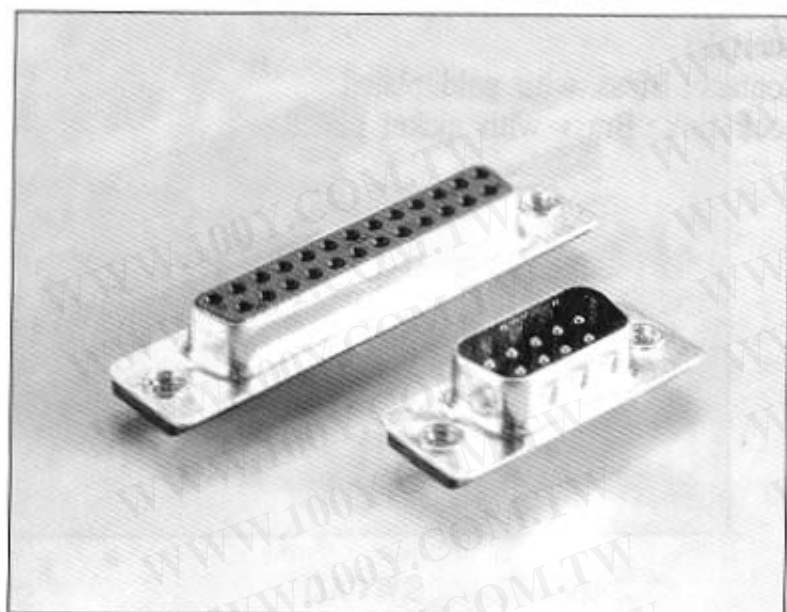
SLIM D-SUB STRAIGHT TYPE

勝特力材料 886-3-5753170

勝特力电子(上海) 86-21-54151736

勝特力电子(深圳) 86-755-83298787

Http://www.100y.com.tw



MATERIAL

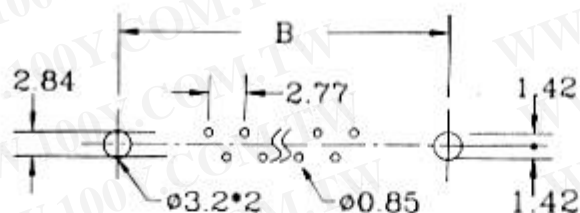
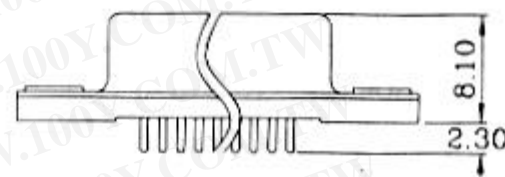
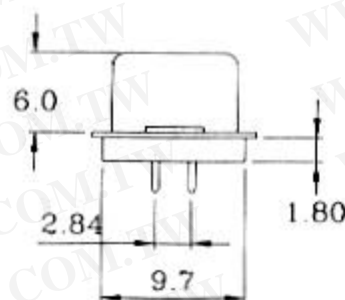
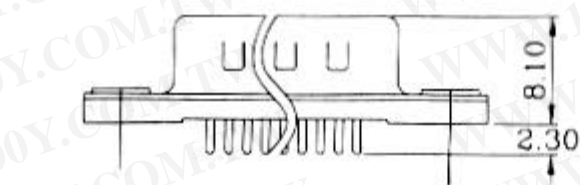
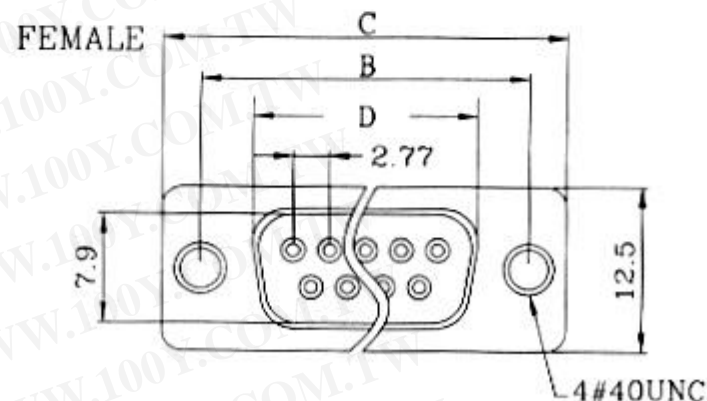
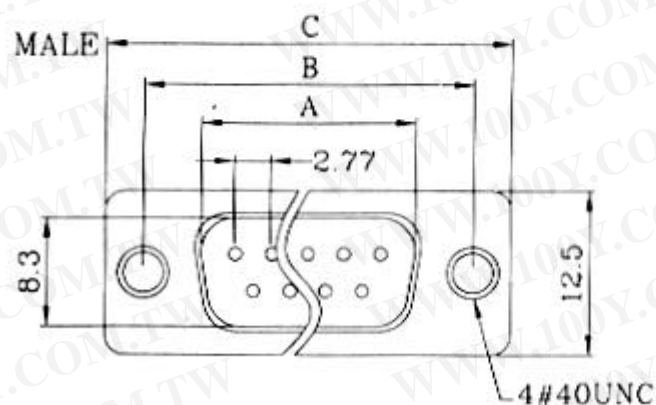
- *Insulator : PBT & Glass Fill Reinforced UL94V-0.
- *Contact : Brass (Male) ; Phosphor Bronze (Female)
- *Shell : Steel

ELECTRICAL

- *Operation Voltage : 250 VAC max.
- *Current Rating : 2.5 Amps.
- *Contact Resistance : 20m Ω max.
- *Insulator Resistance : 3000M Ω min. at DC 500V.
- *Dielectric Withstanding Voltage : AC 1000V For 1 minute.
- *Operation Temperature : - 55°C to + 105°C.

CONTACT PLATING

- *Contact Area : Gold Flash
- *Solder Tails Area : 100 μ Tin On Solder Tail, Base Nickel 40 μ



Recommended PCB Layout

Dimension		UNIT : mm			
Position	A	B	C	D	
09	16.92	25.00	30.80	16.30	
15	25.50	33.30	39.20	24.60	
25	38.96	47.10	53.10	38.30	
37	55.42	63.50	69.40	54.80	