

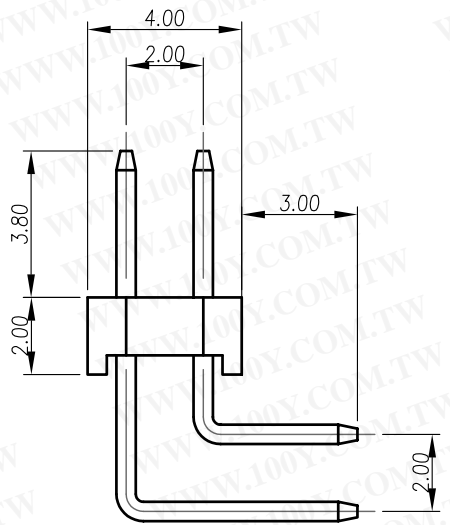
勝特力材料 886-3-5753170
 勝特力电子(上海) 86-21-54151736
 勝特力电子(深圳) 86-755-83298787
[Http://www.100y.com.tw](http://www.100y.com.tw)

REV	MODIFICATION	DATE	DRAW

NOTES:
 SPECIFICATION
 1.Current Rating: 1A
 2.Withstanding Voltage: 600 VAC (1 Minute)
 3.Insulation Resistance: 1000 Megohms Min.
 4.Contact Resistance: 30 Milliohms Max.
 5.Operating Temperature: -55°C to +105°C

MATERIAL
 1.Contact: Phosphor Bronze
 2.Insulator: NYLON-6T(UL 94V-0)
 3.Plated:
 UNDERPLATING : NICKEL PLATING FOR ALL 80u"~120u".
 ALL PLATING : TIN-LEAD 90/10 PLATING 100u"~200u".

ORDER INFORMATION
 MPHRI-2 XX 30B000
 NO. OF CONTACT



DIMENSION IN mm [Inch]	PROD. SPEC.	C KINGFONT PRECISION INDUSTRIAL CO., LTD.	
TOLERANCE UNLESS OTHERWISE SPECIFIED	PKG. SPEC.	TITLE	CUSTOMER DRAWING
.X±0.30 X.*± 1*	APPROVE	HEADER MALE 2.00mm D/R R/A	
.XX±0.20 .X.*± 0.5*	CHECK	FILE NO.	DWG NO. MPHRI-2XX30B000
.XXX±0.10 .XX.*± 0.25*	DRAW	SIZE A4	PROJ. SHEET 1 / 1
		SCALE 5:1	REV A