



DCP01B Series

For most current data sheet and other product information, visit www.burr-brown.com

Miniature, 1W Isolated UNREGULATED DC/DC CONVERTERS

FEATURES

- UP TO 85% EFFICIENCY
- THERMAL PROTECTION
- DEVICE-TO-DEVICE SYNCHRONIZATION
- SHORT CIRCUIT PROTECTION
- EN55022 CLASS B EMC PERFORMANCE
- UL1950 RECOGNIZED COMPONENT
- JEDEC PDIP-14 AND GULL-WING PACKAGES

APPLICATIONS

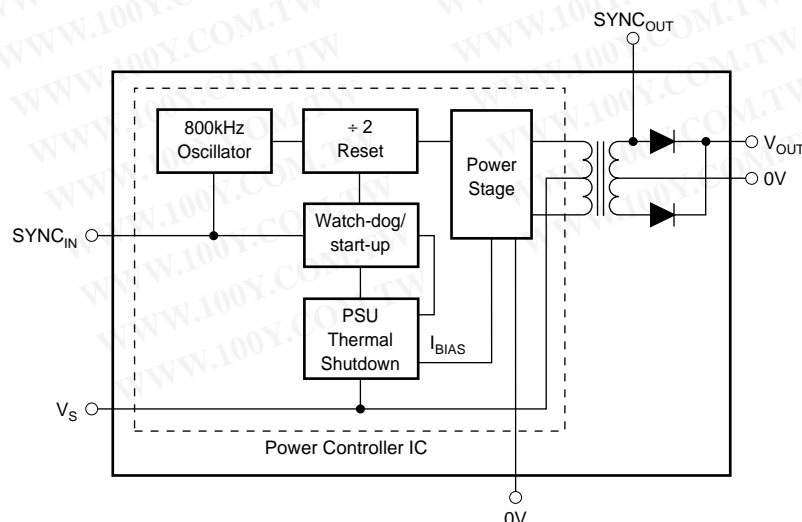
- POINT-OF-USE POWER CONVERSION
- GROUND LOOP ELIMINATION
- DATA ACQUISITION
- INDUSTRIAL CONTROL AND INSTRUMENTATION
- TEST EQUIPMENT

DESCRIPTION

The DCP01B series is a family of 1W, unregulated, isolated DC/DC converters. Requiring a minimum of external components and including on-chip device protection, the DCP01B series provides extra features such as output disable and synchronization of switching frequencies.

The use of a highly integrated package design results in highly reliable products with a power density of 40W/in³ (2.4W/cm³). This combination of features and small size makes the DCP01B suitable for a wide range of applications.

勝特力材料 886-3-5753170
胜特力电子(上海) 86-21-54151736
胜特力电子(深圳) 86-755-83298787
[Http://www.100y.com.tw](http://www.100y.com.tw)



SPECIFICATIONS

At $T_A = +25^\circ\text{C}$, unless otherwise specified.

PARAMETER	CONDITIONS	DCP01B SERIES			UNITS
		MIN	TYP	MAX	
OUTPUT Power Ripple Voltage vs Temp	100% Full Load O/P Capacitor = $1\mu\text{F}$, 50% Load Room to Cold Room to Hot		0.97 20 0.046 0.016		W mVp-p %/°C %/°C
INPUT Voltage Range on V_S		-10		10	%
ISOLATION Voltage	1s Flash Test 60s Test, UL1950 ⁽¹⁾	1 1			kVrms kVrms
LINE Regulation			1		%/1% of V_S
SWITCHING/SYNCHRONIZATION Oscillator Frequency (f_{osc}) Sync Input Low Sync Input Current Disable Time Capacitance Loading on SYNC_{IN} Pin	Switching Frequency = $f_{osc}/2$ $V_{SYNC} = +2\text{V}$ External	0	800 75 2	0.4 3	kHz V μA μs pF
RELIABILITY Demonstrated	$T_A = +55^\circ\text{C}$			75	FITS
THERMAL SHUTDOWN IC Temperature at Shutdown Shutdown Current			150 3		°C mA
TEMPERATURE RANGE Operating		-40		+100	°C

PRODUCT	INPUT VOLTAGE (V)			OUTPUT VOLTAGE (V)			LOAD REGULATION (%)		NO LOAD CURRENT (mA)	EFFICIENCY (%)	BARRIER CAPACITANCE (pF)
	V_S			V_{NOM}			10% TO 100% LOAD ⁽³⁾		I_Q		C_{ISO}
	MIN	TYP	MAX	MIN	TYP	MAX	TYP	MAX	0% LOAD	100% LOAD	$V_{ISO} = 750V_{RMS}$
DCP010505B	4.5	5	5.5	4.75	5	5.25	19	31	20	80	3.6
DCP010505DB	4.5	5	5.5	± 4.25	± 5	± 5.75	18	32	22	81	3.8
DCP010512B	4.5	5	5.5	11.4	12	12.6	21	38	29	85	5.1
DCP010512DB	4.5	5	5.5	± 11.4	± 12	± 12.6	19	37	40	82	4.0
DCP010515B	4.5	5	5.5	14.25	15	15.75	26	42	34	82	3.8
DCP010515DB	4.5	5	5.5	± 14.25	± 15	± 15.75	19	41	42	85	4.7
DCP012405B	21.6	24	26.4	4.75	5	5.25	13	23	14	77	3.8

NOTES: (1) During UL1950 recognition tests only. (2) 100% Load Current = $1\text{W}/V_{NOM}$ TYP. (3) Load regulation = $(V_{OUT}$ at 10% Load - V_{OUT} at 100% Load)/ V_{OUT} at 75% Load.

ABSOLUTE MAXIMUM RATINGS

Input Voltage:	
5V Input Models	7V
24V Input Models	29V
Storage Temperature	-60°C to +125°C
Lead Temperature (soldering, 10s)	270°C



ELECTROSTATIC DISCHARGE SENSITIVITY

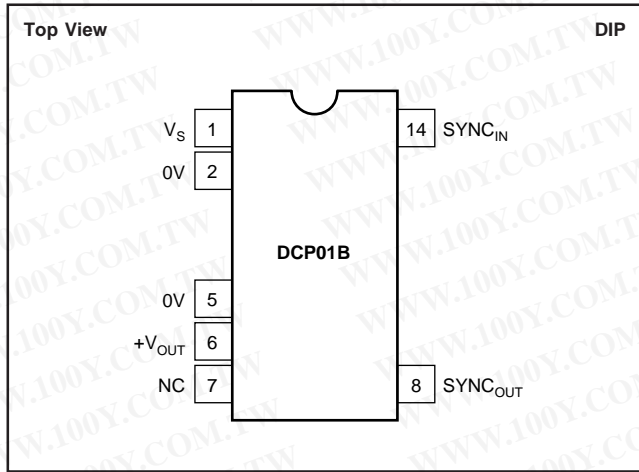
This integrated circuit can be damaged by ESD. Burr-Brown recommends that all integrated circuits be handled with appropriate precautions. Failure to observe proper handling and installation procedures can cause damage.

ESD damage can range from subtle performance degradation to complete device failure. Precision integrated circuits may be more susceptible to damage because very small parametric changes could cause the device not to meet its published specifications.

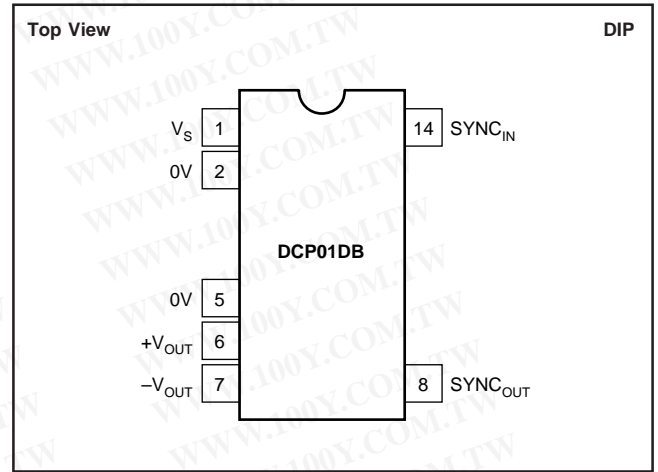
ORDERING INFORMATION

Basic Model Number: 1W Product	DCP01	05	05	(D)	(B)	()
Voltage Input:						
5V In						
Voltage Output:						
5V Out						
Dual Output:						
Model Revision:						
Package Code:						
P = PDIP-14						
P-U = PDIP-14 Gull-Wing						

PIN CONFIGURATION (Single-DIP and Gull-Wing)



PIN CONFIGURATION (Dual-DIP and Gull-Wing)



PIN DEFINITION (Single-DIP)

PIN #	PIN NAME	DESCRIPTION
1	V_S	Voltage Input
2	0V	Input Side Common
5	0V	Output Side Common
6	$+V_{OUT}$	+Voltage Out
7	NC	Not Connected
8	SYNC _{OUT}	Unrectified Transformer Output
14	SYNC _{IN}	Synchronization Pin

PIN DEFINITION (Dual-DIP)

PIN #	PIN NAME	DESCRIPTION
1	V_S	Voltage Input
2	0V	Input Side Common
5	0V	Output Side Common
6	$+V_{OUT}$	+Voltage Out
7	$-V_{OUT}$	-Voltage Out
8	SYNC _{OUT}	Unrectified Transformer Output
14	SYNC _{IN}	Synchronization Pin

PACKAGE/ORDERING INFORMATION

PRODUCT	PACKAGE	PACKAGE DRAWING NUMBER	SPECIFIED TEMPERATURE RANGE	PACKAGE MARKING	ORDERING NUMBER ⁽¹⁾	TRANSPORT MEDIA
Single						
DCP010505BP	DIP-14	010-1	-40°C to +100°C	DCP010505BP	DCP010505BP	Rails
DCP010505BP-U	DIP-14 Gull-Wing	010-2	-40°C to +100°C	DCP010505BP-U	DCP010505BP-U/700	Tape and Reel
DCP010512BP	DIP-14	010-1	-40°C to +100°C	DCP010512BP	DCP010512BP	Rails
DCP010512BP-U	DIP-14 Gull-Wing	010-2	-40°C to +100°C	DCP010512BP-U	DCP010512BP-U/700	Tape and Reel
DCP010515BP	DIP-14	010-1	-40°C to +100°C	DCP010515BP	DCP010515BP	Rails
DCP010515BP-U	DIP-14 Gull-Wing	010-2	-40°C to +100°C	DCP010515BP-U	DCP010515BP-U/700	Tape and Reel
DCP012405BP	DIP-14	010-1	-40°C to +100°C	DCP012405BP	DCP012405BP	Rails
DCP012405BP-U	DIP-14 Gull-Wing	010-2	-40°C to +100°C	DCP012405BP-U	DCP012405BP-U/700	Tape and Reel
Dual						
DCP010505DBP	DIP-14	010-1	-40°C to +100°C	DCP010505DBP	DCP010505DBP	Rails
DCP010505DBP-U	DIP-14 Gull-Wing	010-2	-40°C to +100°C	DCP010505DBP-U	DCP010505DBP-U/700	Tape and Reel
DCP010512DBP	DIP-14	010-1	-40°C to +100°C	DCP010512DBP	DCP010512DBP	Rails
DCP010512DBP-U	DIP-14 Gull-Wing	010-2	-40°C to +100°C	DCP010512DBP-U	DCP010512DBP-U/700	Tape and Reel
DCP010515DBP	DIP-14	010-1	-40°C to +100°C	DCP010515DBP	DCP010515DBP	Rails
DCP010515DBP-U	DIP-14 Gull-Wing	010-2	-40°C to +100°C	DCP010515DBP-U	DCP010515DBP-U/700	Tape and Reel

NOTE: (1) Models with a slash (/) are available only in Tape and Reel in the quantities indicated (e.g., /700 indicates 700 devices per reel). Ordering 700 pieces of "DCP010505BP-U/700" will get a single 700-piece Tape and Reel.

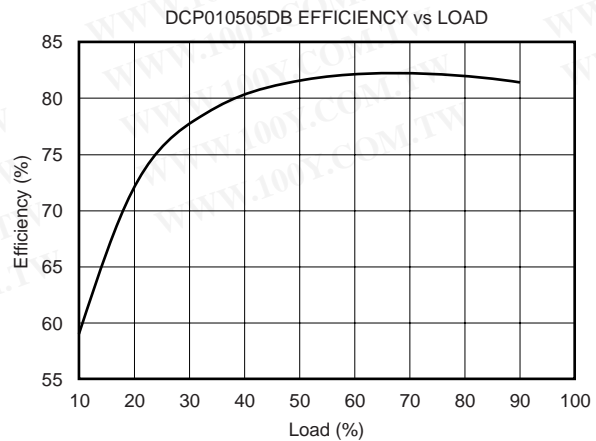
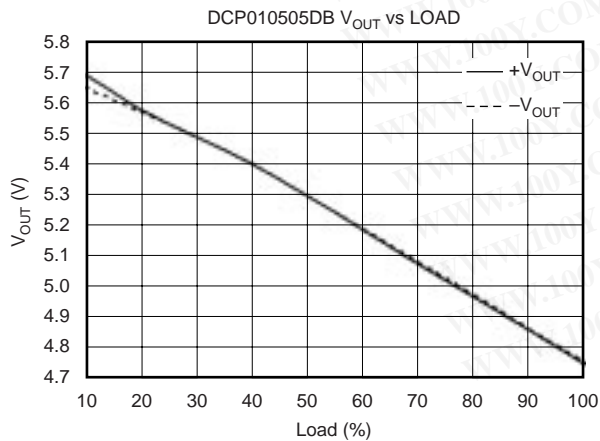
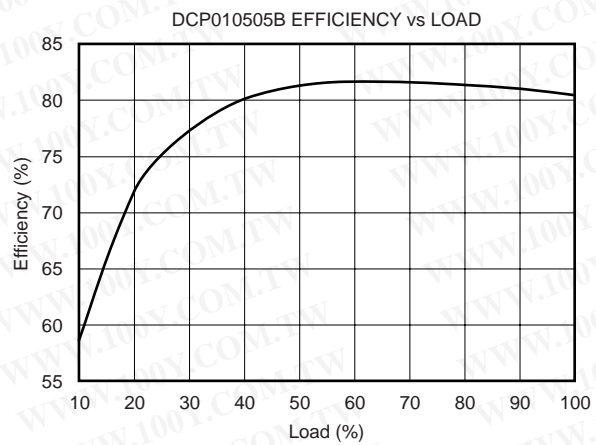
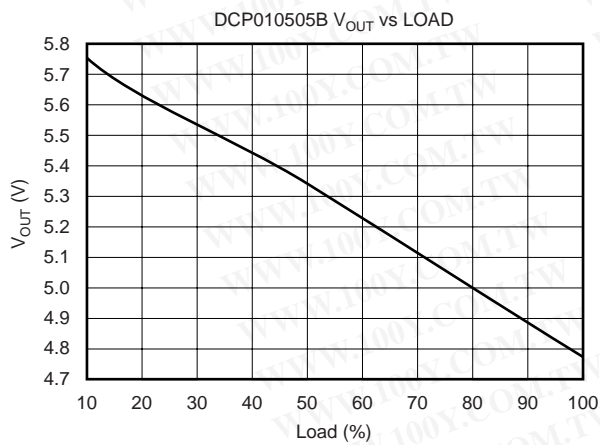
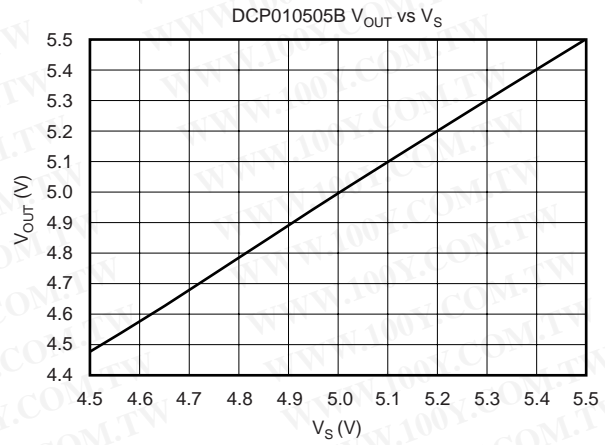
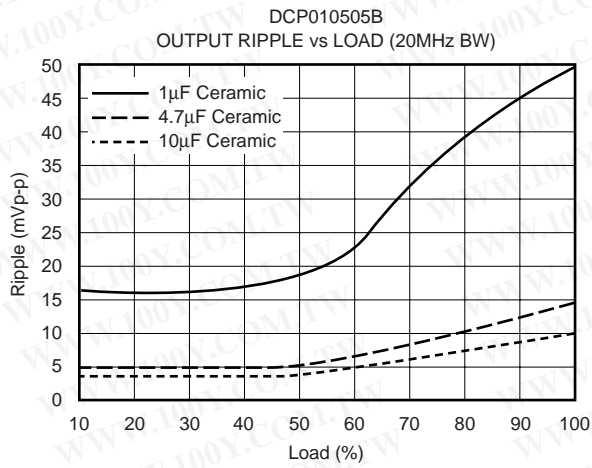
勝特力材料 886-3-5753170
勝特力电子(上海) 86-21-54151736
勝特力电子(深圳) 86-755-83298787
[Http://www.100y.com.tw](http://www.100y.com.tw)

The information provided herein is believed to be reliable; however, BURR-BROWN assumes no responsibility for inaccuracies or omissions. BURR-BROWN assumes no responsibility for the use of this information, and all use of such information shall be entirely at the user's own risk. Prices and specifications are subject to change without notice. No patent rights or licenses to any of the circuits described herein are implied or granted to any third party. BURR-BROWN does not authorize or warrant any BURR-BROWN product for use in life support devices and/or systems.

TYPICAL PERFORMANCE CURVES

At $T_A = +25^\circ\text{C}$, unless otherwise noted.

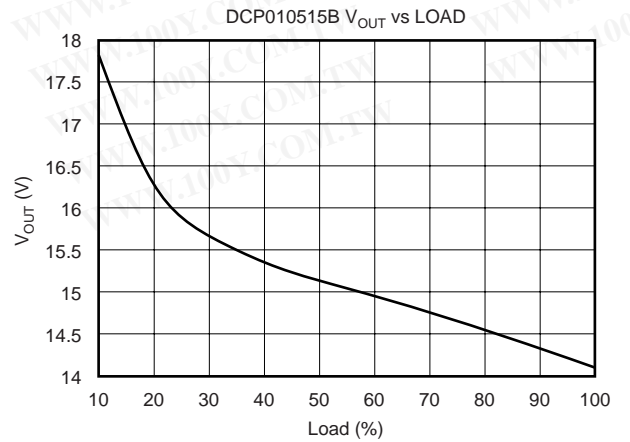
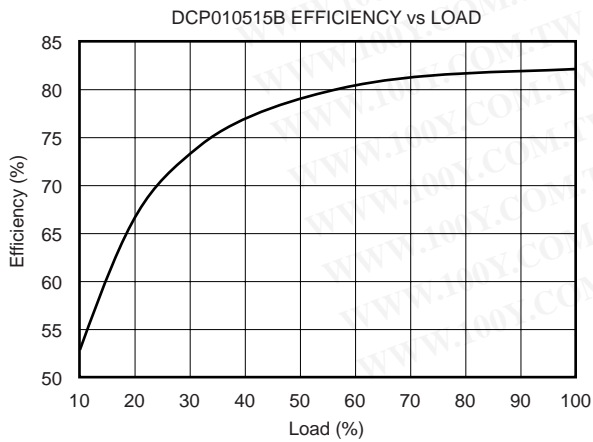
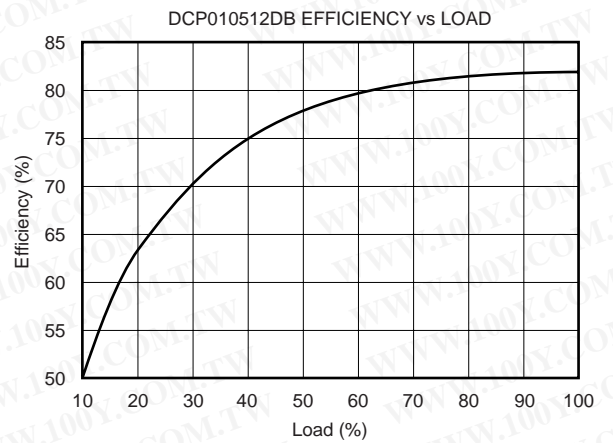
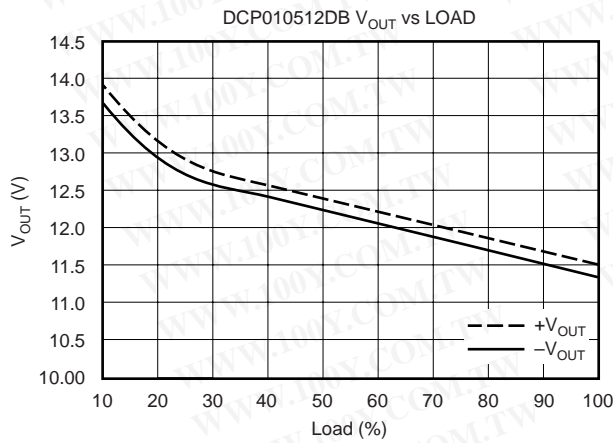
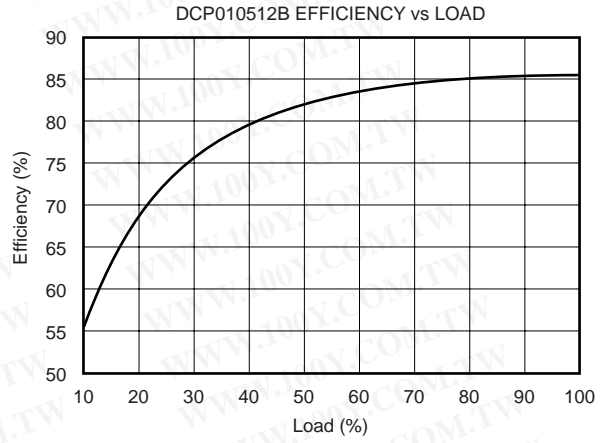
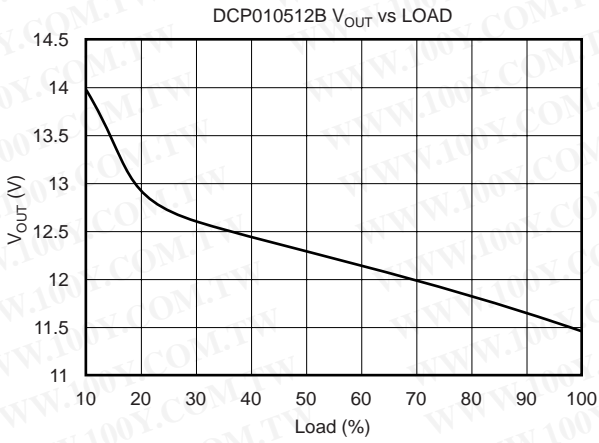
勝特力材料 886-3-5753170
 勝特力电子(上海) 86-21-54151736
 勝特力电子(深圳) 86-755-83298787
[Http://www.100y.com.tw](http://www.100y.com.tw)



TYPICAL PERFORMANCE CURVES (Cont.)

At $T_A = +25^\circ\text{C}$, unless otherwise noted.

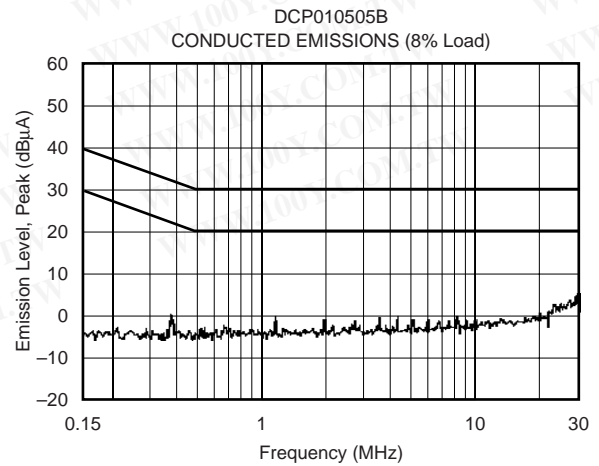
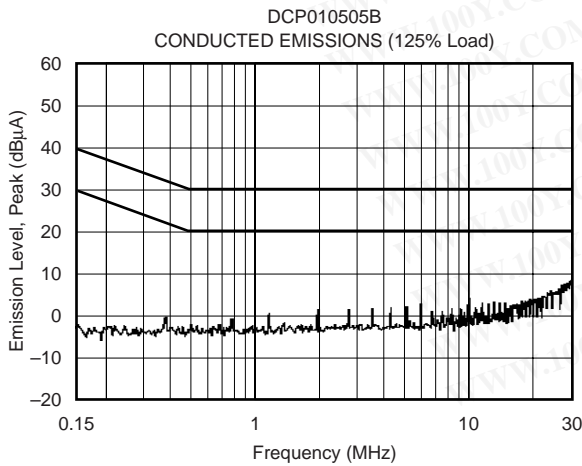
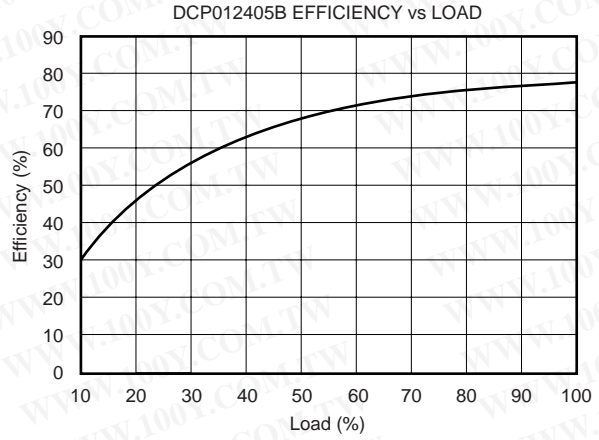
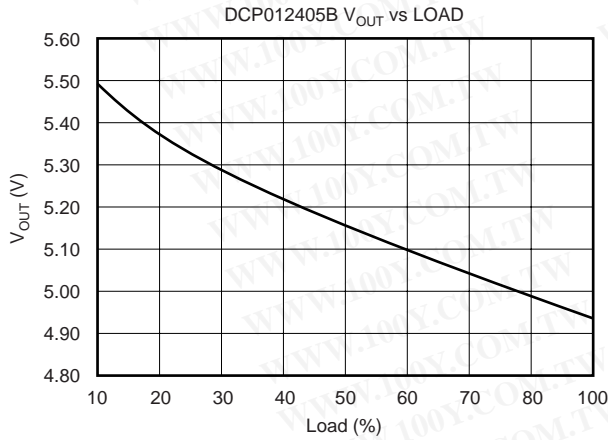
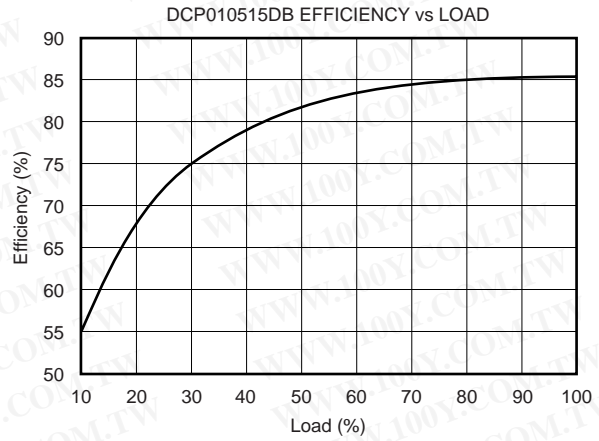
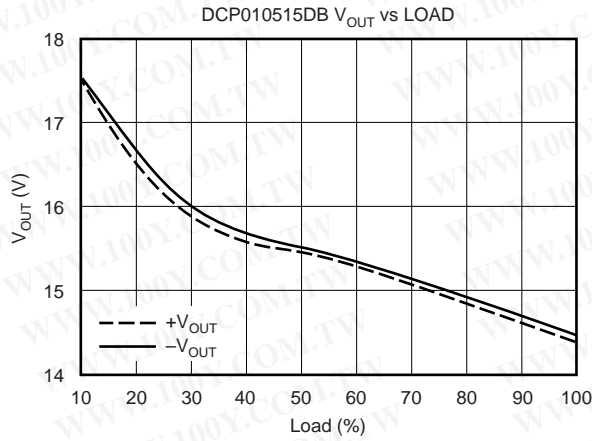
勝特力材料 886-3-5753170
 勝特力电子(上海) 86-21-54151736
 勝特力电子(深圳) 86-755-83298787
[Http://www.100y.com.tw](http://www.100y.com.tw)



TYPICAL PERFORMANCE CURVES (Cont.)

At $T_A = +25^\circ\text{C}$, unless otherwise noted.

勝特力材料 886-3-5753170
 勝特力电子(上海) 86-21-54151736
 勝特力电子(深圳) 86-755-83298787
[Http://www.100y.com.tw](http://www.100y.com.tw)



FUNCTIONAL DESCRIPTION

OVERVIEW

The DCP01B offers up to 1W of unregulated output power with a typical efficiency of up to 85%. This is achieved through highly integrated packaging technology and the implementation of a custom power stage and control IC. The circuit design utilizes an advanced BiCMOS/DMOS process.

POWER STAGE

This uses a push-pull, center-tapped topology switching at 400kHz (divide by 2 from 800kHz oscillator).

OSCILLATOR AND WATCHDOG

The onboard 800kHz oscillator generates the switching frequency via a divide by 2 circuit. The oscillator can be synchronized to other DCP01B circuits or an external source, and is used to minimize system noise.

A watchdog circuit checks the operation of the oscillator circuit. The oscillator can be stopped by pulling the SYNC pin LOW. The output pins will be tri-stated. This will occur in 2 μ s.

THERMAL SHUTDOWN

The DCP01B is protected by a thermal shutdown circuit. If the on-chip temperature exceeds 150°C, the device will shut down. Once the temperature falls below 150°C, normal operation will resume.

SYNCHRONIZATION

In the event that more than one DC/DC converter is needed onboard, beat frequencies and other electrical interference can be generated. This is due to the small variations in switching frequencies between the DC/DC converters.

The DCP01B overcomes this by allowing devices to be synchronized to one another. Up to eight devices can be synchronized by connecting the SYNC_{IN} pins together, taking care to minimize the capacitance of tracking. Stray capacitance (> 3pF) will have the effect of reducing the switching frequency, or even stopping the oscillator circuit.

If synchronized devices are used, it should be noted that, at start up, all devices will draw maximum current simultaneously. This can cause the input voltage to dip and should it dip below the minimum input voltage (4.5V), the devices may not start up. A 2.2 μ F capacitor should be connected close to the input pins.

If more than eight devices are to be synchronized, it is recommended that the SYNC_{IN} pins are driven by an external device. Details are contained in a separate applications bulletin (AB-153).

CONSTRUCTION

The DCP01B's basic construction is the same as standard ICs. There is no substrate within the molded package. The DCP01B is constructed using an IC, rectifier diodes, and a wound magnetic toroid on a leadframe. As there is no solder within the package, the DCP01B does not require any special PCB assembly processing. This results in an isolated DC/DC converter with inherently high reliability.

ADDITIONAL FUNCTIONS

DISABLE/ENABLE

The DCP01B can be disabled or enabled by driving the SYNC pin using an open drain CMOS gate. If the SYNC_{IN} pin is pulled low, the DCP01B will be disabled. The disable time depends upon the external loading; the internal disable function is implemented in 2 μ s. Removal of the pull down will cause the DCP01B to be enabled.

Capacitive loading on the SYNC_{IN} pin should be minimized in order to prevent a reduction in the oscillator frequency.

DECOUPLING

Ripple Reduction

The high switching frequency of 400kHz allows simple filtering. To reduce ripple, it is recommended that at least a 1 μ F capacitor is used on V_{OUT}. Dual outputs should both be decoupled to pin 5. A 2.2 μ F low ESR capacitor on the input of the 5V in versions, and a 0.47 μ F low ESR cap on the 24V DCP01B in versions is recommended.

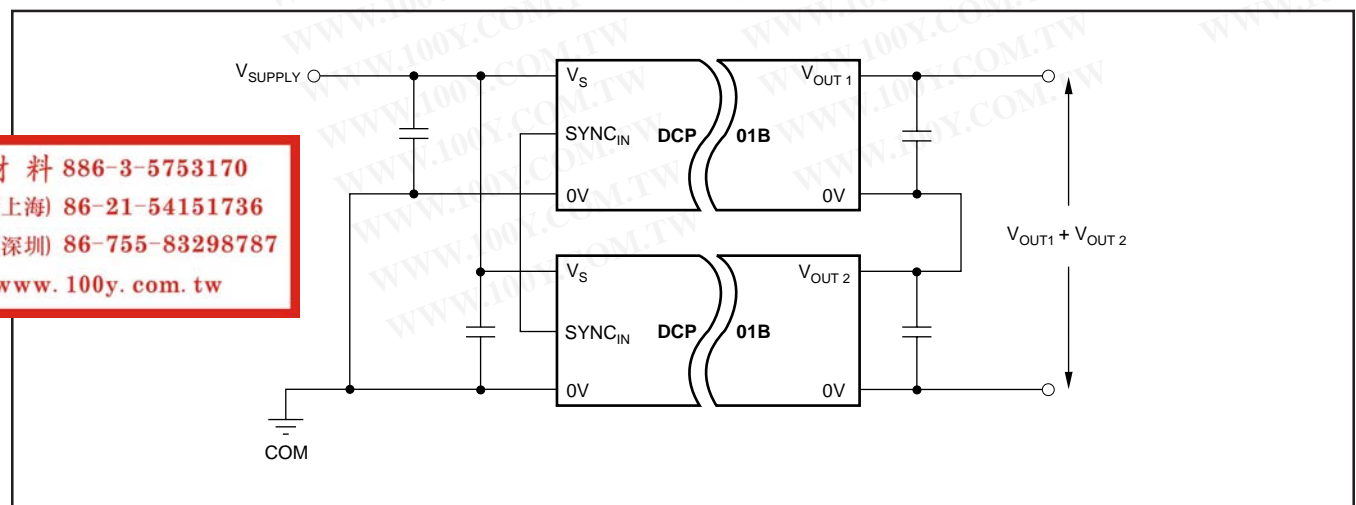


FIGURE 1. Connecting the DCP01B in Series.

勝特力材料 886-3-5753170
勝特力电子(上海) 86-21-54151736
勝特力电子(深圳) 86-755-83298787
[Http://www.100y.com.tw](http://www.100y.com.tw)

Connecting the DCP01B in Series

Multiple DCP01B isolated 1W DC/DC converters can be connected in series to provide nonstandard voltage rails. This is possible by utilizing the floating outputs provided by the DCP01B's galvanic isolation.

Connect the positive V_{OUT} from one DCP01B to the negative V_{OUT} (0V) of another (see Figure 1). If the $SYNC_{IN}$ pins are tied together, the self-synchronization feature of the DCP01B will prevent beat frequencies on the voltage rails. The $SYNC_{IN}$ feature of the DCP01B allows easy series connection without external filtering, minimizing cost.

The outputs on dual output DCP01B versions can also be connected in series to provide two times the magnitude of V_{OUT} as shown in Figure 2. For example, a dual 15V DCP01B could be connected to provide a 30V rail.

Connecting the DCP01B in Parallel

If the output power from one DCP01B is not sufficient, it is possible to parallel the outputs of multiple DCP01Bs, as shown in Figure 3. Again, the $SYNC_{IN}$ feature allows easy synchronization to prevent power-rail beat frequencies at no additional filtering cost.

PCB LAYOUT

Ripple and Noise

Careful consideration should be given to the layout of the PCB in order that the best results can be obtained.

The DCP01B is a switching power supply and as such can place high peak current demands on the input supply. In order to avoid the supply falling momentarily during the fast switching pulses ground and power planes should be used to track the power to the input of DCP01B. If this is not possible then the supplies must be connected in a star formation with the tracks made as wide as possible.

If the $SYNC_{IN}$ pin is being used then the tracking between device $SYNC_{IN}$ pins should be short to avoid stray capacitance. If the $SYNC_{IN}$ pin is not being used it is advisable to place a guard ring, (connected to input ground) around this pin to avoid any noise pick up.

The output should be taken from the device using ground and power planes, this will ensure minimum losses.

A good quality low ESR capacitor placed as close as practicable across the input will reduce reflected ripple and ensure a smooth start up.

A good quality low ESR capacitor placed as close as practicable across the rectifier output terminal and output ground will give the best ripple and noise performance.

THERMAL MANAGEMENT

Due to the high power density of this device it is advisable to provide ground planes on the input and output.

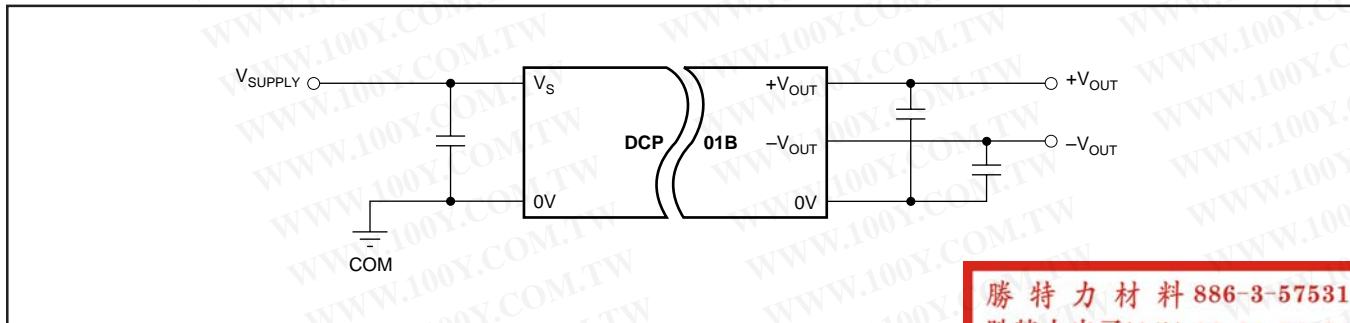


FIGURE 2. Connecting Dual Outputs in Series.

勝特力材料 886-3-5753170
勝特力电子(上海) 86-21-54151736
勝特力电子(深圳) 86-755-83298787
[Http://www.100y.com.tw](http://www.100y.com.tw)

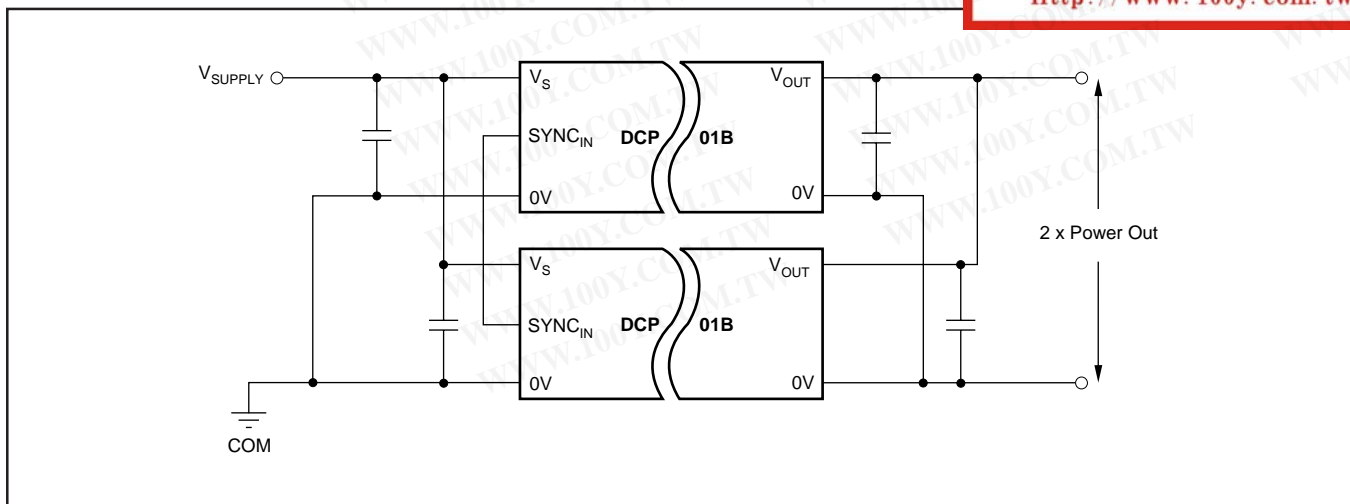


FIGURE 3. Connecting Multiple DCP01Bs in Parallel.