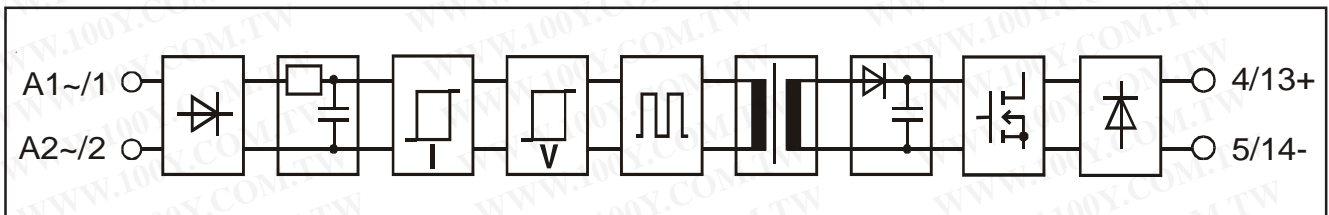


- DIN-rail mount input relay for 380...400 VAC voltages
- 100 mA maximum load current
- 0...60 VDC load voltage
- Works without logic supply (4 pole)
- For PLC input signal conditioning
- Immune to disturbances on signal lines
- Shielded signal cabling not required
- CE (EMC and LVD tested)
- Integrated status LED

勝特力材料 886-3-5753170  
 勝特力电子(上海) 86-21-54151736  
 勝特力电子(深圳) 86-755-83298787  
[Http://www.100y.com.tw](http://www.100y.com.tw)

### Block diagram



### Specifications (at temperature of 25 °C)

#### Primary

Input voltage	nominal	380...400 VAC
Input current	typical	4,6 mA
	maximum	5 mA
Input voltage range (abs.)	minimum	350 VAC
	maximum	440 VAC
Input impedance	typical	80 kΩ
Switch-on voltage	typical	320 VAC
	maximum	350 VAC
Switch-off voltage	typical	220 VAC
	minimum	180 VAC
Noise immunity	typical	95 mJ

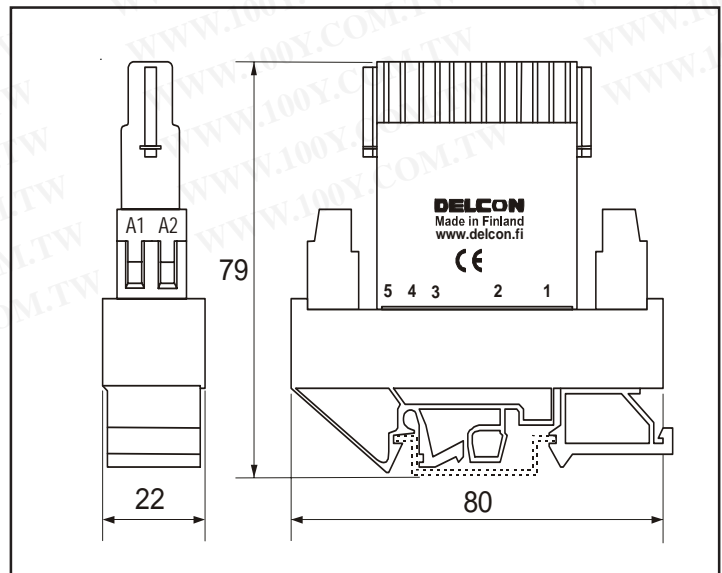
#### Secondary

Load voltage	minimum	0 VDC
	maximum	60 VDC
Load current	maximum	100 mA
	Voltage drop at 50 mA load	typical
Switch-on delay	maximum	0,4 V
	typical	50 ms
Switch-off delay	maximum	-
	typical	50 ms
maximum	-	

### Physical dimensions and other data

Breakdown voltage	minimum	4000 VAC rms
Resistance	minimum	10 <sup>10</sup> Ω
Materials:		
housing	thermoplastic	UL 94 V-0
socket	thermoplastic	UL 94 V-2
Weight	typical	75 g
Air/creepage distance	minimum	8 mm
Capacitance I/O	typical	3 pF
Screw terminals:		
solid wire	4 mm <sup>2</sup>	(AWG 12)
stranded	2,5 mm <sup>2</sup>	(AWG 14)
Torque	maximum	0,5 Nm

Color of casing: yellow



Dimensions in mm.

## Temperature limitations

### Ambient temperature

-25 °C...+40 °C

+40 °C...+55 °C

+55 °C...+70 °C

### Limitation

Input voltage 440 VAC (absolute maximum).

Input voltage 400 VAC (absolute maximum).

Input voltage 380 VAC (absolute maximum).

勝特力材料 886-3-5753170  
 勝特力电子(上海) 86-21-54151736  
 勝特力电子(深圳) 86-755-83298787  
[Http://www.100y.com.tw](http://www.100y.com.tw)

### Temperature range:

Storage: -40 °C...+70 °C  
 Operation: -25 °C...+70 °C

## Derating when switching inductive loads

This relay is ment for PLC inputs and similar loads. A clamp diode must be used when swiching inductive loads.

## Fusing

To protect relay against short circuit and overload a fast fuse with the correct rating for the load and the capacity of the relay should be chosen, for instance from the Wickman 193 range. Note that when overload current is not large it is possible that the fuse will not protect the relay because of the tolerance on the fuse rating.

## Approvals



UL-file E 162828



The relay fulfils EMC-directive 89/336/EEC requirements. Product has been tested according generic standards EN50081-2 and EN50082-2. The relay fulfils also requirements of the low voltage directive 73/23/EEC.

## Guarantee

The solid state I/O relays and accessories made by Delcon Oy are guaranteed free from design and manufacturing defects for a period of three years from the shipping date. For electromechanical relays the guarantee is one year. The guarantee liability is limited to replacement of defective material and related shipping charges. Defective products must be returned to the factory for evaluation. This guarantee does not cover damage due to incorrect use or electrical overload.