

DC Brushless Fan Dimension 40 x 40 x 10 mm

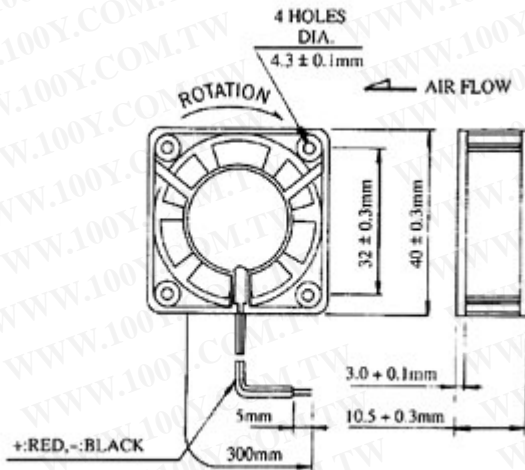


Features:

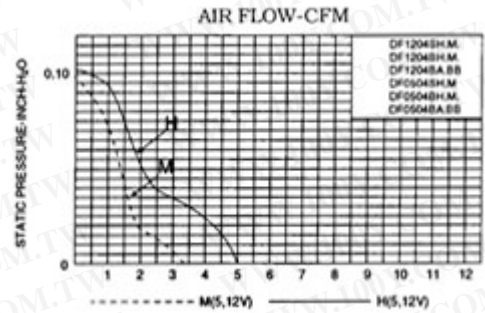
- Frame: Plastic Material UL 94V-0
- Blade: Plastic Material UL 94V-0
- Dielectric Strength: 50/60 Hz, 500 VAC, 1 minute (between lead conductor and frame)
- Insulation Resistance: 50M ohm min. at 500 VDC (between lead wire(+) and frame)
- Operating Temperature: -10°C to +65°C

Also available in 5 Voltage, 2.54pin/3pin/4pin connectors

Fan Dimension



Fan Performance Curve



Specifications

Model	Bearing System	Rated Voltage	Input Current	Input Power	Speed	Air Flow	Static Pressure	Noise Level	Weight
		V	A	W	RPM	CFM	Inch-H <sub>2</sub> O	dBA	gm
DF124010BB	2xBall	12	0.04	0.48	4500	3.36	0.09	26	17
DF124010BM	Ball	12	0.04	0.48	4500	3.36	0.09	26	17
DF124010SM	Sleeve	12	0.04	0.48	4500	3.36	0.09	26	17
DF124010BA	2xBall	12	0.06	0.72	5500	5	0.105	28	17
DF124010BH	Ball	12	0.06	0.72	5500	5	0.105	28	17
DF124010SH	Sleeve	12	0.06	0.72	5500	5	0.105	28	