

DC Brushless Fan Dimension 80x80x20 mm

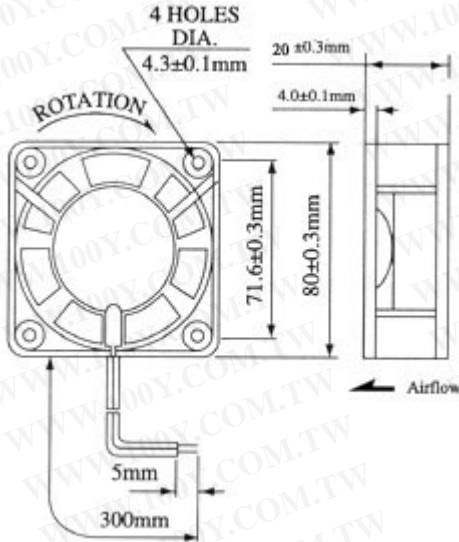


Features:

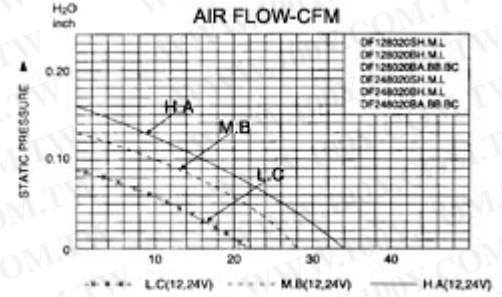
- Frame: Plastic Material UL 94V-0
- Blade: Plastic Material UL 94V-0
- Dielectric Strength: 50/60 Hz, 500 VAC, 1 minute (between lead conductor and frame)
- Insulation Resistance: 500M ohm min. at 500 VDC (between lead wire (+) and frame)
- Operating Temperature: -10°C to +65°C

Also available in 3pin/4pin connectors

Fan Dimension



Fan Performance Curve



勝特力材料 886-3-5753170
 勝特力电子(上海) 86-21-54151736
 勝特力电子(深圳) 86-755-83298787
[Http://www.100y.com.tw](http://www.100y.com.tw)

Specifications

Model	Bearing System	Rated Voltage	Input Current	Input Power	Speed	Air Flow	Static Pressure	Noise Level	Weight
		V	A	W	RP/60	CFM	Inch-H ₂ O	dBA	gm
DF128020BC	2xBall	12	0.10	1.2	2200	21.5	0.09	23	60
DF128020BL	Ball	12	0.10	1.2	2200	21.5	0.09	23	60
DF128020SL	Sleeve	12	0.10	1.2	2200	21.5	0.09	23	60
DF128020BB	2XBall	12	0.13	1.56	2600	28	0.13	29.5	60
DF128020BM	Ball	12	0.13	1.56	2600	28	0.13	29.5	60
DF128020SM	Sleeve	12	0.13	1.56	2600	28	0.13	29.5	60
DF128020BA	2xball	12	0.18	2.16	3000	33	0.16	30	60
DF128020BH	Ball	12	0.18	2.16	3000	33	0.16	30	60
DF128020SH	Sleeve	12	0.18	2.16	3000	33	0.16	30	