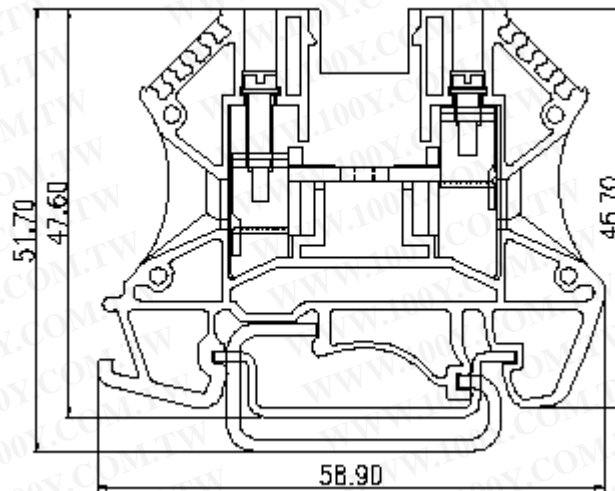
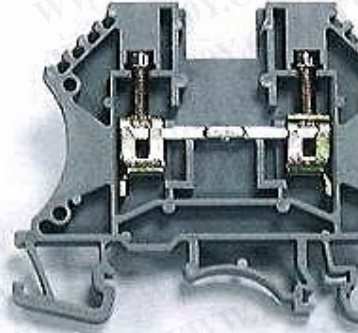


DK2.5 - Screw type / Din Rail screw type 1

Rated (UL)	600V / 25A
(IEC)	500V / 24A
Suitable Wire	22 ~ 12 AWG (2.5mm ²)
Torque Value	4 kg-cm
Material	Polyamide, UL 94 (V0)
Screw Size	M 2.5
Rail Type	TS-35, TS-32
Temperature	-40C° ~ +105C°
Thickness	5.0mm



勝特力材料 886-3-5753170
 勝特力电子(上海) 86-21-54151736
 勝特力电子(深圳) 86-755-83298787
[Http://www.100y.com.tw](http://www.100y.com.tw)