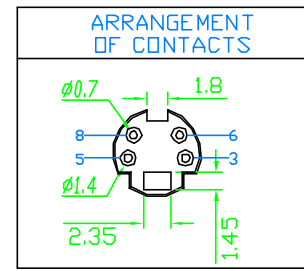
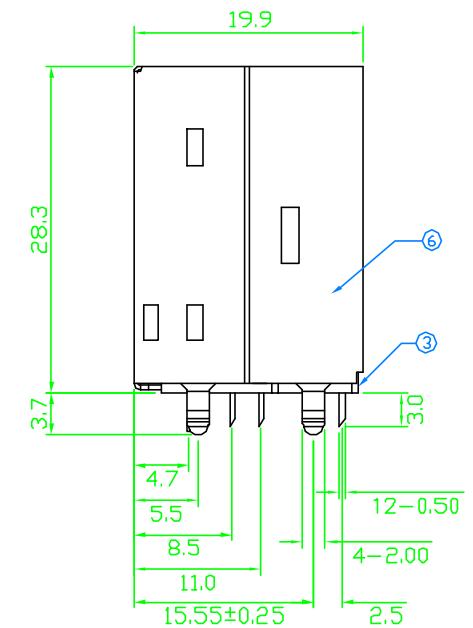
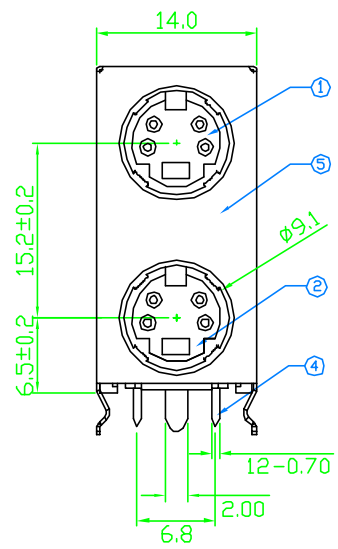
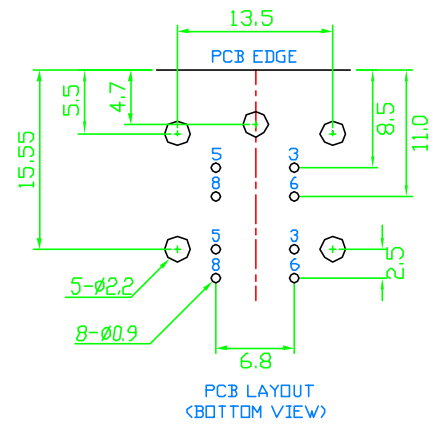


REV	ZONE	REVISION	DATE



Green Product

Specification:
 Contact Resistance: 30m Ohm Max.
 Insulation Resistance: 100M Ohm Min. AT 500V DC
 Rated Voltage And Current: DC12V.2A Max; AC 100V.1A Max
 Dielectric Withstanding Voltage: 250V AC For 1 Minute
 Durability (Life Test): 100 Cycles
 Insertion Force: 4.0KG Maximum.
 Extraction Force: 0.9KG Minimum.



NO.	NAME	MATERIAL	FINISH	REMARK	Q'TY
1	TOP HOUSING	PBT G.F.	BLACK		1
2	BOTTOM HOUSING	PBT G.F.	BLACK		1
3	BACK COVER	PBT G.F.	BLACK		1
4	CONTACT TERM.	PHOS. BRONZE T:0.2	GOLD/TIN PLATED	Gold:1~3u"; NI:40~60u"; TIN:120u" (100% pure Tin of lead free plating)	8
5	FRONT SHIELD	BRASS T:0.3	TIN PLATED	TIN:120~200u"	1
6	BACK SHIELD	BRASS T:0.3	TIN PLATED	TIN:120~200u"	1

勝特力材料 886-3-5753170
 勝特力电子(上海) 86-21-34970699
 勝特力电子(深圳) 86-755-83298787
 Http://www.100y.com.tw

COMPUTER NO.			UNIT	SCALE	PART NAME		
D:\DWG\608F-4-L			mm	1:1	MINI DIN JACK DUAL		
APPD.	CKD.	DWG.	DATE	TOLERANCE	PART NO.	REV.	
		TINA	23-04-10	X. ±0.38 X ±0.25 XX ±0.13 XXX ±0.05		A3	

MODEL DN-608F-4-L PAGE 1 OF 1