



July 1999

DS1488 Quad Line Driver

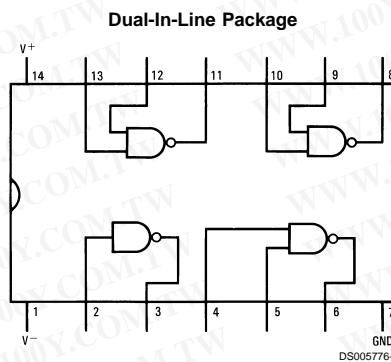
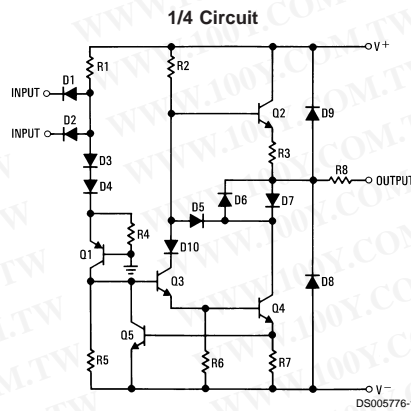
General Description

The DS1488 is a quad line driver which converts standard TTL input logic levels through one stage of inversion to output levels which meet EIA Standard RS-232D and CCITT Recommendation V.24.

Features

- Current limited output: ± 10 mA typ
- Power-off source impedance: 300Ω min
- Simple slew rate control with external capacitor
- Flexible operating supply range
- Inputs are TTL/LS compatible

Schematic and Connection Diagrams



Top View
 Order Number DS1488M or DS1488N
 See NS Package Number M14A or N14A

DS1488 Quad Line Driver

Absolute Maximum Ratings (Note 2)

If Military/Aerospace specified devices are required, please contact the National Semiconductor Sales Office/Distributors for availability and specifications.

Supply Voltage	
V ⁺	+15V
V ⁻	-15V
Input Voltage (V _{IN})	-15V ≤ V _{IN} ≤ 7.0V
Output Voltage	±15V

Operating Temperature Range	0°C to +75°C
Storage Temperature Range	-65°C to +150°C
Maximum Power Dissipation (Note 1) at 25°C	
Molded DIP Package	1280 mW
SO Package	974 mW
Lead Temperature (Soldering, 4 sec.)	260°C
Note 1: Derate molded DIP package 10.2 mW/°C above 25°C; derate SO package 7.8 mW/°C above 25°C.	

Electrical Characteristics (Notes 3, 4)

V_{CC+} = 9V, V_{CC-} = -9V unless otherwise specified

Symbol	Parameter	Conditions	Min	Typ	Max	Units
I _{IL}	Logical "0" Input Current	V _{IN} = 0V		-0.8	-1.3	mA
I _{IH}	Logical "1" Input Current	V _{IN} = +5.0V		0.005	10.0	μA
V _{OH}	High Level Output Voltage	R _L = 3.0 kΩ, V ⁺ = 9.0V, V ⁻ = -9.0V	6.0	7.1		V
		V _{IN} = 0.8V, V ⁺ = 13.2V, V ⁻ = -13.2V	9.0	10.7		V
V _{OL}	Low Level Output Voltage	R _L = 3.0 kΩ, V ⁺ = 9.0V, V ⁻ = -9.0V	-6.0	7.0		V
		V _{IN} = 1.9V, V ⁺ = 13.2V, V ⁻ = -13.2V	-9.0	-10.6		V
I _{OS+}	High Level Output Short-Circuit Current	V _{OUT} = 0V, V _{IN} = 0.8V	-6.0	-10.0	-12.0	mA
I _{OS-}	Low Level Output Short-Circuit Current	V _{OUT} = 0V, V _{IN} = 1.9V	6.0	10.0	12.0	mA
R _{OUT}	Output Resistance	V ⁺ = V ⁻ = 0V, V _{OUT} = ±2V	300			Ω
I _{CC+}	Positive Supply Current (Output Open)	V _{IN} = 1.9V, V ⁺ = 9.0V, V ⁻ = -9.0V		11.6	20.0	mA
		V ⁺ = 12V, V ⁻ = -12V		15.7	25.0	mA
		V ⁺ = 15V, V ⁻ = -15V		19.4	34.0	mA
		V _{IN} = 0.8V, V ⁺ = 9.0V, V ⁻ = -9.0V		3.4	6.0	mA
		V ⁺ = 12V, V ⁻ = -12V		4.1	7.0	mA
		V ⁺ = 15V, V ⁻ = -15V		9.1	12.0	mA
I _{CC-}	Negative Supply Current (Output Open)	V _{IN} = 1.9V, V ⁺ = 9.0V, V ⁻ = -9.0V		-10.8	-17.0	mA
		V ⁺ = 12V, V ⁻ = -12V		-14.6	-23.0	mA
		V ⁺ = 15V, V ⁻ = -15V		-18.3	-34.0	mA
		V _{IN} = 0.8V, V ⁺ = 9.0V, V ⁻ = -9.0V		-0.001	-0.100	mA
		V ⁺ = 12V, V ⁻ = -12V		-0.001	-0.100	mA
		V ⁺ = 15V, V ⁻ = -15V		-0.01	-2.5	mA
P _d	Power Dissipation	V ⁺ = 9.0V, V ⁻ = -9.0V		252	333	mW
		V ⁺ = 12V, V ⁻ = -12V		444	576	mW

Switching Characteristics

(V_{CC} = 9V, V_{EE} = -9V, T_A = 25°C)

Symbol	Parameter	Conditions	Min	Typ	Max	Units
t _{pd1}	Propagation Delay to a Logical "1"	R _L = 3.0 kΩ, C _L = 15 pF, T _A = 25°C		187	350	ns
t _{pd0}	Propagation Delay to a Logical "0"	R _L = 3.0 kΩ, C _L = 15 pF, T _A = 25°C		45	175	ns
t _r	Rise Time	R _L = 3.0 kΩ, C _L = 15 pF, T _A = 25°C		63	100	ns
t _f	Fall Time	R _L = 3.0 kΩ, C _L = 15 pF, T _A = 25°C		33	75	ns

Note 2: "Absolute Maximum Ratings" are those values beyond which the safety of the device cannot be guaranteed. Except for "Operating Temperature Range" they are not meant to imply that the devices should be operated at these limits. The table of "Electrical Characteristics" provides conditions for actual device operation.

Note 3: Unless otherwise specified min/max limits apply across the 0°C to +75°C temperature range for the DS1488.

Note 4: All currents into device pins shown as positive, out of device pins as negative, all voltages referenced to ground unless otherwise noted. All values shown as max or min on absolute value basis.

Applications

By connecting a capacitor to each driver output the slew rate can be controlled utilizing the output current limiting characteristics of the DS1488. For a set slew rate the appropriate capacitor value may be calculated using the following relationship

$$C = I_{SC} (\Delta T / \Delta V)$$

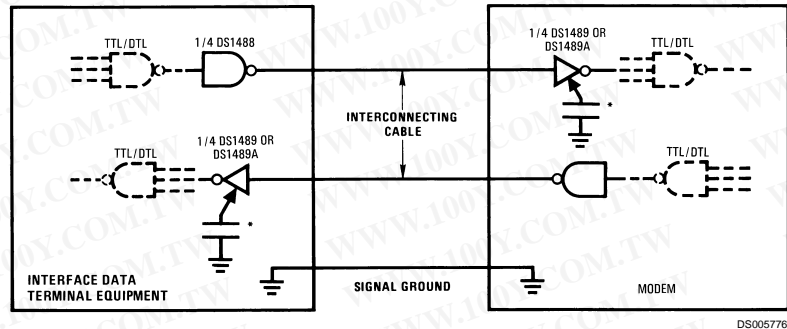
where C is the required capacitor, I_{SC} is the short circuit current value, and $\Delta V / \Delta T$ is the slew rate.

RS-232C specifies that the output slew rate must not exceed 30V per microsecond. Using the worst case output short circuit current of 12 mA in the above equation, calculations result in a required capacitor of 400 pF connected to each output.

See Typical Performance Characteristics.

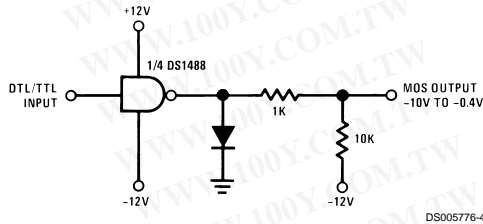
Typical Applications

RS-232C Data Transmission

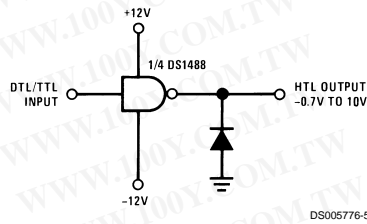


Note 5: Optional for noise filtering

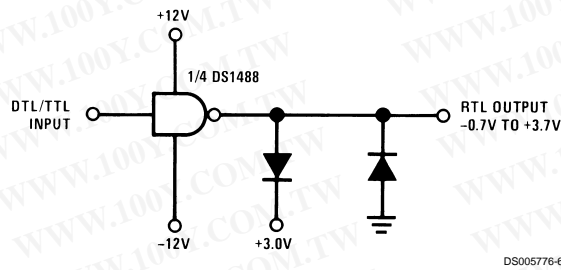
DTL/TTL-to-MOS Translator



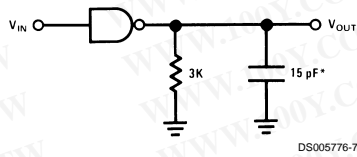
DTL/TTL-to-HTL Translator



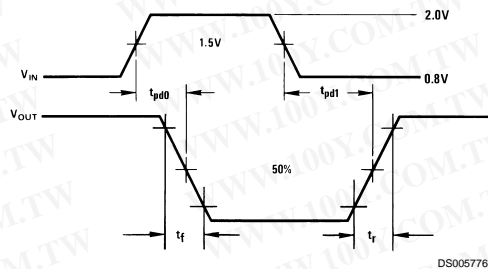
DTL/TTL-to-RTL Translator



AC Load Circuit and Switching Time Waveforms



* C_L includes probe and jig capacitance.



t_r and t_f are measured between 10% and 90% of the output waveform.

Typical Performance Characteristics $T_A = +25^\circ\text{C}$ unless otherwise noted

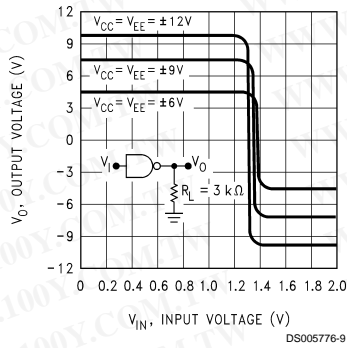


FIGURE 1. Transfer Characteristics vs Power Supply Voltage

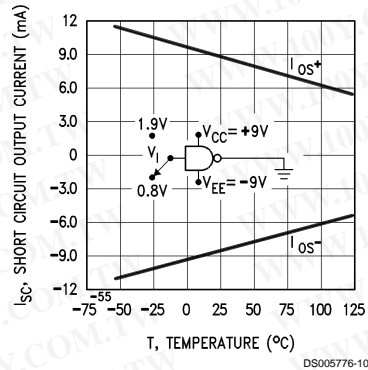


FIGURE 2. Short-Circuit Output Current vs Temperature

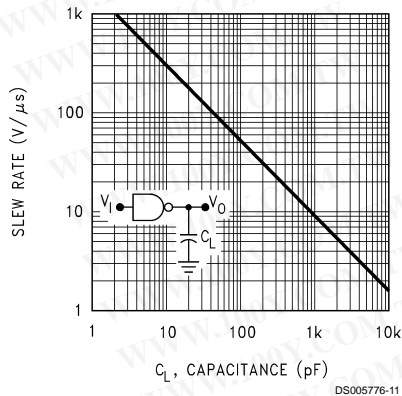


FIGURE 3. Output Slew Rate vs Load Capacitance

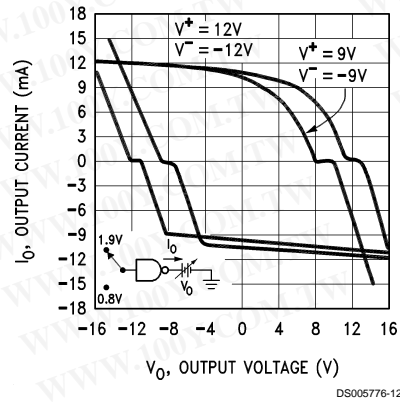
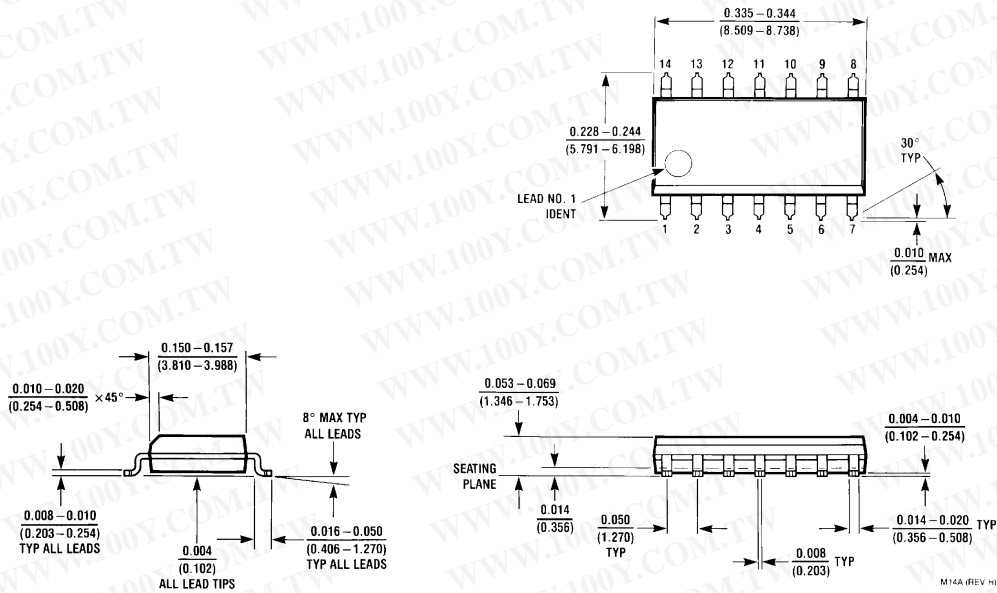
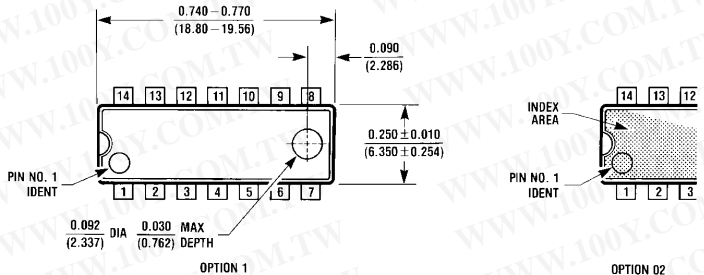


FIGURE 4. Output Voltage and Current-Limiting Characteristics

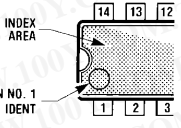
Physical Dimensions inches (millimeters) unless otherwise noted



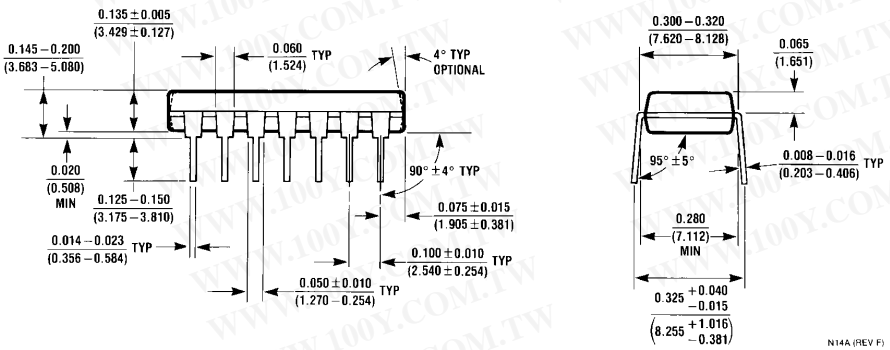
SO Package (M)
Order Number DS1488M
NS Package Number M14A



OPTION 1



OPTION 2



N14A (REV F)

Molded Dual-In-Line Package (N)
Order Number DS1488N
NS Package Number N14A