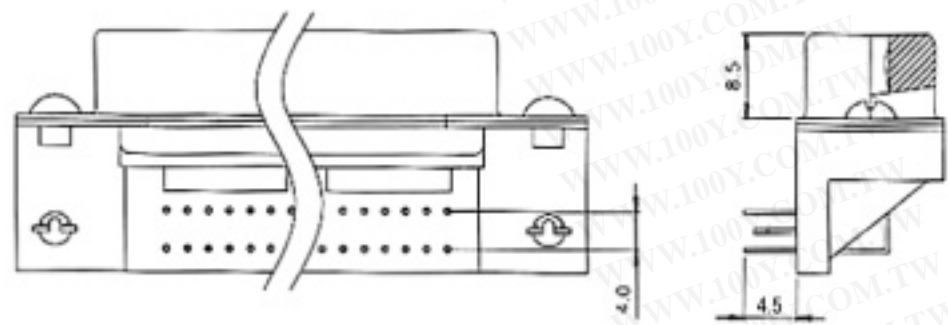


POSITION	A	B	C
14M	25.50	36.00	43.90
24M	36.30	46.80	54.70
36M	49.30	59.70	67.70
50M	64.40	74.90	82.80

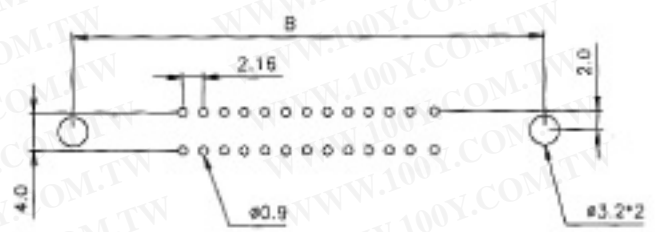


**SPECIFICATION**

Electric  
 Current Rating: 1Amp  
 Contact Resistance: 25 Milliohm Max.  
 Insulation Resistance: 1000 Megohm Max. At 500V DC  
 Dielectric Withstanding Voltage: 1000V AC/Minute.  
 Operating Temperature: -55° C to +105° C

**Material**

Insulator: PBT , UL94V-0  
 Contact: Copper Alloy  
 Shell: Steel, Nickel Over Copper Plated  
 Hood: Steel, Nickel Over Copper Plated



**PCB LAYOUT**

**ORDER INFORMATION**

14  
24  
36  
50

M: Male

A: Panel Type  
W/O Latch

A: Screw W/Boardlock

S: Selective Gold  
G: Gold Flash  
C: Gold 15u"  
B: Gold 30u"

L: Blue  
B: Black

Fill It With "0"

勝特力材料 886-3-5753170  
 勝特力电子(上海) 86-21-54151736  
 勝特力电子(深圳) 86-755-83298787  
[Http://www.100y.com.tw](http://www.100y.com.tw)

UNIT

SCALE

PART NAME

MM

3:1

Centronic PCB 90° Male Panel Type  
W/O Latch Screw W/Boardlock

APPD.

CKD.

TOLERANCE

PART NO.

REV

± 0.3

A

制表日: 2002/12/04

DRAWING.

APPROVED