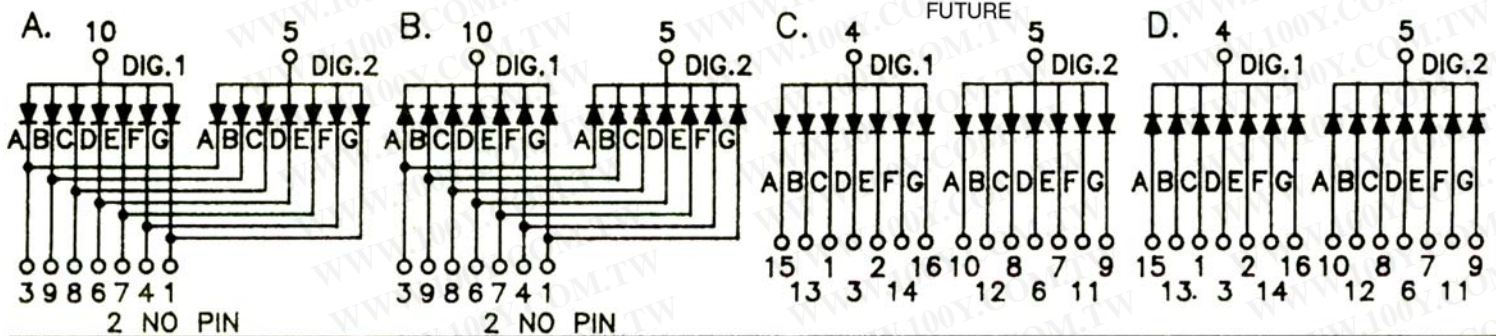


勝特力材料 886-3-5753170
 勝特力电子(上海) 86-21-54151736
 勝特力电子(深圳) 86-755-83298787
[Http://www.100y.com.tw](http://www.100y.com.tw)



PIN FUNCTION	A	C	B	D	WAVE LENGTH	IR MAX (uA)	VF (V)	LIMINOUS INTENSITY
EMITTING COLOR	COMMON ANODE	COMMON ANODE	COMMON CATHODE	COMMON CATHODE	@ IF=20mA	@ VR=5V	@ IF=20mA	@ IF=10mA
GaAsp	RED	E3026R-		F3026R-	655 nm	100uA	1.7V	570ucd
Gap	RED	E3026H-	A3026H-	F3026H-	695 nm	100uA	2.2V	1000ucd
GaAsp/Gap	ORANGE	E30260-		F30260-	635 nm	100uA	2.0V	2000ucd
GaAsp/Gap	YELLOW	E3026Y-		F3026Y-	600 nm	100uA	2.1V	2000ucd
Gap	GREEN	E3026G-	A3026G-	F3026G-	565 nm	100uA	2.2V	2000ucd
Gap	PUREGREEN	E3026GM		F3026GM	555 nm	100uA	2.2V	1000ucd
GaAlAs	RED	E3026RS		F3026RS	655 nm	100uA	1.8V	5000ucd