

# ER9V

## Lithium Thionyl Chloride Battery

# Brief Datasheet

勝特力材料 886-3-5753170  
勝特力电子(上海) 86-21-54151736  
勝特力电子(深圳) 86-755-83298787  
[Http://www.100y.com.tw](http://www.100y.com.tw)

### 1 Basic Specification

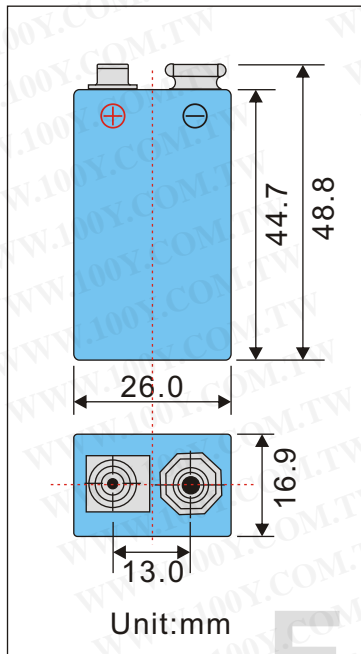
(Typical values relative to cells stored for one year or less at +30°C max.)

Nominal capacity (at 1mA +23°C, 2.0V cut off)	1200mAh
Nominal voltage	10.8V
Standard discharge current	1mA
Maximum continuous current	35mA
Maximum pulse current	100mA
Operating temperature range	-55°C- +85°C
Storage temperature (recommended)	+30°C Max
Weight	29g

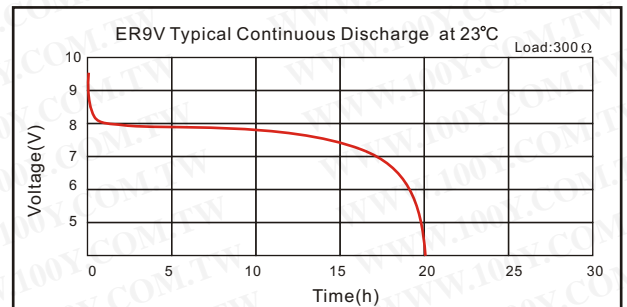
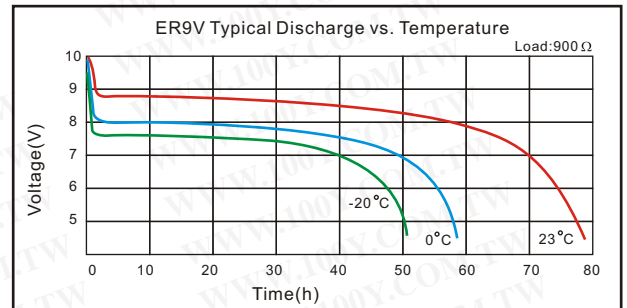
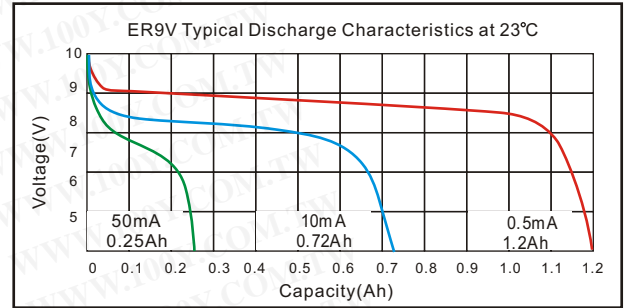
\*Energy type is bobbin structure and best suit for low current discharge.  
It may require depassivation before medium currents can be delivered.

\*Underwriters Laboratories (UL) Component Recognition (File Number MH 20555).

### 2 Dimension



### 3 Electrical Characteristics

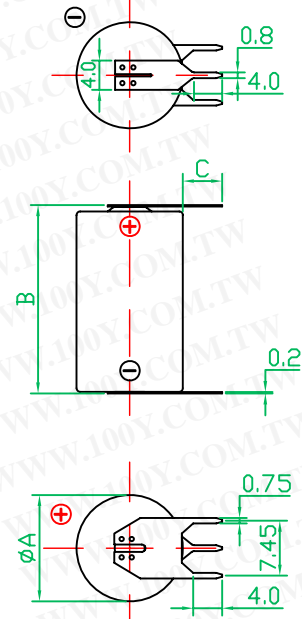
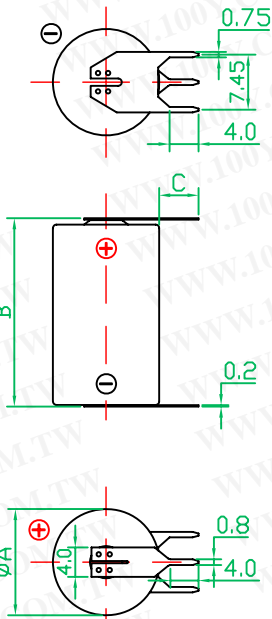


# ENERGY TYPE

# -VX Pin

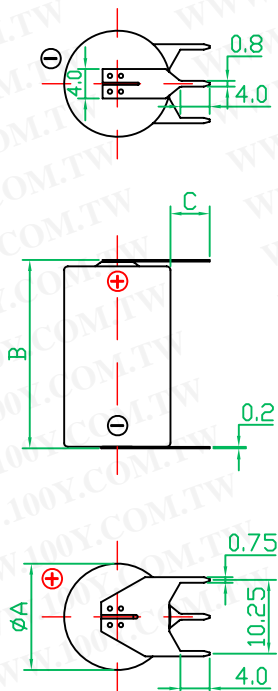
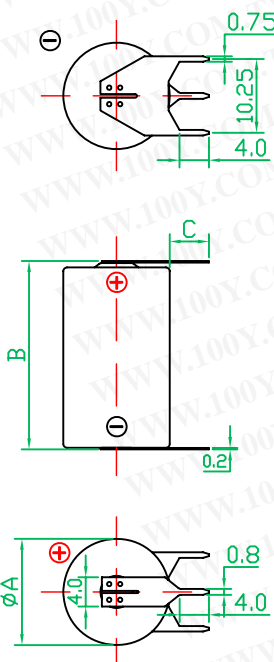
# -VXR Pin

勝特力材料 886-3-5753170  
勝特力电子(上海) 86-21-54151736  
勝特力电子(深圳) 86-755-83298787  
[Http://www.100y.com.tw](http://www.100y.com.tw)



# -VB Pin

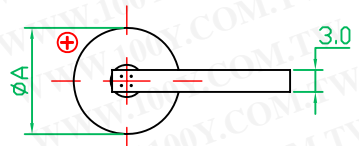
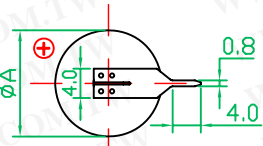
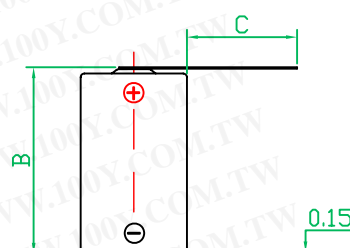
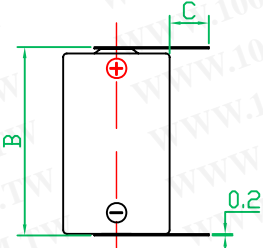
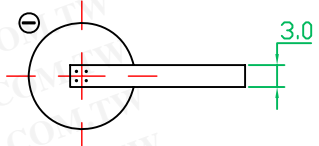
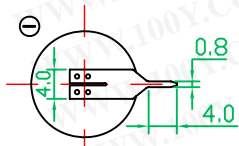
# -VBR Pin



# -VY Pin

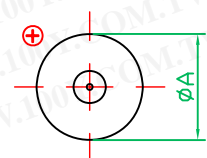
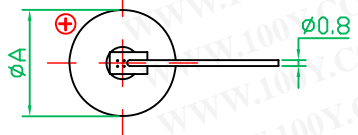
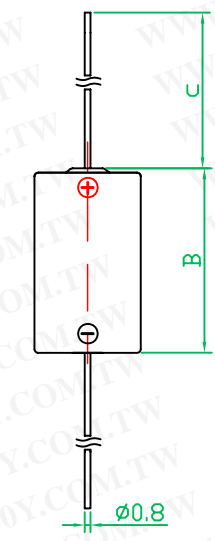
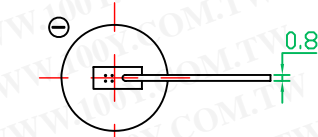
# -FT Pin

勝特力材料 886-3-5753170  
勝特力电子(上海) 86-21-54151736  
勝特力电子(深圳) 86-755-83298787  
[Http://www.100y.com.tw](http://www.100y.com.tw)



# -AV(Axial Pin)

# -AX(Axial Pin)



1

2

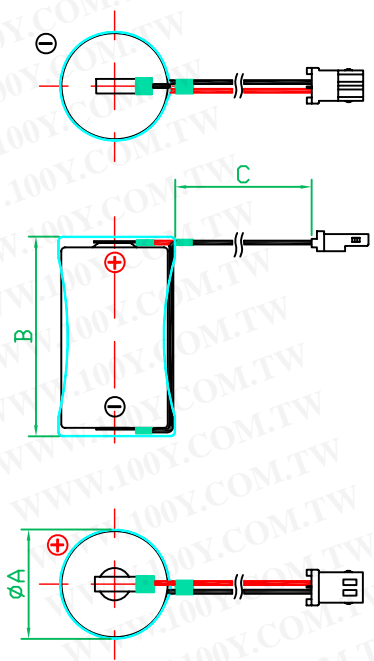
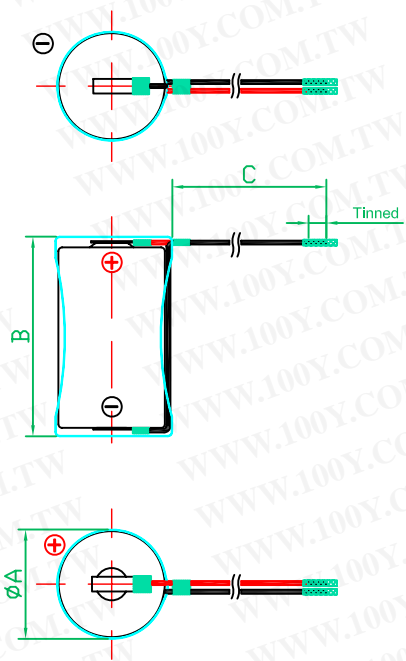
3

4

# - LD(Cable)

# - LD/(With connector)

勝特力材料 886-3-5753170  
 勝特力电子(上海) 86-21-54151736  
 勝特力电子(深圳) 86-755-83298787  
[Http://www.100y.com.tw](http://www.100y.com.tw)



1

2

3

4

A

B

C

A

B

C