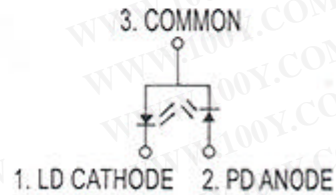
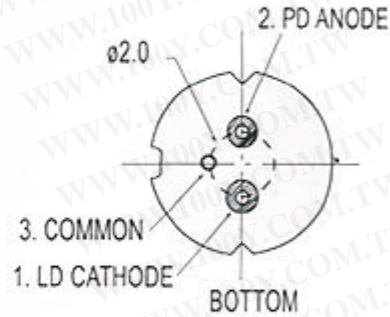
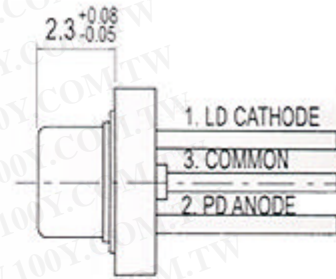
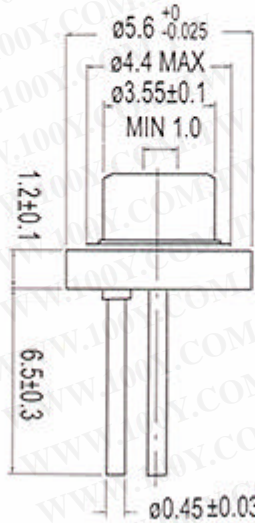
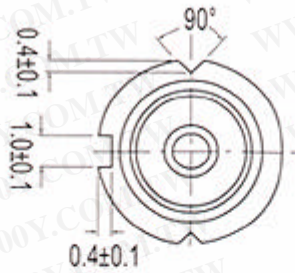


Visible Laser Diode



without glass

Item No.:EL65-18-A

Model:

Specification:

Manufacture:

Description:Wavelength(nm):650

Optical Output Power(mW) Max:5

Threshold Current(mA)Typ:20

Operating Current(mA) Typ:28

Operating Voltage(V) Max:2.6

Slope Efficiency(mW/mA) Typ:0.7

Monitor Current(μA) Typ:300

勝特力材料 886-3-5753170
勝特力电子(上海) 86-21-54151736
勝特力电子(深圳) 86-755-83298787
[Http://www.100y.com.tw](http://www.100y.com.tw)