

Electronic Ballast-Instant Start (FOR:G10T5/4P,G14T5/4P)

MODEL # EPD-A14T5MUV

120~277V 50/60HZ



LINE:

0.87A / 120V max

0.38A / 277V max

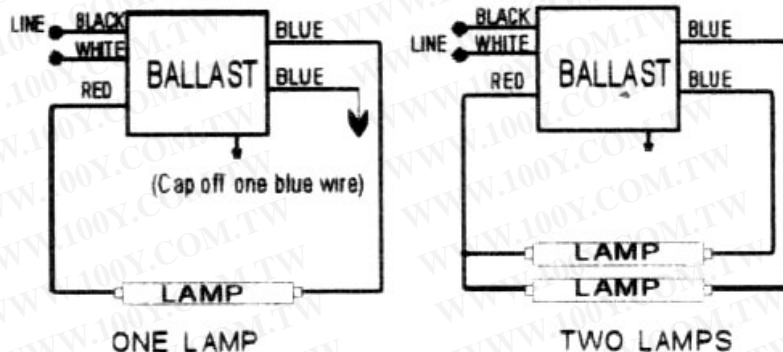
Type 1 Outdoor

High Power Factor

Application:

- For use with one or two 14WUV lamps
- Open Circuit Voltage 600 max.
- Min starting temp -10°C
- Sound rating A
- Inherent Thermal Protection
- Type HL
-

勝特力材料 886-3-5753170
勝特力电子(上海) 86-21-54151736
勝特力电子(深圳) 86-755-83298787
[Http://www.100y.com.tw](http://www.100y.com.tw)



NO PCB'S HIGH VOLTAGE Ground
CAUTION: ballast case to avoid
possible shock hazard
FOR LAMP HOLDER 600V.WIRE 600V