

ERS_HUX

勝特力材料 886-3-5753170
 勝特力电子(上海) 86-21-54151736
 勝特力电子(深圳) 86-755-83298787
[Http://www.100y.com.tw](http://www.100y.com.tw)

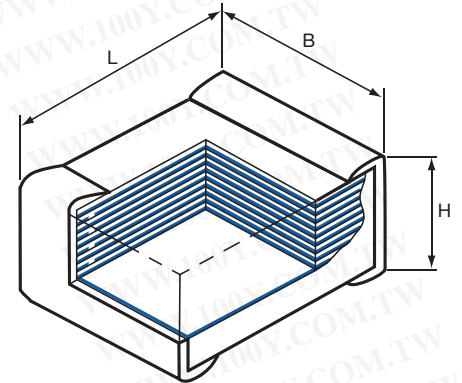
- Metallized polyphenylene sulphide (PPS) stacked film SMD

TYPICAL APPLICATIONS

General purpose coupling, bypass, filtering, timing, time constant, oscillation circuits. Suitable for filters in PLL circuits.

CONSTRUCTION

Metallized polyphenylene sulphide (PPS) non-encapsulated stacked film capacitor.



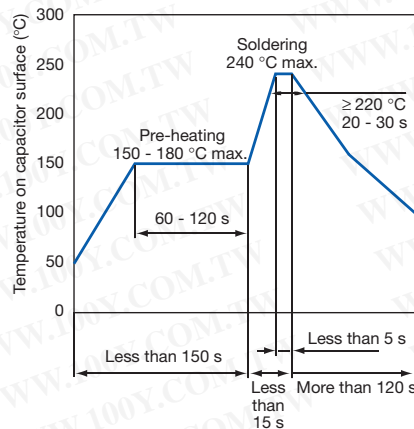
TECHNICAL DATA

Rated voltage U_R VDC	10	16	50
	U_R VAC	7	11
Capacitance range, μF	0.0033 - 0.027	0.0001 - 0.1	0.0001 - 0.039
	Capacitance tolerance	$\pm 2\%$, $\pm 5\%$	
	Rated temperature	+125°C	
Category temperature range	-55 to +125°C		
Test voltage	1.75 x U_R , 1 to 5 s, between terminals		
Insulation resistance	$C \leq 0.33 \mu\text{F}$	$\geq 3000 \text{ M}\Omega$	
	Measured at 20 °C, 10 VDC, 60 s for $U_R = 10 \text{ VDC}$ $U_R = 16 \text{ VDC}$ and at 50 VDC for $U_R = 50 \text{ VDC}$		
Dissipation factor	$\leq 0.6\%$ at 20 °C, 1 kHz		

RECOMMENDED SOLDERING CONDITIONS

Reflow soldering

The recommended soldering conditions are given in the figure to the right. Two consecutive soldering steps are allowed when the capacitors are cooled down to room temperature between the steps. Maximum limits are 260 °C max. and 30 seconds max. at more than 230 °C; temperature at capacitor surface.



Recommended reflow soldering profile

ORDERING INFORMATION

See article table and page 10 for article code construction.

ARTICLE TABLE

Capacitance μF	Size code	Dimensions in mm			Quantity per package Reel	Max dU/dt V/ μs	Article code
		B	H	L			
10 VDC							
0.0033	0603	0.8	0.7	1.6	4000	47	ERS0603HUX332J105
0.0039	0603	0.8	0.7	1.6	4000	44	ERS0603HUX392J105
0.0047	0603	0.8	0.7	1.6	4000	40	ERS0603HUX472J105
0.0056	0603	0.8	0.7	1.6	4000	37	ERS0603HUX562J105
0.0068	0805	1.25	0.9	2.0	3000	34	ERS0805HUX682J105
0.0082	0805	1.25	0.9	2.0	3000	31	ERS0805HUX822J105
0.010	0805	1.25	0.9	2.0	3000	28	ERS0805HUX103J105

ARTICLE TABLE

Capacitance μF	Size code	Dimensions in mm			Quantity per package Reel	Max dU/dt V/ μs	Article code
		B	H	L			
10 VDC							
0.012	0805	1.25	0.9	2.0	3000	26	ERS0805HUX123J105
0.015	0805	1.25	0.9	2.0	3000	24	ERS0805HUX153J105
0.018	0805	1.25	0.9	2.0	3000	22	ERS0805HUX183J105
0.022	0805	1.25	1.1	2.0	3000	20	ERS0805HUX223J105
0.027	0805	1.25	1.1	2.0	3000	18	ERS0805HUX273J105
16 VDC							
0.00010	0603	0.8	0.7	1.6	4000	420	ERS0603HUX101J165
0.00012	0603	0.8	0.7	1.6	4000	390	ERS0603HUX121J165
0.00015	0603	0.8	0.7	1.6	4000	350	ERS0603HUX151J165
0.00018	0603	0.8	0.7	1.6	4000	325	ERS0603HUX181J165
0.00022	0603	0.8	0.7	1.6	4000	295	ERS0603HUX221J165
0.00027	0603	0.8	0.7	1.6	4000	270	ERS0603HUX271J165
0.00033	0603	0.8	0.7	1.6	4000	245	ERS0603HUX331J165
0.00039	0603	0.8	0.7	1.6	4000	225	ERS0603HUX391J165
0.00047	0603	0.8	0.7	1.6	4000	205	ERS0603HUX471J165
0.00056	0603	0.8	0.7	1.6	4000	193	ERS0603HUX561J165
0.00068	0603	0.8	0.7	1.6	4000	175	ERS0603HUX681J165
0.00082	0603	0.8	0.7	1.6	4000	160	ERS0603HUX821J165
0.0010	0603	0.8	0.7	1.6	4000	150	ERS0603HUX102J165
0.0012	0603	0.8	0.7	1.6	4000	135	ERS0603HUX122J165
0.0015	0603	0.8	0.7	1.6	4000	123	ERS0603HUX152J165
0.0018	0603	0.8	0.7	1.6	4000	115	ERS0603HUX182J165
0.0022	0603	0.8	0.7	1.6	4000	105	ERS0603HUX222J165
0.0027	0603	0.8	0.7	1.6	4000	95	ERS0603HUX272J165
0.0033	0805	1.25	0.9	2.0	3000	86	ERS0805HUX332J165
0.0039	0805	1.25	0.9	2.0	3000	80	ERS0805HUX392J165
0.0047	0805	1.25	0.9	2.0	3000	74	ERS0805HUX472J165
0.0056	0805	1.25	0.9	2.0	3000	68	ERS0805HUX562J165
0.0068	0805	1.25	0.9	2.0	3000	62	ERS0805HUX682J165
0.0082	0805	1.25	1.1	2.0	3000	58	ERS0805HUX822J165
0.010	0805	1.25	1.1	2.0	3000	52	ERS0805HUX103J165
0.012	1206	1.6	0.9	3.2	3000	48	ERS1206HUX123J165
0.015	1206	1.6	0.9	3.2	3000	43	ERS1206HUX153J165
0.018	1206	1.6	0.9	3.2	3000	40	ERS1206HUX183J165
0.022	1206	1.6	0.9	3.2	3000	37	ERS1206HUX223J165
0.027	1206	1.6	1.1	3.2	3000	33	ERS1206HUX273J165
0.033	1206	1.6	1.1	3.2	3000	31	ERS1206HUX333J165
0.039	1206	1.6	1.5	3.2	2000	28	ERS1206HUX393J165
0.047	1206	1.6	1.5	3.2	2000	26	ERS1206HUX473J165
0.056	1210	2.5	1.5	3.2	2000	24	ERS1210HUX563J165
0.068	1210	2.5	1.5	3.2	2000	22	ERS1210HUX683J165
0.082	1210	2.5	2.1	3.2	2000	20	ERS1210HUX823J165
0.10	1210	2.5	2.1	3.2	2000	19	ERS1210HUX104J165
50 VDC							
0.0001	0805	1.25	0.9	2.0	3000	1100	ERS0805HUX101J505
0.00012	0805	1.25	0.9	2.0	3000	1050	ERS0805HUX121J505
0.00015	0805	1.25	0.9	2.0	3000	940	ERS0805HUX151J505
0.00018	0805	1.25	0.9	2.0	3000	890	ERS0805HUX181J505
0.00022	0805	1.25	0.9	2.0	3000	800	ERS0805HUX221J505
0.00027	0805	1.25	0.9	2.0	3000	730	ERS0805HUX271J505
0.00033	0805	1.25	0.9	2.0	3000	690	ERS0805HUX331J505
0.00039	0805	1.25	0.9	2.0	3000	610	ERS0805HUX391J505
0.00047	0805	1.25	0.9	2.0	3000	580	ERS0805HUX471J505
0.00056	0805	1.25	0.9	2.0	3000	520	ERS0805HUX561J505
0.00068	0805	1.25	0.9	2.0	3000	480	ERS0805HUX681J505
0.00082	0805	1.25	0.9	2.0	3000	440	ERS0805HUX821J505
0.0010	0805	1.25	0.9	2.0	3000	400	ERS0805HUX102J505
0.0012	0805	1.25	0.9	2.0	3000	370	ERS0805HUX122J505
0.0015	0805	1.25	0.9	2.0	3000	340	ERS0805HUX152J505

ARTICLE TABLE

Capacitance μF	Size code	Dimensions in mm			Quantity per package Reel	Max dU/dt $\text{V}/\mu\text{s}$	Article code
		B	H	L			
50 VDC							
0.0018	0805	1.25	0.9	2.0	3000	310	ERS0805HUX182J505
0.0022	0805	1.25	0.9	2.0	3000	270	ERS0805HUX222J505
0.0027	0805	1.25	0.9	2.0	3000	260	ERS0805HUX272J505
0.0033	1206	1.6	0.9	3.2	3000	240	ERS1206HUX332J505
0.0039	1206	1.6	0.9	3.2	3000	220	ERS1206HUX392J505
0.0047	1206	1.6	0.9	3.2	3000	200	ERS1206HUX472J505
0.0056	1206	1.6	0.9	3.2	3000	190	ERS1206HUX562J505
0.0068	1206	1.6	0.9	3.2	3000	170	ERS1206HUX682J505
0.0082	1206	1.6	1.1	3.2	3000	160	ERS1206HUX822J505
0.010	1206	1.6	1.1	3.2	3000	145	ERS1206HUX103J505
0.012	1210	2.5	1.1	3.2	2000	135	ERS1210HUX123J505
0.015	1210	2.5	1.1	3.2	2000	120	ERS1210HUX153J505
0.018	1210	2.5	1.5	3.2	2000	110	ERS1210HUX183J505
0.022	1210	2.5	1.5	3.2	2000	100	ERS1210HUX223J505
0.027	1210	2.5	1.5	3.2	2000	94	ERS1210HUX273J505
0.033	1210	2.5	2.1	3.2	2000	86	ERS1210HUX333J505
0.039	1210	2.5	2.1	3.2	2000	78	ERS1210HUX393J505