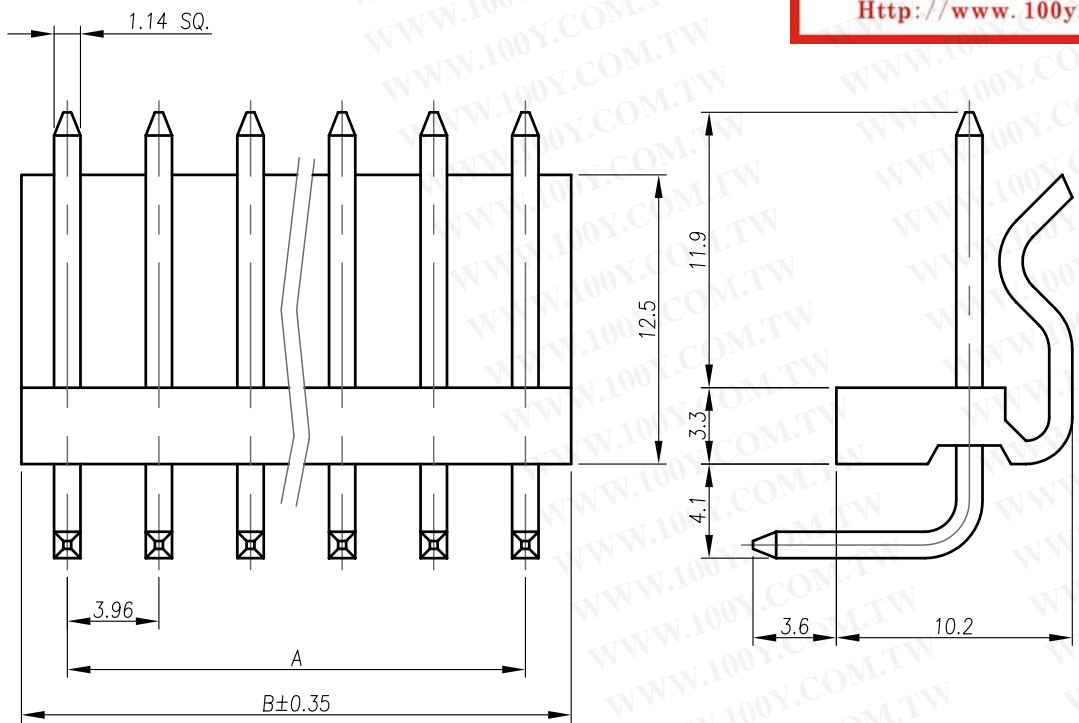


| | | | | | | | | | | |
|-----------------|------------|------------------|---|---|---|---|-----|--------------|------|------|
| 1 | 2 | 3 | 4 | 5 | 6 | 7 | 8 | | | |
| PART NO. | COLOR | MATERIAL | <div style="border: 2px solid red; padding: 5px; text-align: center;"> <p>勝特力材料 886-3-5753170 勝特力电子(上海) 86-21-54151736 勝特力电子(深圳) 86-755-83298787 Http://www.100y.com.tw</p> </div> | | | | REV | MODIFICATION | DATE | DRAW |
| MPHRN-1XXT1WA10 | WHITE | NYLON 66 UL94V-2 | | | | | | | | |
| MPHRN-1XXT1MA10 | MILK WHITE | NYLON 66 UL94V-0 | | | | | | | | |



NOTES:
 MATERIAL: NYLON 66 + BRASS
 FINISH: TIN PLATED

ORDER INFORMATION
 MPH R N - 1 XX T1 X A10
 ROW NO. _____
 PIN NO. _____

COLOR:
 B:BLACK
 W:WHITE
 M:MILK WHITE

PLATING:
 T1:TIN PLATING
 01:GOLD FLASH
 05:5u" GOLD PLATING

| PIN. NO. | Dimension | | PIN. NO. | Dimension | |
|----------|-----------|-------|----------|-----------|-------|
| | A | B | | A | B |
| 2 | 3.96 | 7.92 | 12 | 43.56 | 47.52 |
| 3 | 7.92 | 11.88 | 13 | 47.52 | 51.48 |
| 4 | 11.88 | 15.84 | 14 | 51.48 | 55.44 |
| 5 | 15.84 | 19.80 | 15 | 55.44 | 59.40 |
| 6 | 19.80 | 23.76 | 16 | 59.40 | 63.36 |
| 7 | 23.76 | 27.72 | 17 | 63.36 | 67.32 |
| 8 | 27.72 | 31.68 | 18 | 67.32 | 71.28 |
| 9 | 31.68 | 35.64 | 19 | 71.28 | 75.24 |
| 10 | 35.64 | 39.60 | 20 | 75.24 | 79.20 |
| 11 | 39.60 | 43.56 | | | |

| | | | |
|--------------------------------------|-------------|-----------------------------|-------------------------|
| DIMENSION IN mm [Inch] | PROD. SPEC. | C | |
| TOLERANCE UNLESS OTHERWISE SPECIFIED | PKG. SPEC. | 3.96mm PITCH DISCONNECTABLE | |
| .X±0.35 | X.*± | APPROVE | CUSTOMER DRAWING |
| .XX±0.1 | .X.*± | CHECK | |
| .XXX± | .XX.*± | DRAW | FILE NO. |
| | | | DWG NO. MPHNR-1XXT1XA10 |
| | | | PROJ. |
| | | | SHEET 1 / 1 |
| | | | SCALE 3:1 |
| | | | REV A |