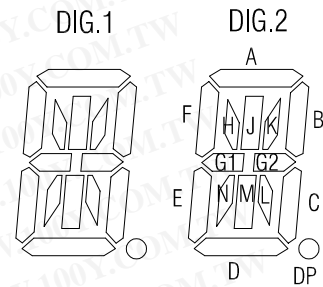
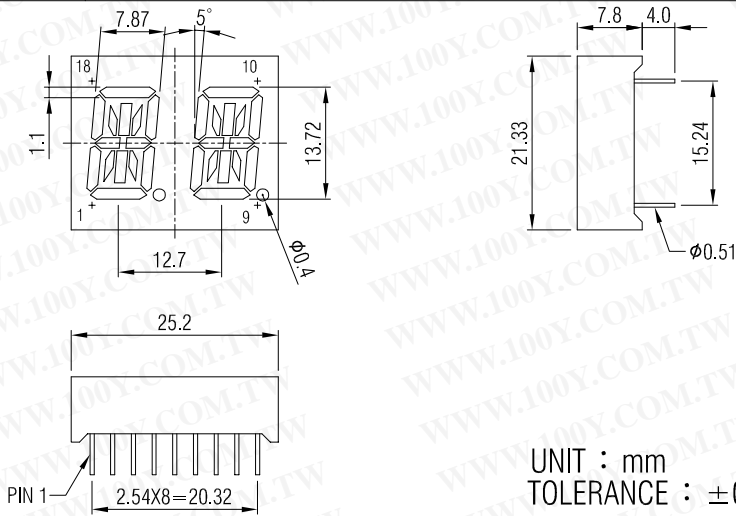


# JOINSCAN LEDs

D.54K 0.54 INCH (13.72mm) DUAL DIGIT ALPHANUMERIC DISPLAY 25.2 X 21.33 X 7.8mm

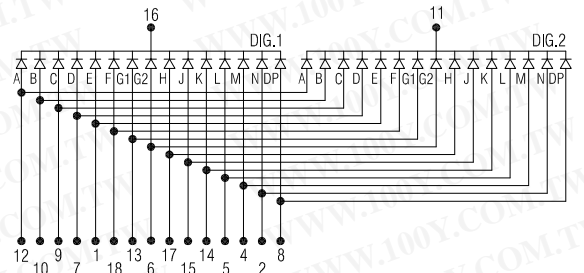
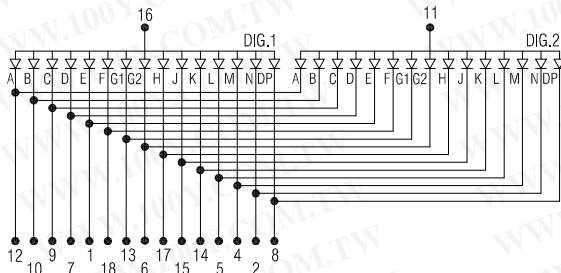


勝特力材料 886-3-5753170  
 勝特力电子(上海) 86-21-34970699  
 勝特力电子(深圳) 86-755-83298787  
[Http://www.100y.com.tw](http://www.100y.com.tw)

UNIT : mm  
 TOLERANCE : ±0.2mm

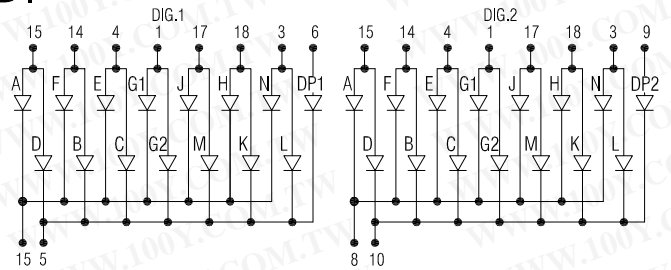
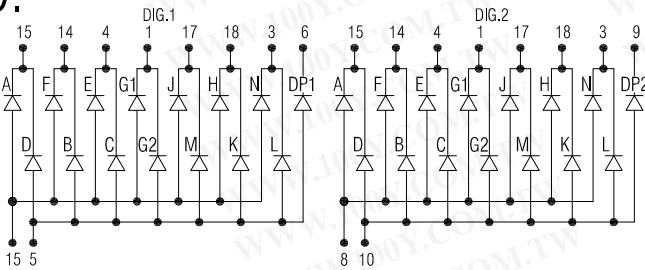
A. E542K SERIES

B. F542K SERIES



C. E542H SERIES

D. F542H SERIES



PIN 2, 7, 11, 13, 16 NO CONNECTION

PIN 2, 7, 11, 13, 16 NO CONNECTION

PIN FUNCTION	COLOR	COMMON ANODE			COMMON CATHODE			WAVE LENGTH (nm)	IR MAX (uA) VR=5V	VF (V) IF=20mA	LUMINOUS INTENSITY IF=20mA
		A model no.	C model no.	E model no.	B model no.	D model no.	F model no.				
GaP	RED	E542KH	E542HH		F542KH	F542HH		695	100	2.2	0.6mcd
GaAsP	ORANGE RED	E542KO	E542HO		F542KO	F542HO		635	100	2.0	4.0mcd
GaP	GREEN	E542KG	E542HG		F542KG	F542HG		570	100	2.2	4.5mcd
Gap	Yellow	E542KY	E542HY		F542KY	F542HY		600	100	2.2	4.0mcd
GaAIAs	SUPER RED	E542KRS	E542HRS		F542KRS	F542HRS		650	100	1.8	8.0mcd
GaAIAs	ULTRA RED										
GaAIAs	YELLOW GREEN										
Sic	BLUE	E542KSF	E542HSF		F542KSF	F542HSF		465±5	100	3.6	30mcd
ZnSe	WHITE										

Model No. -BW BLACK SURFACE WHITE SEGMENT  
 -BR BLACK SURFACE RED SEGMENT  
 -GW GRAY SURFACE WHITE SEGMENT

Remark :

1. Typical forward current 10~20mA, MAXimum forward current 25mA
2. Solder Temperature 1.6mm Below Seating plane less 5 seconds at 260°C +5°C -30°C
3. Peak Foward current Per Dice, Duty cycle 1/10, 10KHZ, MAXimum 120mA
4. Operating Temperature From -25°C to 85°C
5. RoHS COMPLIANT

REV : C