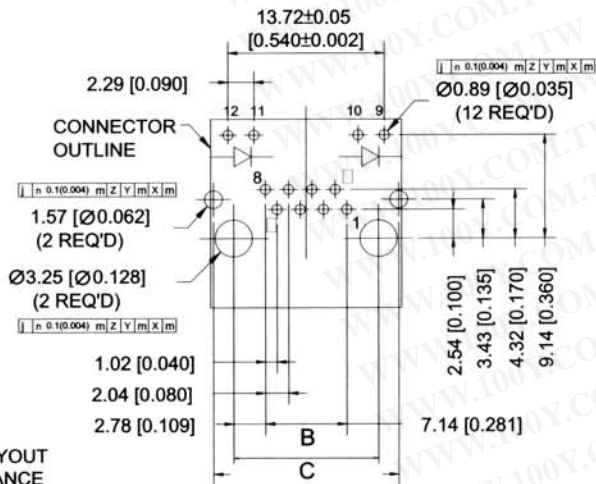
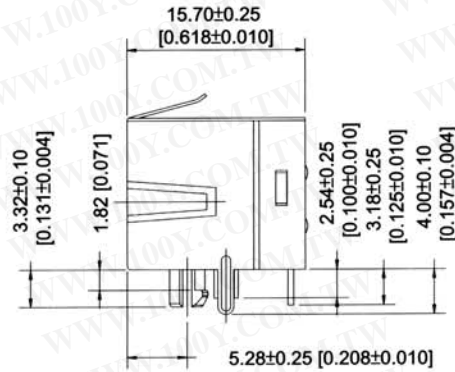
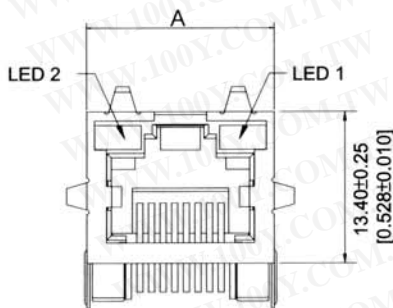
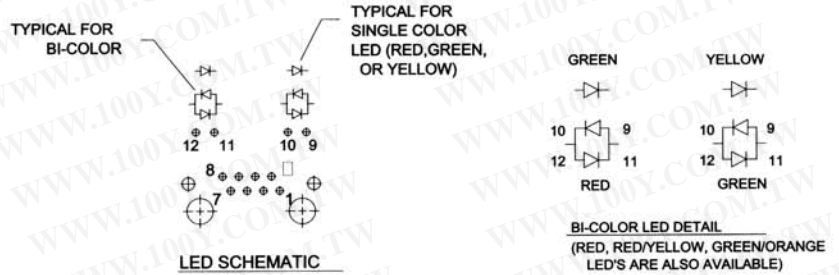
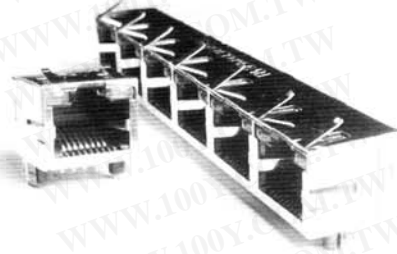


勝特力材料 886-3-5753170
 勝特力电子(上海) 86-21-54151736
 勝特力电子(深圳) 86-755-83298787
 Http://www.100y.com.tw

RJ45 Jack W/LED

FJ-610S SERIES



SUGGESTED PCB LAYOUT

MATERIAL: HOUSTNG-PBT POLYESTER UL94VO
 COLOR-BLACK

CONTACTS- 0.35mm THICKNESS ALLOY
 SELECTIVE GOLD PLATING

SHIELD-0.25mm THICKNESS COPPER
 ALLOY WITH NICKEL PLATED

UL.CUL File No.:E16003

LED Color Options Table

LED Color Options		LED DASH OPTION
Position 2(Left)	Position 1(Right)	
No LED	No LED	0
Yellow	Green	1
No LED	Green	2
Yellow	No LED	3
Green	Yellow	4
Green	Green	5
Yellow	Yellow	6
Orange/Green	Orange/Green	7
Yellow/Green	Yellow/Green	8
Orange/Green	Yellow	9

Port	1X1	1X2	1X4	1X6	1X8
A	16.45	32.20	63.70	95.20	126.70
B	12.70	28.45	59.95	91.45	122.95
C	16.26	32.00	63.50	95.00	126.50