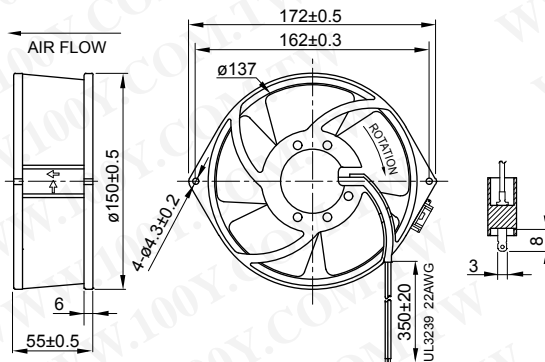


UF15K(MR) Series

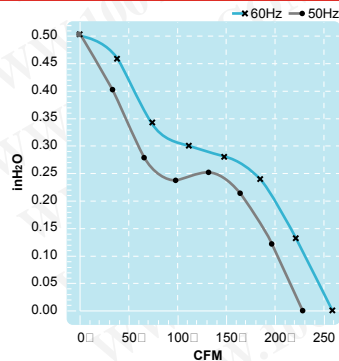
Size: 172 x 150 x 55

Unit: mm

☐ Metal Impeller



胜特力材料 886-3-5753170
 胜特力电子(上海) 86-21-54151736
 胜特力电子(深圳) 86-755-83298787
[Http://www.100y.com.tw](http://www.100y.com.tw)



Thermal Protection

Terminal or Lead Wire Type



Spec. Model	Rated Voltage V	Frequency Hz	Input Power W	Rated Current A	Locked Current A	Speed RPM	Maximum Air Flow m ³ /min.	Maximum Air Flow CFM	Maximum Pressure mmH ₂ O	Maximum Pressure InchH ₂ O	Noise dB	Weight kg
UF15KMR10-H	100V	50	43	0.60	1.03	2750	6.4	225	12.5	0.50	58	1.10
		60	43	0.57	0.86	3150	7.2	255	12.5	0.50	61	
UF15KMR11-H	115V	50	45	0.54	0.90	2750	6.4	225	12.5	0.50	58	1.10
		60	45	0.51	0.80	3150	7.2	255	12.5	0.50	61	
UF15KMR20-H	200V	50	43	0.30	0.50	2750	6.4	225	12.5	0.50	58	1.10
		60	43	0.28	0.43	3150	7.2	255	12.5	0.50	61	
UF15KMR23-H	230V	50	45	0.27	0.44	2750	6.4	225	12.5	0.50	58	1.10
		60	45	0.25	0.38	3150	7.2	255	12.5	0.50	61	