

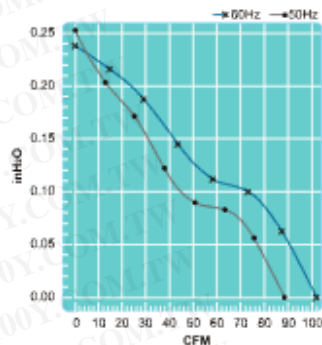
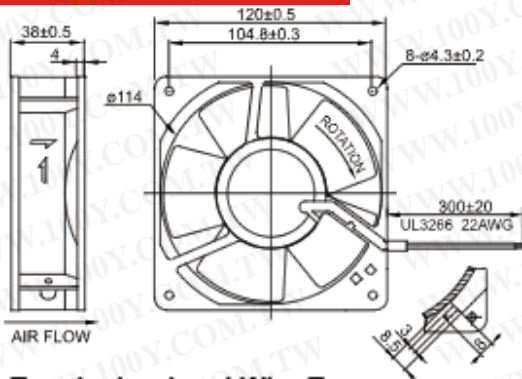
勝特力材料 886-3-5753170
 勝特力电子(上海) 86-21-54151736
 勝特力电子(深圳) 86-755-83298787
[Http://www.100y.com.tw](http://www.100y.com.tw)

UF12A(M) Series

• Metal Impeller



Size : 120 x 120 x 38
 Unit : mm



Impedance Protection

Terminal or Lead Wire Type



Spec.	Rated Voltage	Frequency	Input Power	Rated Current	Locked Current	Speed	Maximum Air Flow	Maximum Air Flow	Maximum Pressure	Maximum Pressure	Noise	Weight
Model	V	Hz	W	A	A	RPM	m ³ /min.	CFM	mmHgO	InchHgO	dB	kg
UF12AM10-H	100V	50	18	0.26	0.34	2700	2.5	89	6.5	0.26	42	0.55
		60	17	0.23	0.30	3100	2.9	103	6.0	0.24	46	
UF12AM11-H	115V	50	15	0.17	0.25	2700	2.5	89	6.5	0.26	42	0.55
		60	13	0.15	0.22	3100	2.9	103	6.0	0.24	46	
UF12AM20-H	200V	50	18	0.13	0.17	2700	2.5	89	6.5	0.26	42	0.55
		60	17	0.11	0.15	3100	2.9	103	6.0	0.24	46	
UF12AM23-H	230V	50	17	0.10	0.13	2700	2.5	89	6.5	0.26	42	0.55
		60	15	0.09	0.12	3100	2.9	103	6.0	0.24	46	