



勝特力材料 886-3-5753170
 勝特力电子(上海) 86-21-54151736
 勝特力电子(深圳) 86-755-83298787
 Http://www.100y.com.tw

GE SERIES

HIGH PERFORMANCE IEC CONNECTOR FILTERS



INTRODUCTIONS

1. A high performance general purpose filter with an IEC connector providing effective EMI suppression.
2. Bleeder resistor can be added for "G3E", "W3E", "G3S" & "G3C" types with suffix "-R" on part numbers.
3. Safety Approval: EG3H, EW3V: UL, CSA, VDE & SEV
 EG3V & EG3Q: UL, CSA & VDE
 HG3J: UL, CSA, VDE & SEMKO
 20GE: UL, CSA & VDE
4. With optional Y-Cap 3300pF.

SPECIFICATIONS

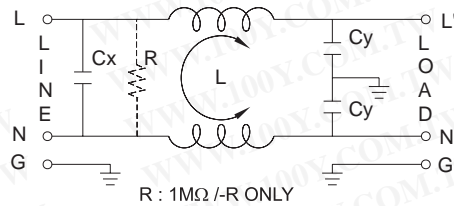
1. Maximum leakage current each line-to-ground @ 115VAC 60Hz: 0.25mA @ 250VAC 50Hz: 0.45mA
2. Hipot rating (one minute)
 line-to-ground: 2250VDC
 line-to-line: 1450VDC
3. Operating frequency: 50/60Hz
4. Rated voltage: 115/250VAC

COMPONENTS

PART NO.	Cx (uF)	L (mH)	Cy (pF)	R (Ω)
01GEEG3E/W3E/-R	0.1	6.5	2200	1M
01GEEG3H/G3V/W3V		3	3300	-
01GEEG3S/-R		10.5	-	1M
03GEEG3E/W3E/W3ES/-R		2.5	2200	-
•03GEEW3ES/-R			3300	-
03GEEG3H/G3V/W3V		4	-	1M
03GEEG3S/-R			2200	-
•03GEEG3Q/W3Q/-R		2.4	-	-
03GEEW3J			2200	-
03GEHG3J		0.8	-	1M
06GEEG3E/W3E/W3ES/-R			3300	-
06GEEG3H/G3V/W3V		1.05	-	-
06GEEG3S/-R			1.5	-
••06GEEG3Q/W3Q/-R		0.4	-	1M
•••10GEEG3C/W3C/-R			0.2	2200
10GEEG3E/W3E/W3ES/-R		0.3	-	-
10GEEG3S/-R			0.2	-
*10GEEG3Q/W3Q/-R		0.3	-	-
**15GEEG3E/W3E/-R		0.2	-	-
***20GEEG3E/W3E/-R		0.3	-	-

•UL, CSA approved to 4A 115/250V *UL, CSA approved to 13A 115/250V
 ••UL, CSA approved to 8A 115/250V **VDE approved to 10A/250V
 •••VDE approved to 8A/250V ***VDE approved to 16A/250V

ELECTRICAL SCHEMATIC

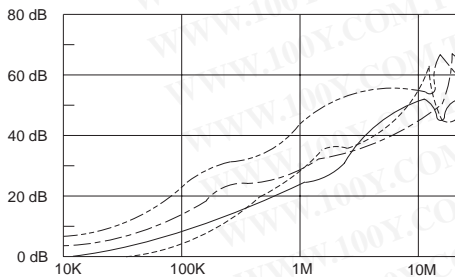


MINIMUM INSERTION LOSS IN dB

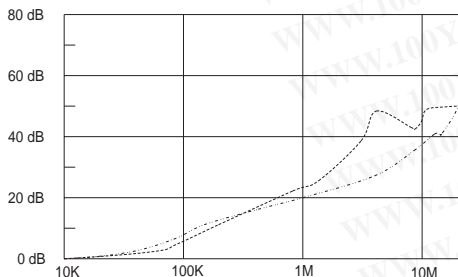
CURRENT RATING	COMMON MODE (L-G) IN 50 OHM SYSTEM					
	FREQUENCY-MHz					
	.15	.50	1.0	5.0	10	30
1A(E)(S)	28	35	38	38	40	40
1A(H)	26	36	44	54	55	55
1A(G3V)	20	30	35	40	40	40
1A(W3V)	24	35	42	50	55	55
3A(E)(S)(Q)	20	25	30	38	40	40
3A(H)	24	30	38	50	55	55
3A(G3J,W3J)	20	25	30	38	40	40
3A(G3V)(W3V)	20	29	36	48	46	50
6A(E)(S)	12	18	24	35	40	40
6A(H)	15	25	32	45	50	50
6A(Q)	15	20	20	35	40	55
6A(G3V)(W3V)	14	23	30	42	35	40
10A(E)(S)	4	10	13	28	35	40
10A(C)	10	15	15	25	30	35
10A(Q)	10	12	15	30	32	45
15A(E)	4	10	13	28	35	40
20A	8	10	15	25	30	35

INSERTION LOSS (TYPICAL)

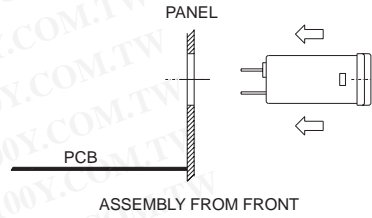
03GEEG3E ----- COMMON MODE ----- DIFF. MODE
 06GEEG3E ----- COMMON MODE ----- DIFF. MODE



20GEEG3E ----- COMMON MODE ----- DIFF. MODE



勝特力材料 886-3-5753170
 勝特力电子(上海) 86-21-54151736
 勝特力电子(深圳) 86-755-83298787
[Http://www.100y.com.tw](http://www.100y.com.tw)



MECHANICAL CONSTRUCTION



EG3E, EG3Q (Optional soldering lug or wire type)



EG3S



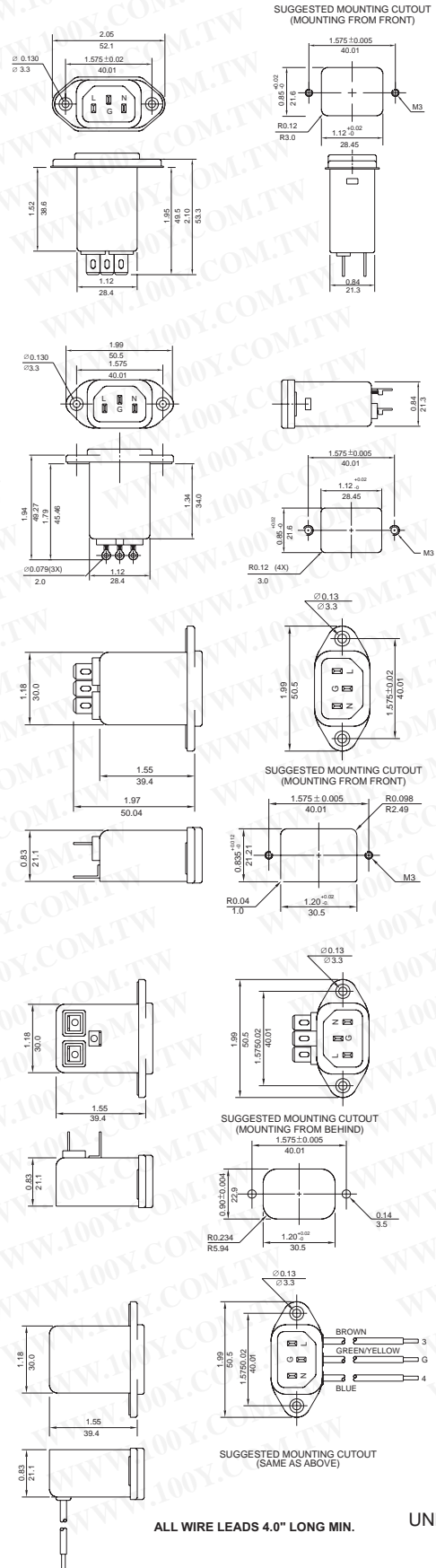
EG3H



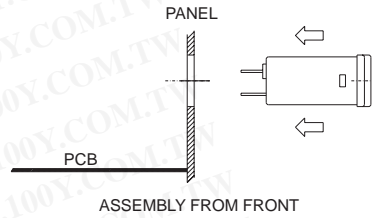
EG3V



EW3V

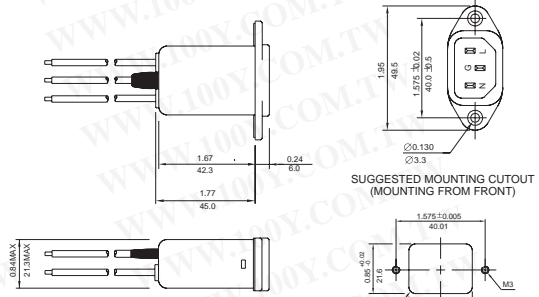


勝特力材料 886-3-5753170
 勝特力电子(上海) 86-21-54151736
 勝特力电子(深圳) 86-755-83298787
[Http://www.100y.com.tw](http://www.100y.com.tw)

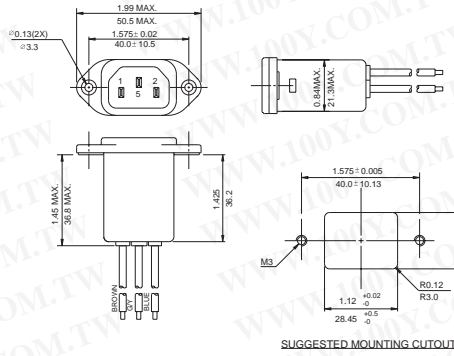


MECHANICAL CONSTRUCTION

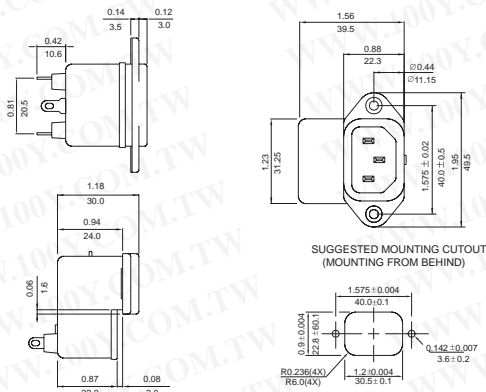
EW3J



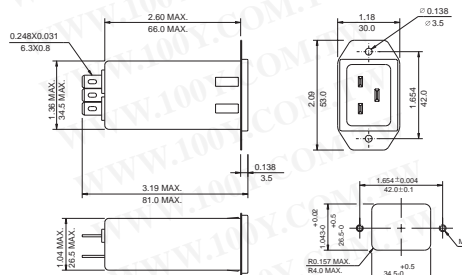
EW3ES



HG3J



20GEEG3E (Optional wire type)



ALL WIRE LEADS 4.0" LONG MIN. SUGGESTED MOUNTING CUTOUT (MOUNTING FROM REVERSE) UNIT: INCH/mm