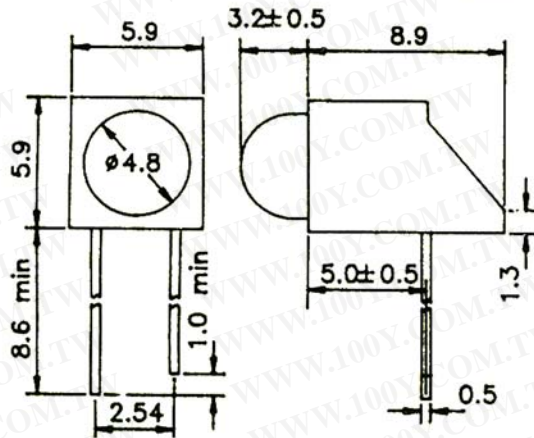


4.8 mm LED HOLDER LAMP



勝特力材料 886-3-5753170
 勝特力电子(上海) 86-21-54151736
 勝特力电子(深圳) 86-755-83298787
[Http://www.100y.com.tw](http://www.100y.com.tw)

LENS TYPE	DIFFUSION	TRANSPARENCY	WAVE LENGTH	IR MAX	VF(V) TYP	INTENSITY (mcd)			
DICE	COLOR	COLORED	MILKY	COLORED	COLORLESS	①IF=20mA	②VR=5V	③IF=20mA	④IF=10mA
Gap	GREEN	H401GD		H401GT		565 nm	100uA	2.2V	7.6
Gap	YELLOW	H401YD		H401YT		600 nm	100uA	2.1V	10
GaAsp/Gap	ORANGE					635 nm	100uA	2.0V	
GaAsp	RED					655 nm	100uA	1.7V	
Gap	RED	H401HD		H401HT		695 nm	100uA	2.2V	3.0
GaAsp/Gap	RED	H401ED		H401ET		635 nm	100uA	2.0V	13
GaAlAs	RED			H401SC		660 nm	100uA	1.8V	500
GaAlAs	RED			H401UC		660 nm	100uA	1.8V	800
GaAlAs	RED			H401ZC		660 nm	100uA	1.8V	1500

UNIT:mm