

0510 SADDLE TYPE TIE MOUNT

勝特力材料 886-3-5753170
勝特力电子(上海) 86-21-54151736
勝特力电子(深圳) 86-755-83298787
[Http://www.100y.com.tw](http://www.100y.com.tw)



Material: UL approved Nylon 66, 94V-2

To apply with KSS nylon cable ties:

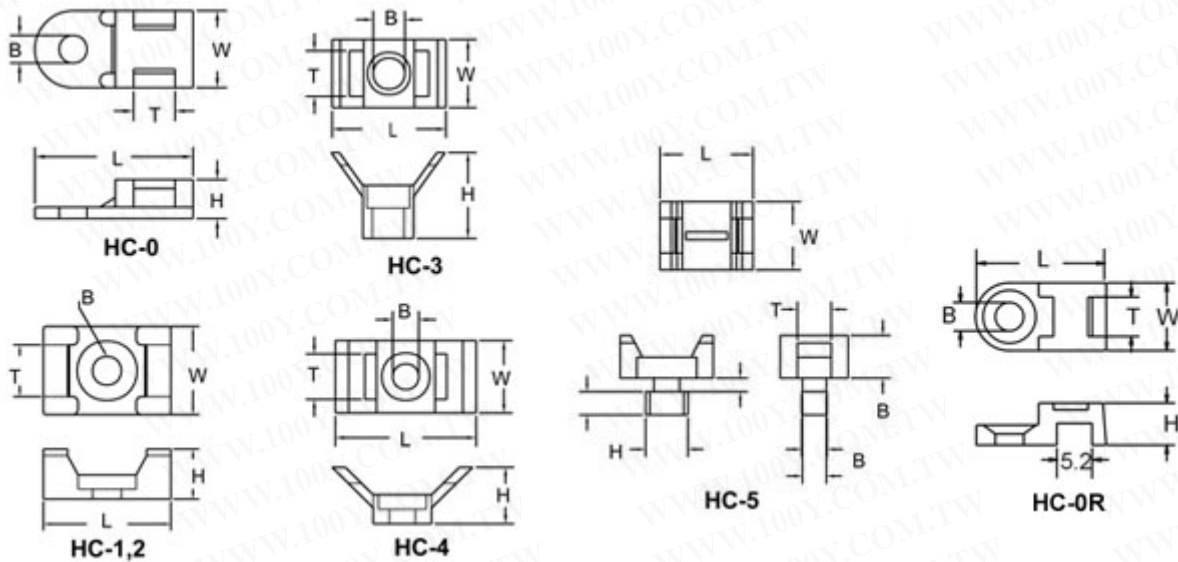
HC-0: CV-075, 094, ... 280, 310

HC-1: CV-075, 094, ... 280, 310

HC-2: All applicable sizes



Saddle design provide maximum stability to wire bundles.

To apply, simply fix mount with a screw and secure wire bundles with KSS nylon cable ties.



Unit:mm



| ITEM No. | H | L | W | T | B | Packing |
|--|------|------|------|-----|---------|---------|
| □HC-0 | 5 | 19 | 9.5 | 5 | 3.4 | 100pcs |
|  □HC-0L | 5 | 19 | 9.5 | 5 | 5.2 | |
|  □HC-0R | 6.2 | 19.1 | 10 | 5.4 | 4.2 | |
| □HC-1 | 7 | 15 | 10 | 5 | 3 | |
| □HC-2S | 9 | 23 | 16 | 9 | 5 | |
| □HC-2 | 9 | 23 | 16 | 9 | 6 | |
| □HC-2L | 9 | 23 | 16 | 9 | 6.5 | |
| □HC-3 | 17.5 | 23 | 13.8 | 9.5 | 5.3 | |
| □HC-4 | 11.6 | 30 | 14.7 | 9.3 | 5.2 | |
| □HC-5 | 9.7 | 21.3 | 15.5 | 7.8 | 5.8x9.7 | |