

## HCV 05 SERIES

- **Features**

As well as applications to small sized electronic apparatus, this series is designed for easy handling and is available with a variety of adjustment method (top, bottom, side and double sides)

- . wide mounting sizes and type of adjustment available.

- . lots of capacity ranges, 2pF through 90pF

- . sturdy mechanical structure against vibration or shock.



- **Recommended Applications**

1. VHF communication equipment.

2. Measuring equipment.

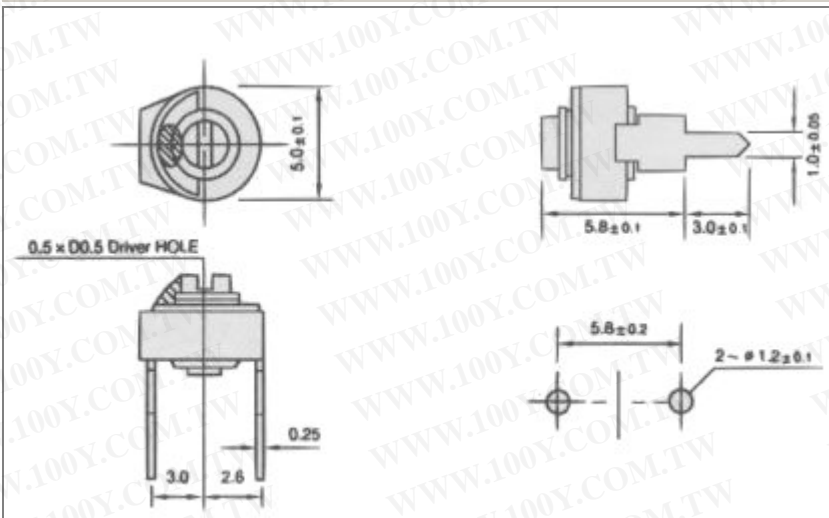
- **Ratings and Characteristics**

Part No.	Capacitance(pF)		Q 1MHz. C max.	Temp.Coeff. ppm/°C	Remarks
	min.	max.			
HCV 05 A 030	less than 1.0	3.0 +100% - 0%	300min.	NPO±250	
HCV 05 A 050	2.0	6.0 +100% - 0%			
HCV 05 C 100	3.0	10.0 +100% - 0%		N750±250	
HCV 05 C 200	4.8	20.0 +100% -0%			
HCV 05 E 300	5.5	30.0 +50% -0%	200min	N1000±500	
HCV 05 F 400	6.8	40.0 +50% -10%			
HCV 05 F 500	9.8	50.0 +50% -10%		N2200±800	
HCV 05 F 600	12.0	60.0 +50% -10%			
HCV 05 F 700	14.0	70.0 +50% -10%			

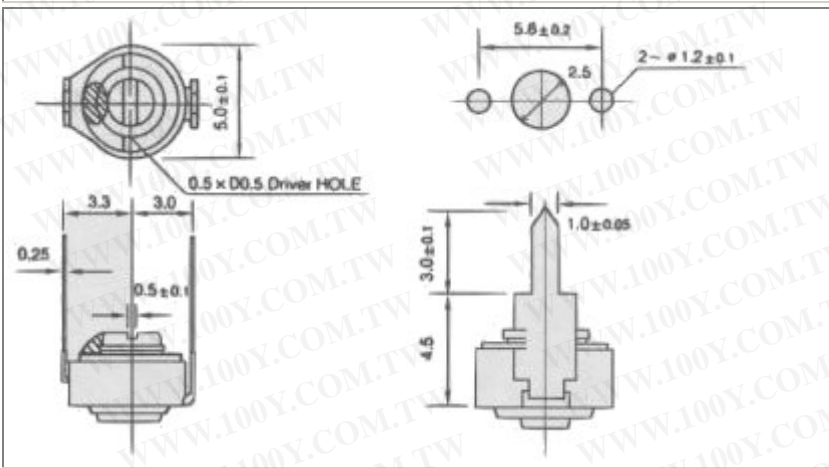
勝特力材料 886-3-5753170  
 勝特力电子(上海) 86-21-54151736  
 勝特力电子(深圳) 86-755-83298787  
[Http://www.100y.com.tw](http://www.100y.com.tw)

- Rated Voltage: 100VDC
- Insulation Resistance:  $10^4 \text{ M}\Omega\text{min}$
- Working Temperature Range:  $-25$  to  $+85^\circ\text{C}$
- Withstanding Voltage: 500 VDC
- Torque: 35~200g.cm
- Dimensions in mm (not to scale)

●NORMAL TYPE



●REAR ADJUSTING TYPE



勝特力材料 886-3-5753170  
 勝特力电子(上海) 86-21-54151736  
 勝特力电子(深圳) 86-755-83298787  
[Http://www.100y.com.tw](http://www.100y.com.tw)